



Chipsmall Limited consists of a professional team with an average of over 10 year of expertise in the distribution of electronic components. Based in Hongkong, we have already established firm and mutual-benefit business relationships with customers from,Europe,America and south Asia,supplying obsolete and hard-to-find components to meet their specific needs.

With the principle of “Quality Parts,Customers Priority,Honest Operation,and Considerate Service”,our business mainly focus on the distribution of electronic components. Line cards we deal with include Microchip,ALPS,ROHM,Xilinx,Pulse,ON,Everlight and Freescale. Main products comprise IC,Modules,Potentiometer,IC Socket,Relay,Connector.Our parts cover such applications as commercial,industrial, and automotives areas.

We are looking forward to setting up business relationship with you and hope to provide you with the best service and solution. Let us make a better world for our industry!



Contact us

Tel: +86-755-8981 8866 Fax: +86-755-8427 6832

Email & Skype: info@chipsmall.com Web: www.chipsmall.com

Address: A1208, Overseas Decoration Building, #122 Zhenhua RD., Futian, Shenzhen, China



Handle Series FG9

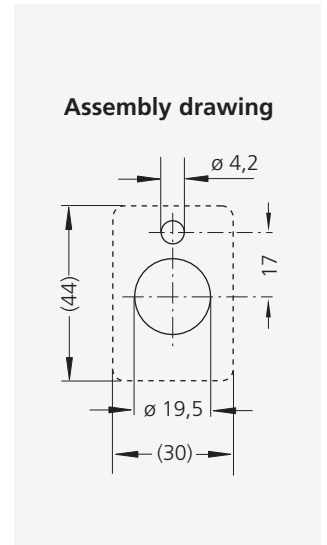
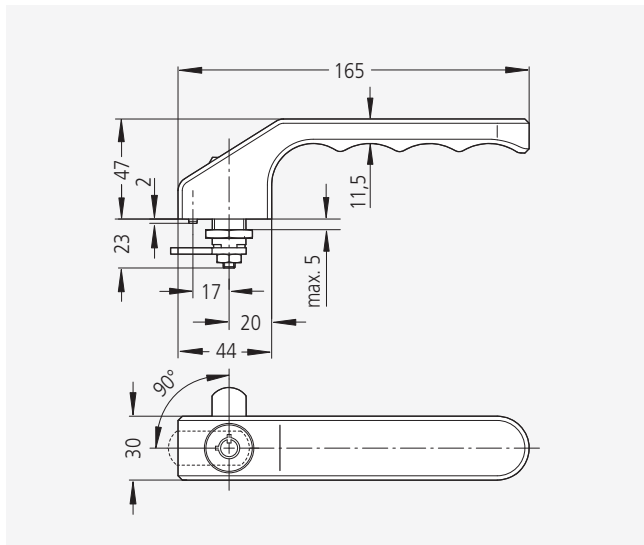
Handle lever for fastening on machines and technical installations.

Material and surface:

Aluminium AlMgSi 0.5; vibratory ground, natural colour or black anodized with dull bright finish.

Design advantages:

Mechanical lock for fastening incl. cylindrical pin $\varnothing 4 \times 10$ mm for anti-twist protection. Suitable for wall thicknesses up to 5 mm and clamping ranges up to max. 19.9 mm.



Colour version

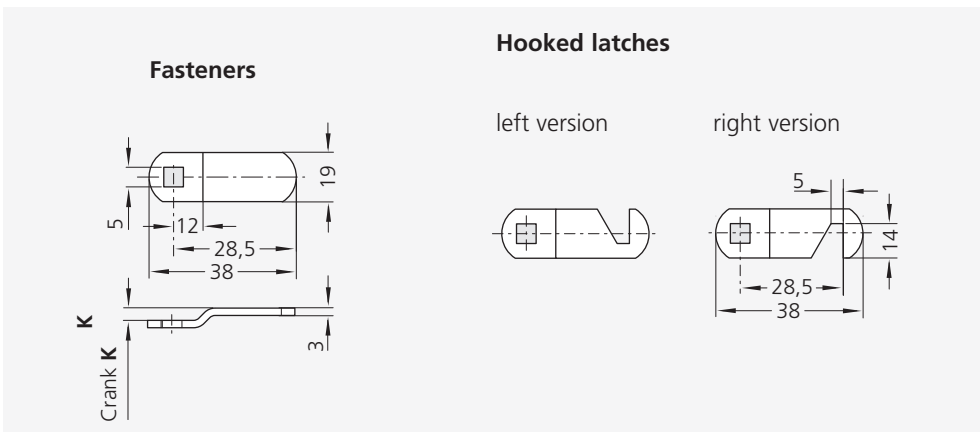
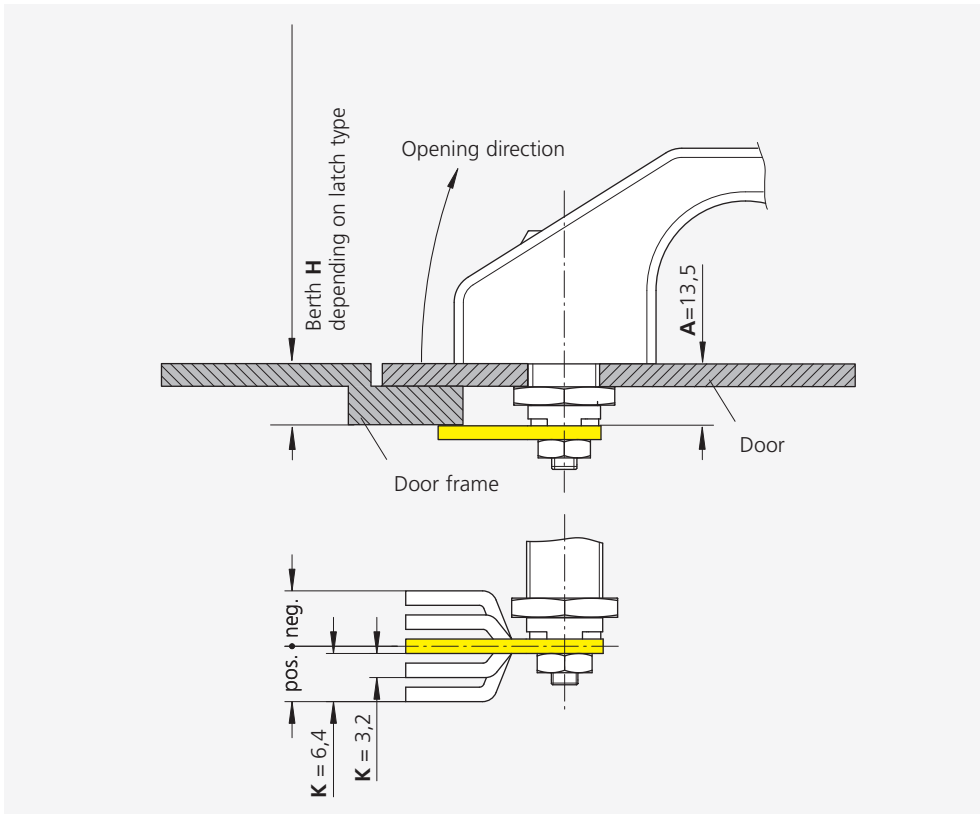
Order no.

natural colour

FG9-30.165.11

black

FG9-30.165.14



Latches for safety lock

Berth							Typ FG9-30.V	Typ FG9-30.H	
	positive			negative			Fasteners	Hooked latches left	right
A	K	H	A	K	H	Order no.	Order no.	Order no.	
13,5	+ 0,0	13,5	13,5	- 0,0	13,5	FG9-30.000.V	FG9-30.000.H	FG9-30.000.H	
13,5	+ 3,2	16,7	13,5	- 3,2	10,3	FG9-30.003.V	FG9-30.003.HL	FG9-30.003.HR	
13,5	+ 6,4	19,9	13,5	- 6,4	7,1	FG9-30.006.V	FG9-30.006.HL	FG9-30.006.HR	