



Chipsmall Limited consists of a professional team with an average of over 10 year of expertise in the distribution of electronic components. Based in Hongkong, we have already established firm and mutual-benefit business relationships with customers from,Europe,America and south Asia,supplying obsolete and hard-to-find components to meet their specific needs.

With the principle of “Quality Parts,Customers Priority,Honest Operation,and Considerate Service”,our business mainly focus on the distribution of electronic components. Line cards we deal with include Microchip,ALPS,ROHM,Xilinx,Pulse,ON,Everlight and Freescale. Main products comprise IC,Modules,Potentiometer,IC Socket,Relay,Connector.Our parts cover such applications as commercial,industrial, and automotives areas.

We are looking forward to setting up business relationship with you and hope to provide you with the best service and solution. Let us make a better world for our industry!



Contact us

Tel: +86-755-8981 8866 Fax: +86-755-8427 6832

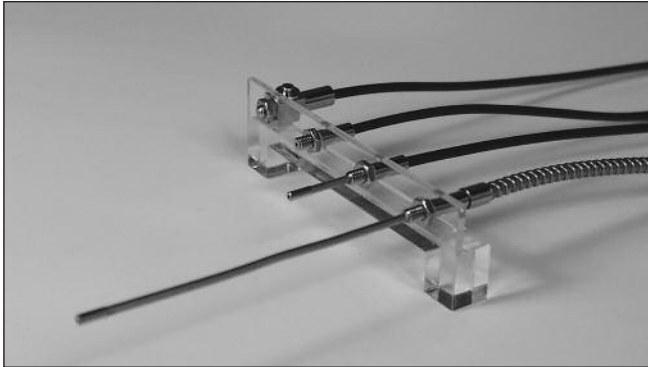
Email & Skype: info@chipsmall.com Web: www.chipsmall.com

Address: A1208, Overseas Decoration Building, #122 Zhenhua RD., Futian, Shenzhen, China



Photoelectrics Fibre Optics, Glass Types FGT, FGD

CARLO GAVAZZI



- Fibre diameter $\varnothing 1$ mm (400 x 50 μm)
- Temperature range from -25°C up to 200°C
- Bending radius 10, 20 or 30 mm
- Sheath material PVC/thermo polyolefine, metallic spiral/polyolefine or flexible INOX

Type Selection

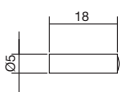
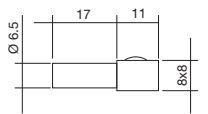
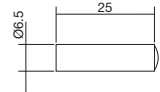
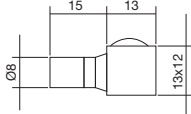
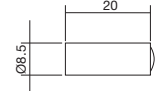
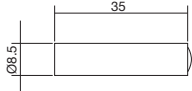
| Length [cm] | Distance ¹⁾ [mm] | Dimensions [mm] | Standard glass Ordering no. | Reinforced metal Ordering no. | High temperature Ordering no. |
|-------------------------|-----------------------------|-----------------|--|--|--|
| 60 100 150 200 | 200 200 200 200 | | FGT 01 SCM 060 FGT 01 SCM 100 FGT 01 SCM 150 FGT 01 SCM 200 | FGT 01 MCM 060 FGT 01 MCM 100 FGT 01 MCM 150 FGT 01 MCM 200 | FGT 01 TCM 060 FGT 01 TCM 100 FGT 01 TCM 150 FGT 01 TCM 200 |
| 60 100 150 200 | 80 80 80 80 | | FGD 02 SCM 060 FGD 02 SCM 100 FGD 02 SCM 150 FGD 02 SCM 200 | FGD 02 MCM 060 FGD 02 MCM 100 FGD 02 MCM 150 FGD 02 MCM 200 | FGD 02 TCM 060 FGD 02 TCM 100 FGD 02 TCM 150 FGD 02 TCM 200 |
| 60 100 | 200 200 | | FGT 03 SCM 060 | | FGT 03 TCM 100 |
| 60 100 150 200 | 80 80 80 80 | | FGD 04 SCM 060 FGD 04 SCM 100 FGD 04 SCM 150 | FGD 04 MCM 060 FGD 04 MCM 100 FGD 04 MCM 150 | FGD 04 TCM 060 FGD 04 TCM 100 FGD 04 TCM 200 |
| 60 | 200 | | FGT 05 SCM 060 | | |
| 60 100 200 | 80 80 80 | | FGD 06 SCM 060 FGD 06 SCM 100 FGD 06 SCM 200 | FGD 06 MCM 060 FGD 06 MCM 100 | FGD 06 TCM 100 FGD 06 TCM 200 |
| 60 100 150 200 | 80 80 80 80 | | FGD 07 SCM 060 FGD 07 SCM 100 FGD 07 SCM 150 FGD 07 SCM 200 | FGD 07 MCM 060 FGD 07 MCM 100 FGD 07 MCM 150 | FGD 07 TCM 060 FGD 07 TCM 100 FGD 07 TCM 150 FGD 07 TCM 200 |
| 60 100 150 200 | 200 200 200 200 | | FGT 07 SCM 060 FGT 07 SCM 100 FGT 07 SCM 150 | FGT 07 MCM 060 FGT 07 MCM 100 FGT 07 MCM 150 | FGT 07 TCM 060 FGT 07 TCM 100 FGT 07 TCM 200 |

¹⁾ Sensing distance given for a fibre length up to 1 m.

General Specifications

| | |
|---|--|
| Bending radius FG...SCM...: 10 mm FG...MCM...: 20 mm FG...TCM...: 30 mm | Sheath material FG...SCM...: PVD and thermo polyolefine FG...MCM...: Metallic spiral and polyolefine FG...TCM...: Flexible INOX |
| Temperature range FG...SCM...: -25 to +60°C (-13 to +140°F) FG...MCM...: -25 to +120°C (-13 to +248°F) FG...TCM...: -25 to +200°C (-13 to +392°F) | Fibre Diameter: Ø1 mm, 400 x 50 µm Attenuation vs. length (@ 4 m): Through beam: ≤ 20% Diffuse: ≤ 35% Attenuation vs. bending radius: r = 15 mm: ≤ 3% r = 10 mm: ≤ 15% |

Accessories - Lenses for FGT 01.. & FGD 02.. Fibre Optic

| | | | |
|---|--|---|---|
| AFGT 03 Sensing range: 800 mm  | AFGT 04 Sensing range: 800 mm  | AFGD 05 Focus point: 10 mm  | AFGT 06 Sensing range: 3000 mm  |
| AFGT 07 Sensing range: 3000 mm  | AFGD 08 Focus point: 30 mm  | | |

Ordering Key

| | |
|--|-----------------------|
| | FGT 01 SCS 200 |
| Optic Fibre _____ | |
| Fibre material _____ G Glass | |
| Fibre type _____ D Diffuse T Through-beam | |
| Sensor head 01-99 _____ Forthrunning type number | |
| Sheath material _____ S Standard glass, PVC and thermo polyolefine M Metallic spiral and polyolefine T Flexible INOX | |
| Fibre diameter _____ C 1.0 mm | |
| Core condition _____ M Multicore | |
| Fibre length 001-999 _____ cm 1 cm to 9.9 m | |