



Chipsmall Limited consists of a professional team with an average of over 10 year of expertise in the distribution of electronic components. Based in Hongkong, we have already established firm and mutual-benefit business relationships with customers from,Europe,America and south Asia,supplying obsolete and hard-to-find components to meet their specific needs.

With the principle of “Quality Parts,Customers Priority,Honest Operation,and Considerate Service”,our business mainly focus on the distribution of electronic components. Line cards we deal with include Microchip,ALPS,ROHM,Xilinx,Pulse,ON,Everlight and Freescale. Main products comprise IC,Modules,Potentiometer,IC Socket,Relay,Connector.Our parts cover such applications as commercial,industrial, and automotives areas.

We are looking forward to setting up business relationship with you and hope to provide you with the best service and solution. Let us make a better world for our industry!



Contact us

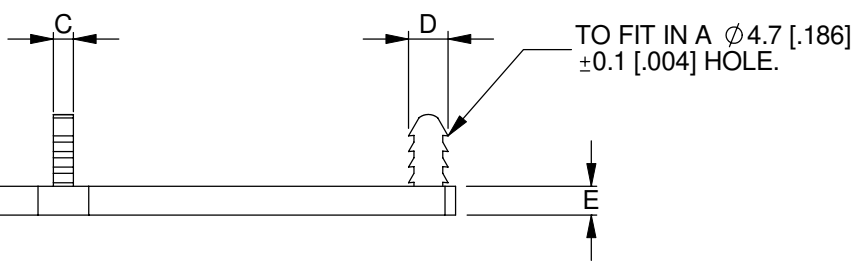
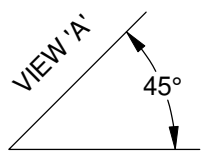
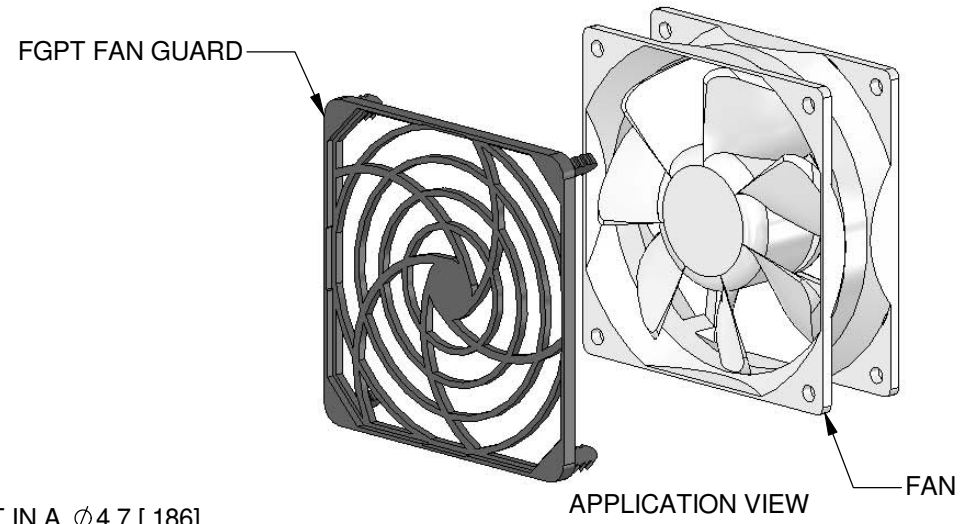
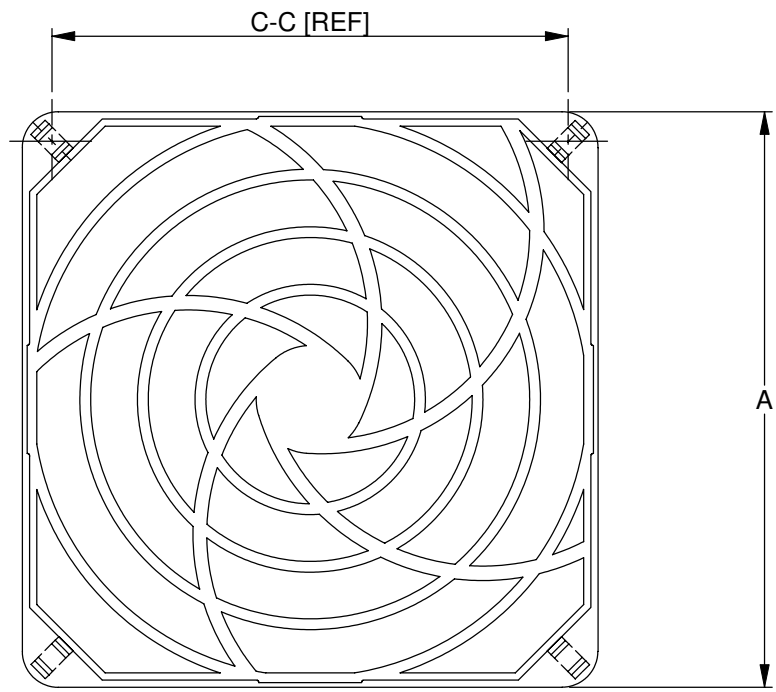
Tel: +86-755-8981 8866 Fax: +86-755-8427 6832

Email & Skype: info@chipsmall.com Web: www.chipsmall.com

Address: A1208, Overseas Decoration Building, #122 Zhenhua RD., Futian, Shenzhen, China



REV.	MODIFICATION.	DATE	DRN
01	NEW DRAWING	24/09/04	NJB
02	APPLICATION VIEW & SECONDARY DIMS ADDED	04/10/04	NJB
03	ECN 04-228	10/12/04	NJB
04	ECN 05-053	21/04/05	OW
05	ECN 06-259	07/12/06	SF
06	ECN 07-014	17/01/07	SF



VIEW 'A'

NOTES:
1) ALL PRIMARY DIMENSIONS IN mm,
SECONDARY DIMENSIONS IN [INCHES].

INFORMATION CONTAINED IN THIS DOCUMENT IS CONFIDENTIAL TO RICHCO INTERNATIONAL Co., Ltd. AND MAY NOT BE DISCLOSED OR REPRODUCED IN WHOLE OR PART WITHOUT THEIR WRITTEN CONSENT



METRIC GENERAL TOLERANCES ±0.25
ARE PRIMARY UNLESS OTHERWISE STATED
1 DECIMAL PLACES ±
2 DECIMAL PLACES ±
ANGULAR ±1°

IMPERIAL GENERAL TOLERANCES ±0.010
ARE FOR REFERENCE UNLESS OTHERWISE
1 DECIMAL PLACES ±
2 DECIMAL PLACES ±
ANGULAR ±1°

MATERIAL: ABS (RMS-171)				COLOUR: BLACK	
DESCRIPTION: FAN GUARDS				PART No.: SEE TABLE	
DRG No.: 04-103					
DRN NJB		DATE 24/09/04			
CHKD OW		DATE 24/09/04		SCALE NTS	
				SHEET No 1 OF 1	

PART No.	DIM 'A'	DIM 'B'	DIM 'C'	DIM 'D'	DIM 'E'	C-C [REF] [Mounting hole]
FGPT-80	80 [3.150]	14.5 [.571]	2.8 [.111]	5.5 [.217]	4.0 [.158]	71.0 [2.795]
FGPT-92	92 [3.623]	15.0 [.591]	2.6 [.103]	5.5 [.217]	4.15 [.164]	82.0 [3.228]
FGPT-120	119 [4.685]	16.5 [.650]	3.0 [.119]	5.5 [.217]	4.5 [.178]	104.0 [4.094]