



Chipsmall Limited consists of a professional team with an average of over 10 year of expertise in the distribution of electronic components. Based in Hongkong, we have already established firm and mutual-benefit business relationships with customers from,Europe,America and south Asia,supplying obsolete and hard-to-find components to meet their specific needs.

With the principle of “Quality Parts,Customers Priority,Honest Operation,and Considerate Service”,our business mainly focus on the distribution of electronic components. Line cards we deal with include Microchip,ALPS,ROHM,Xilinx,Pulse,ON,Everlight and Freescale. Main products comprise IC,Modules,Potentiometer,IC Socket,Relay,Connector.Our parts cover such applications as commercial,industrial, and automotives areas.

We are looking forward to setting up business relationship with you and hope to provide you with the best service and solution. Let us make a better world for our industry!



## Contact us

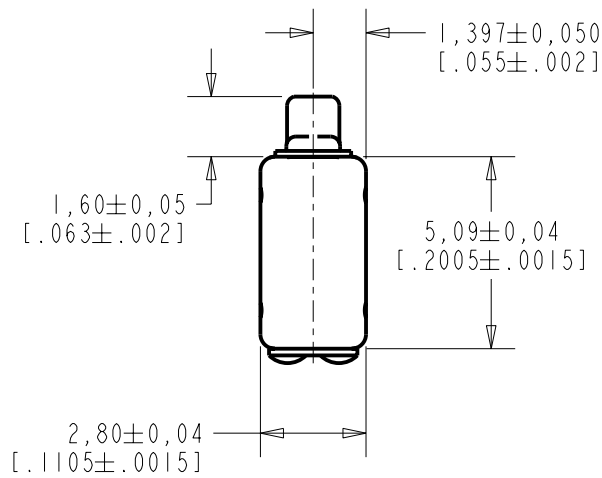
Tel: +86-755-8981 8866 Fax: +86-755-8427 6832

Email & Skype: info@chipsmall.com Web: www.chipsmall.com

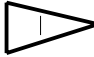
Address: A1208, Overseas Decoration Building, #122 Zhenhua RD., Futian, Shenzhen, China

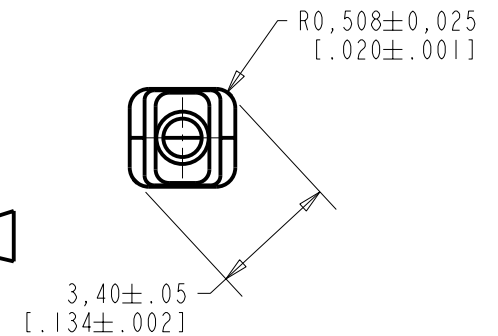
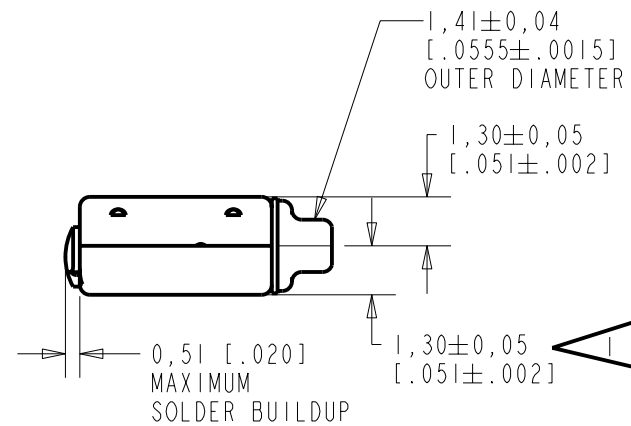
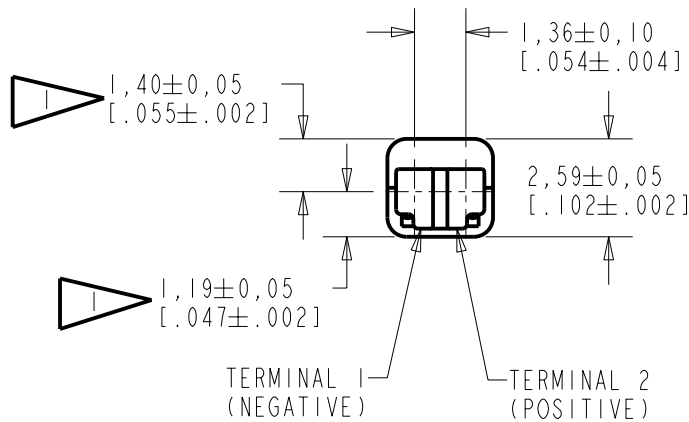


**FH-26555-000**  
SHT 1.1



NOTES:

 LOCATED FROM TWO SURFACES FOR CUSTOMER CONVENIENCE. ONLY APPLICABLE FROM ONE SURFACE, NOT TO BE USED TOGETHER. HORIZONTAL LOCATION FOR TERMINAL CENTERED TO  $\pm 0,17$  [.007].

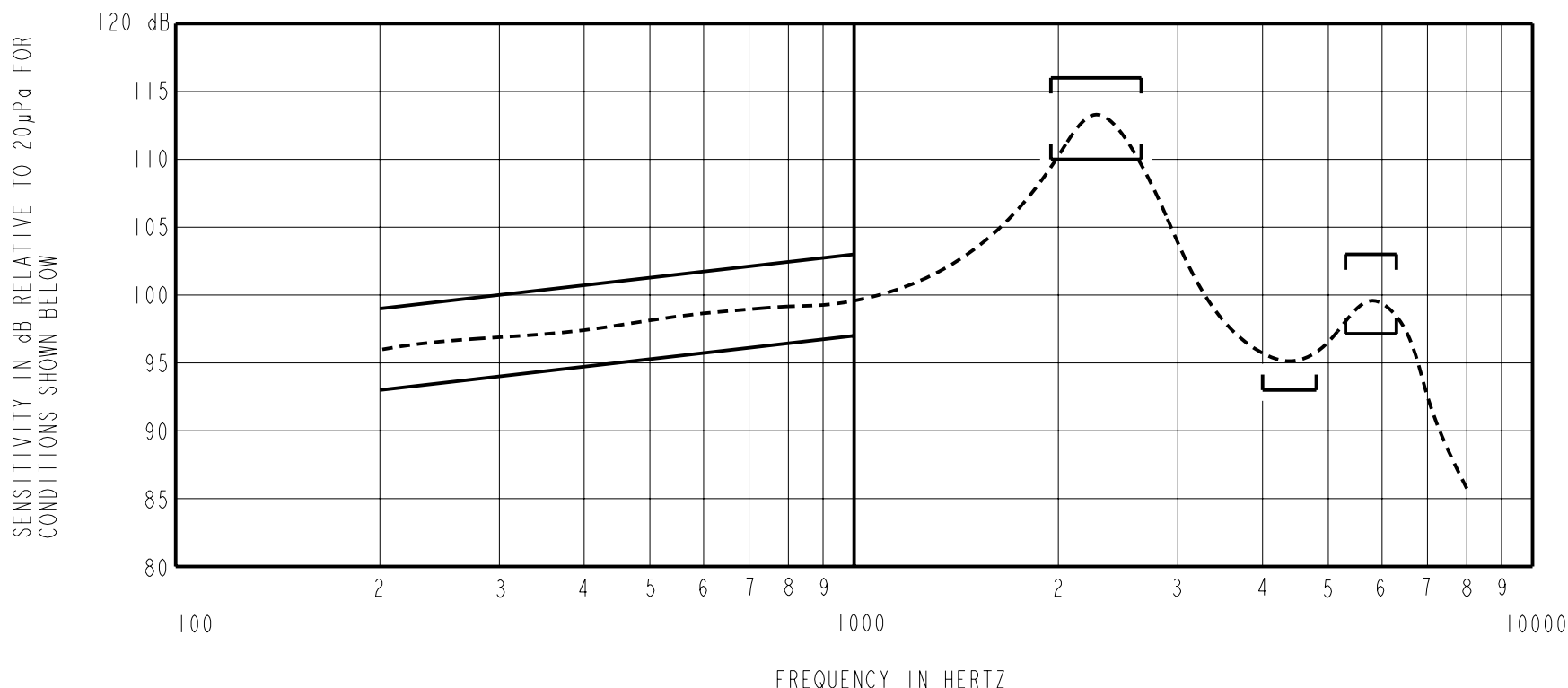


NOMINAL WEIGHT  
.18 GRAMS DIMENSIONS IN MILLIMETERS [INCHES]

**KNOWLES ELECTRONICS**  
ITASCA, ILLINOIS U.S.A.

| Revision | C.O. #    | Implementation Date | RELEASE LEVEL   | REVISION |
|----------|-----------|---------------------|-----------------|----------|
|          |           |                     | <b>Released</b> | <b>A</b> |
| A        | C10103105 | 9-15-05             |                 |          |

|   |  |                                |         |
|---|--|--------------------------------|---------|
| SCALE: <b>5:1</b>                         |  | DR. BY                         | DATE    |
| DO NOT SCALE DRAWING                      |  | MMM                            | 9-15-05 |
|   |  | CK. BY                         | DATE    |
| TITLE: <b>RECEIVER</b><br>OUTLINE DRAWING |  | GJP                            | 9-20-05 |
|   |  | <b>FH-26555-000</b><br>SHT 1.1 |         |
|   |  | GJP                            | 9-20-05 |



NOTES:

1. MEASUREMENTS MADE USING 10mm (.394") OF 1mm (.039") ID TUBE CONNECTED TO A SIMULATED ANSI S3.3-1960 TYPE HA-3 COUPLER. (T3420 AND B&K 080138)

2. SENSITIVITY

| FREQUENCY | MIN.  | MAX.  |
|-----------|-------|-------|
| 200       | 93.0  | 99.0  |
| 500       | 95.0  | 101.0 |
| 1000      | 97.0  | 103.0 |
| 1950-2650 | 110.0 | 116.0 |
| 4000-4800 | 93.0  | ---   |
| 5300-6300 | 97.0  | 103.0 |

- 3. RESPONSE, IMPEDANCE, AND DISTORTION MEASUREMENTS MADE USING THE ELECTRICAL TEST CONDITIONS SHOWN BELOW.
- 4. ELECTRICAL SOURCE IMPEDANCE MUST BE GREATER THAN 20 TIMES 1kHz IMPEDANCE FOR TEST CONDITIONS SHOWN BELOW.
- 5. INDIVIDUAL SPECIFICATIONS.

| PORT LOCATION | IMPEDANCE OHMS ±15% |       | DCR @20°C OHMS ±10% | DISTORTION |         | ELECTRICAL TEST CONDITIONS |       |
|---------------|---------------------|-------|---------------------|------------|---------|----------------------------|-------|
|               | 1KHz                | 500Hz |                     | MAX. %     | FREQ Hz | AC mA RMS                  | DC mA |
| 12S           | 2152                | 1390  | 985                 | 5          | 750     | 0.39                       | 0.00  |

| Revision | C.O. #    | Implementation Date | RELEASE LEVEL | REVISION |
|----------|-----------|---------------------|---------------|----------|
| A        | C10103105 | 9-15-05             | Released      | A        |

**KNOWLES ELECTRONICS**  
ITASCA, ILLINOIS U.S.A.

WHEN TEST LIMITS ARE USED TO ESTABLISH INCOMING INSPECTION ACCEPTANCE/REJECTION CRITERIA, CORRELATION OF TEST EQUIPMENT WITH KNOWLES IS ALSO REQUIRED FOR ELIMINATION OF EQUIPMENT AND TEST METHOD VARIATION

TITLE: **RECEIVER**  
PERFORMANCE SPECIFICATION

**FH-26555-000**  
SHT 2.1

| DR. BY  | DATE    |
|---------|---------|
| MMM     | 9-15-05 |
| CK. BY  | DATE    |
| GJP     | 9-20-05 |
| APP. BY | DATE    |
| GJP     | 9-20-05 |