



Chipsmall Limited consists of a professional team with an average of over 10 year of expertise in the distribution of electronic components. Based in Hongkong, we have already established firm and mutual-benefit business relationships with customers from,Europe,America and south Asia,supplying obsolete and hard-to-find components to meet their specific needs.

With the principle of “Quality Parts,Customers Priority,Honest Operation,and Considerate Service”,our business mainly focus on the distribution of electronic components. Line cards we deal with include Microchip,ALPS,ROHM,Xilinx,Pulse,ON,Everlight and Freescale. Main products comprise IC,Modules,Potentiometer,IC Socket,Relay,Connector.Our parts cover such applications as commercial,industrial, and automotives areas.

We are looking forward to setting up business relationship with you and hope to provide you with the best service and solution. Let us make a better world for our industry!



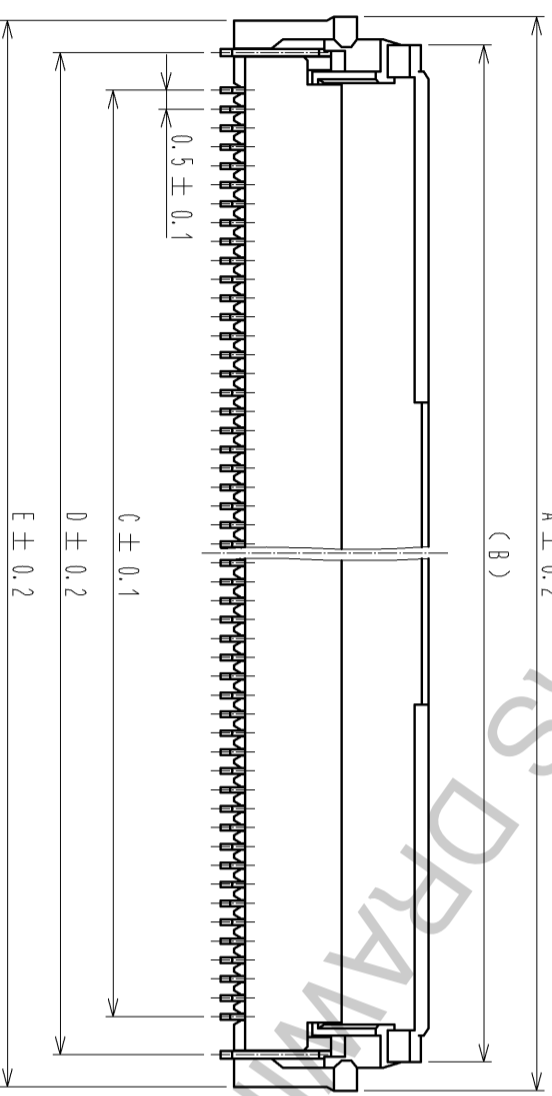
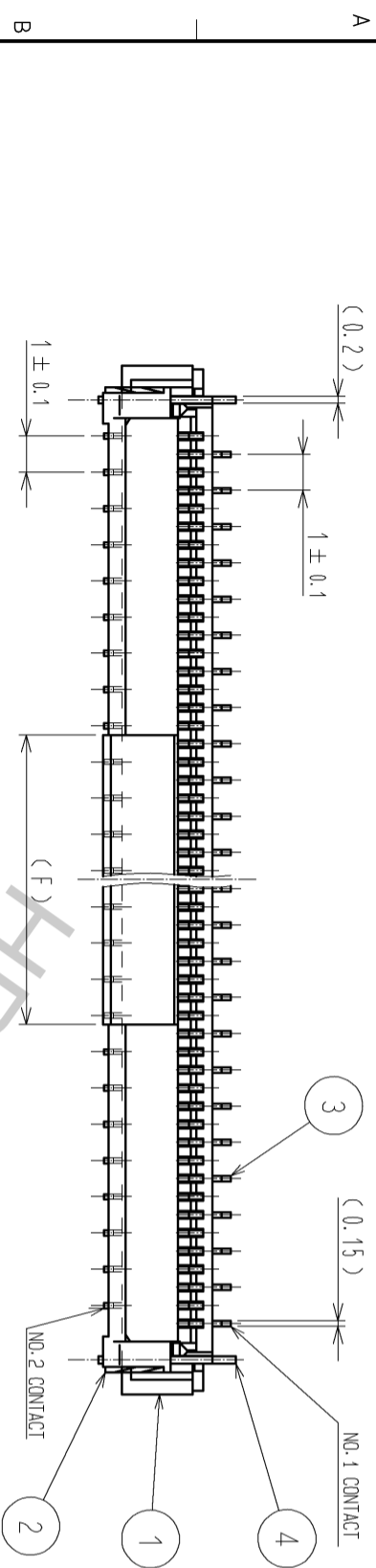
## Contact us

Tel: +86-755-8981 8866 Fax: +86-755-8427 6832

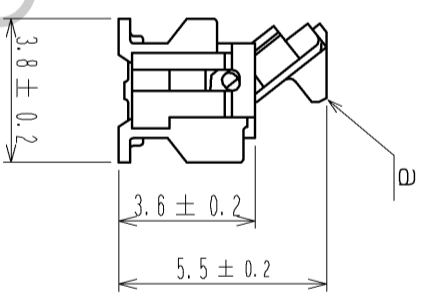
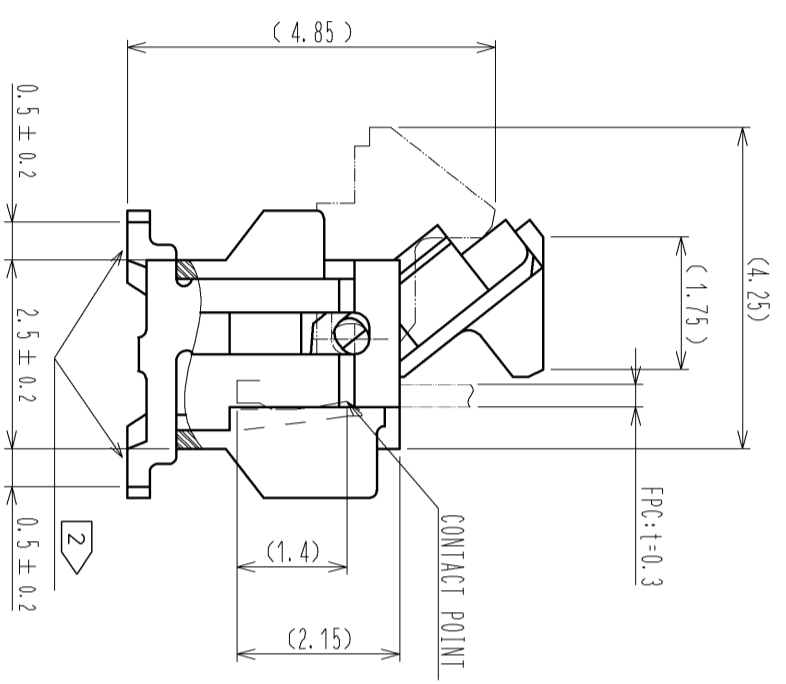
Email & Skype: info@chipsmall.com Web: www.chipsmall.com

Address: A1208, Overseas Decoration Building, #122 Zhenhua RD., Futian, Shenzhen, China





a (10:1)



NOTE 1 THE DIMENSIONS IN PARENTHESES ARE FOR REFERENCE.

2 LEAD CO-PLANARITY SHALL BE 0.1 MAX.

3 SEE DIMENSION TABLE IN THE APPENDIX.

4 MATERIAL

NUMBER OF CONTACTS	MATERIAL
60	LCP
OTHER	POLYAMIDE

5 DIFFERENCES OF THE GOLD PLATED AREA DO NOT INFLUENCE ON THE PRODUCT PERFORMANCE.

6 'n' REPRESENTS THE NUMBER OF CONTACTS.

NO.	MATERIAL	FINISH	REMARKS	NO.	MATERIAL	FINISH	REMARKS
4	BRASS		TIN PLATING 1μm MIN. OVER NICKEL 1μm MIN.	8	(CONNECTOR)		
3	PHOSPHOR BRONZE		(CONTACT AREA, LEAD) GOLD PLATING 0.05μm MIN OVER NICKEL 1μm MIN (OTHER) NICKEL PLATING 1μm MIN	7	POLYSTYRENE		
2	PPS		(DEEP BROWN) UL94V-0	6	POLYESTER		
1		4	(BEIGE) UL94V-0	5	POLYSTYRENE		

UNITS	SCALE	COUNT	DESCRIPTION OF REVISIONS	DESIGNED	CHECKED	DATE
mm	5:1					

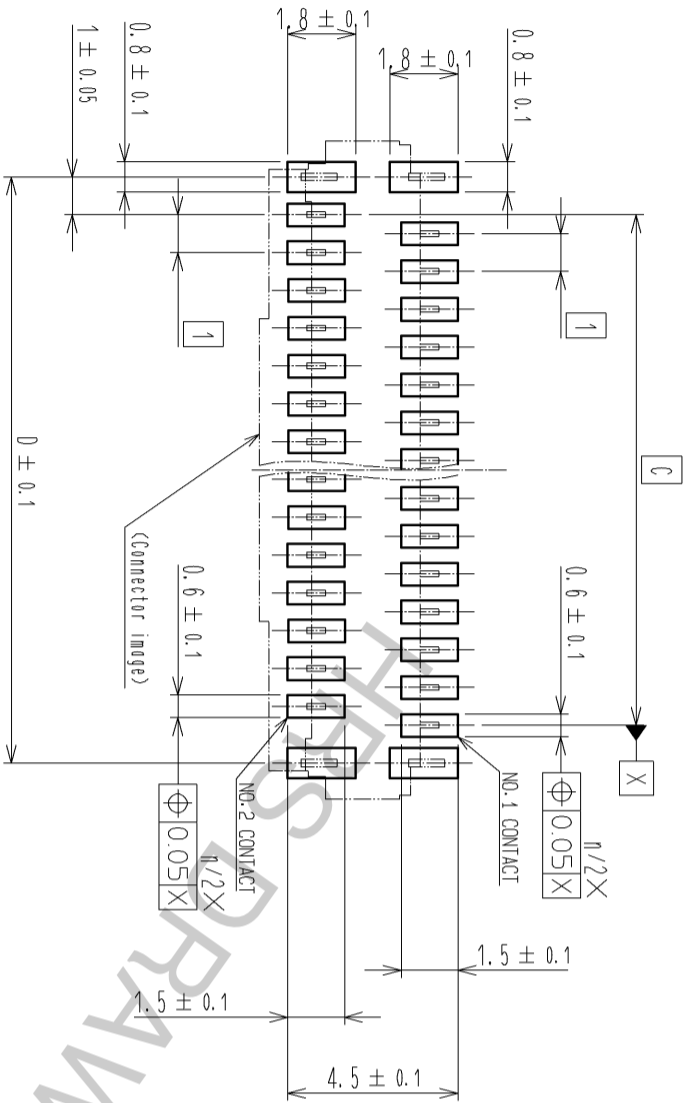
  

APPROVED	CHECKED	DESIGNED	DRAWN
HS. SAKAMOTO	HS. SAKAMOTO	RT. IKEDA	NM. SANPEI
14.02.15	14.02.15	14.02.13	14.02.12

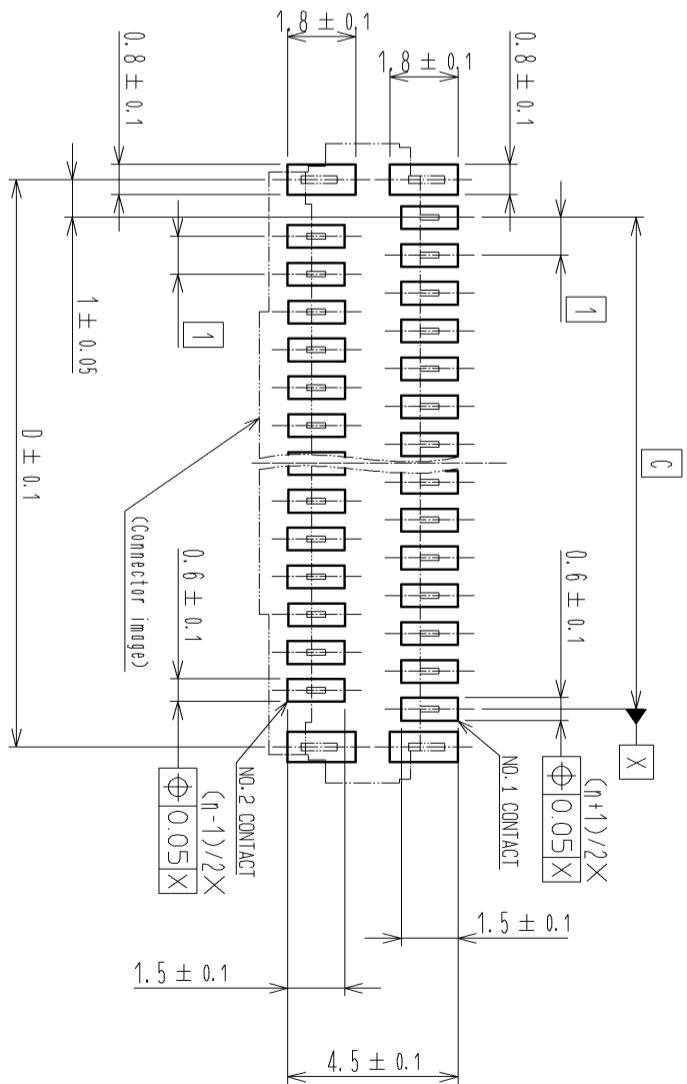
DRAWING NO.	PART NO.	CODE
EDC3-159266-03	FH12-*S-0.5SVA(54)	CL586

NUMBER OF CONTACTS: EVEN NUMBER

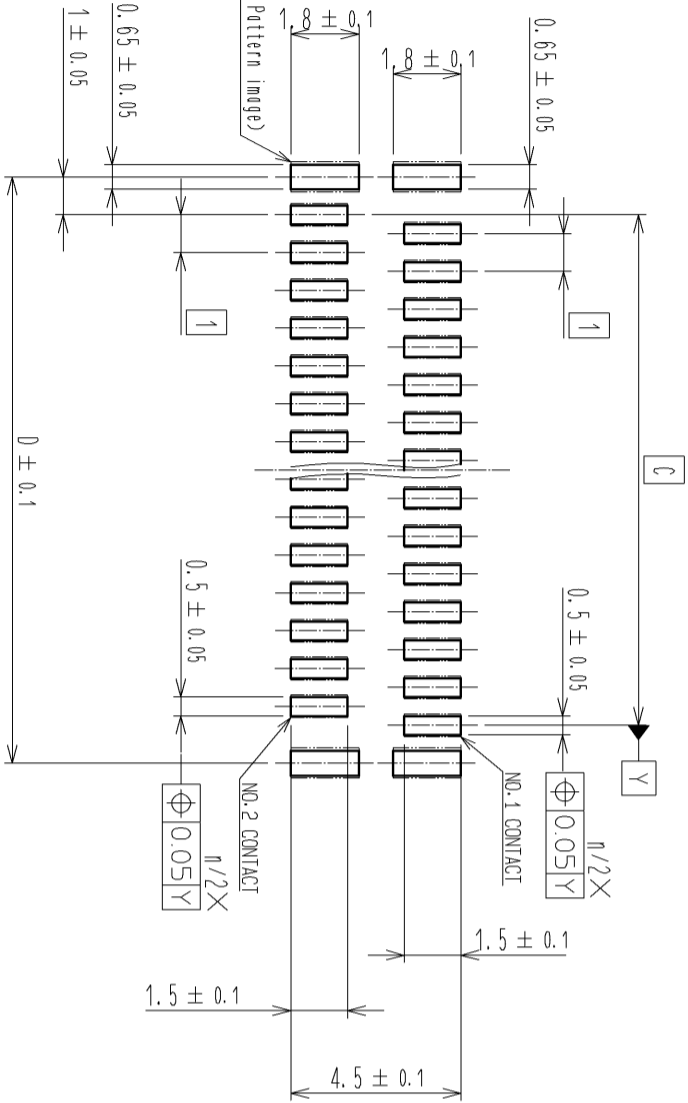


RECOMMENDED PCB MOUNTING PATTERN

NUMBER OF CONTACTS: ODD NUMBER

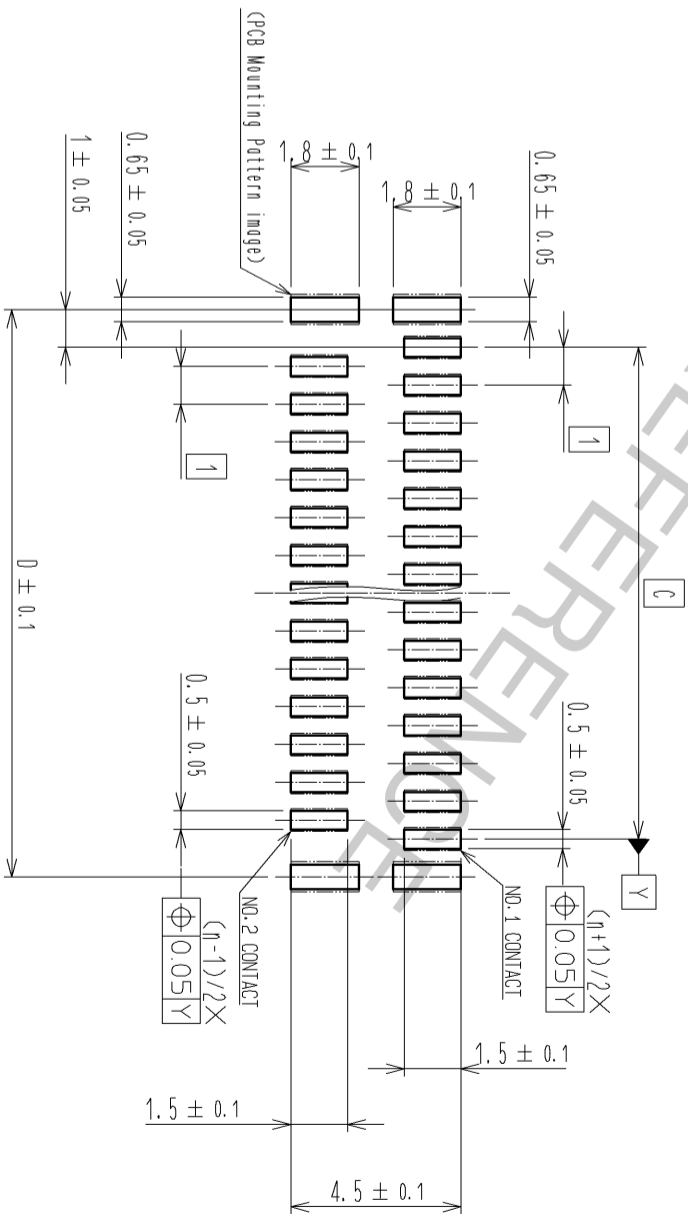


NUMBER OF CONTACTS: EVEN NUMBER



RECOMMENDED STENCIL PATTERN  
(RECOMMENDED STENCIL THICKNESS : t=0.15)

NUMBER OF CONTACTS: ODD NUMBER



FORM HC0011-5-8

2

3

4

5

6

7

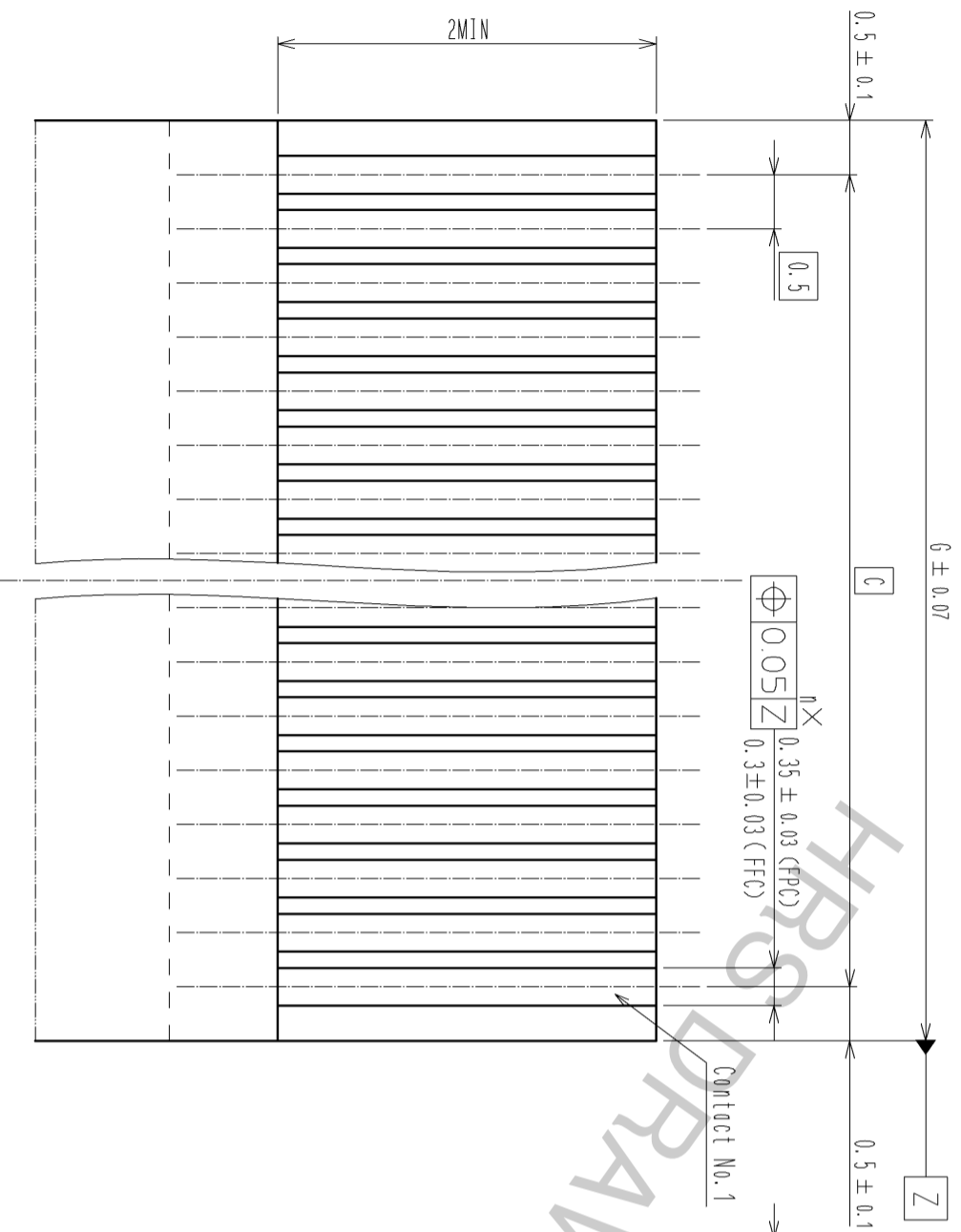
8

**HRS**

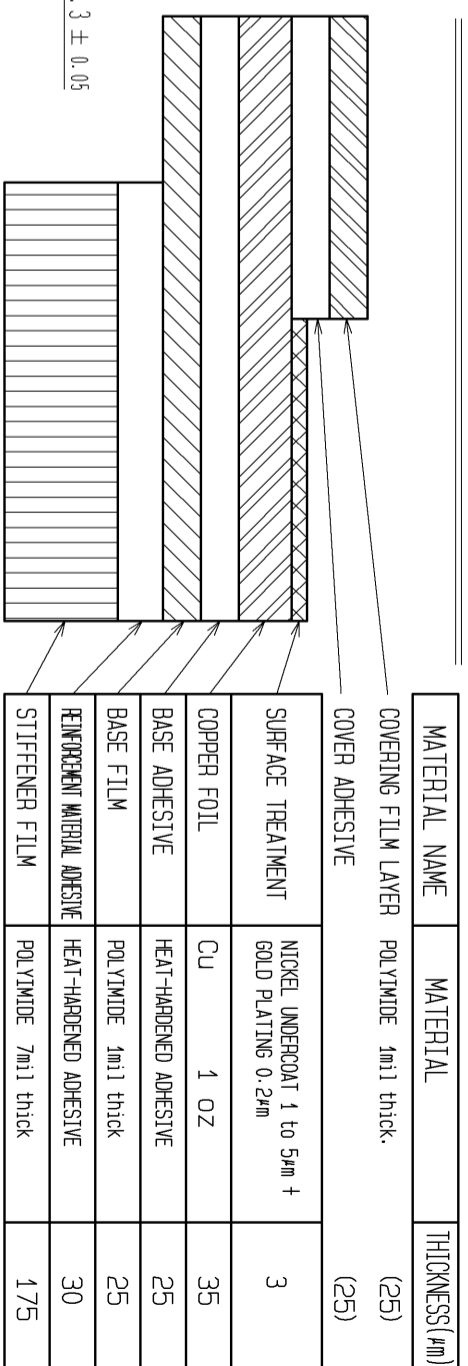
DRAWING NO. EDC3-159266-03  
PART NO. FH12-\*\*-S-0.5SVA(54)  
CODE CL586

2/5

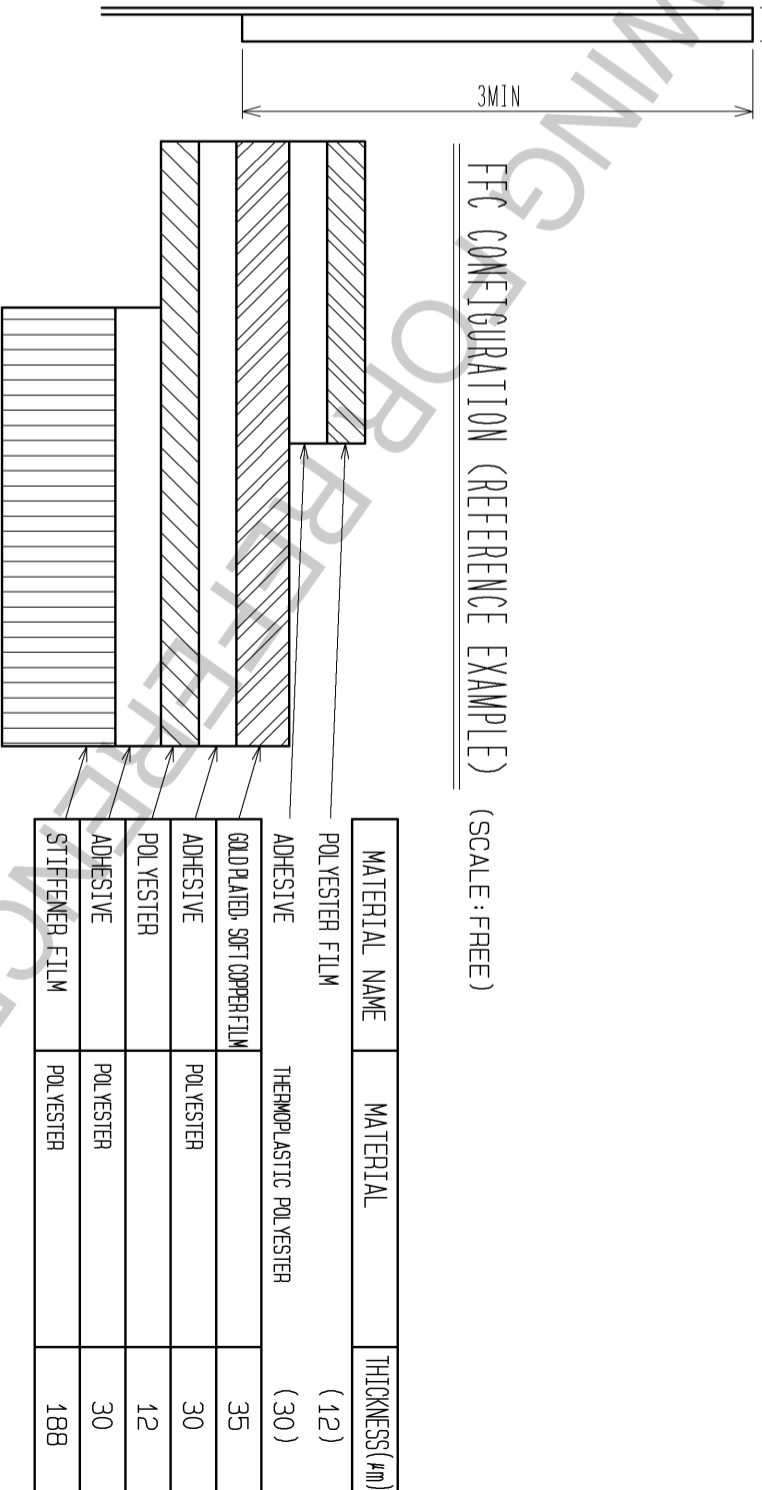
RECOMMENDED FPC/FFC (15:1)



FPC CONFIGURATION (REFERENCE EXAMPLE) (SCALE:FREE)



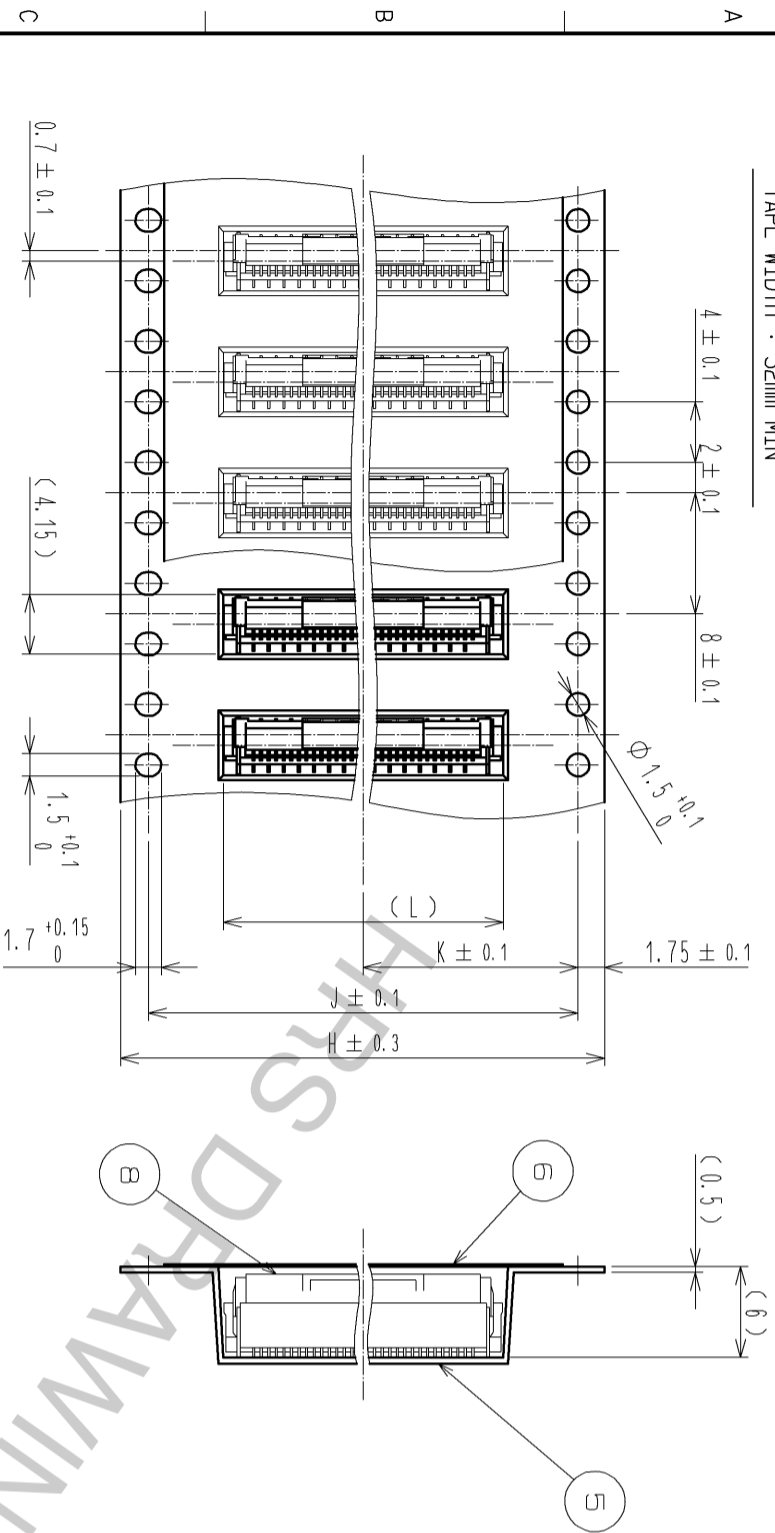
FFC CONFIGURATION (REFERENCE EXAMPLE) (SCALE:FREE)



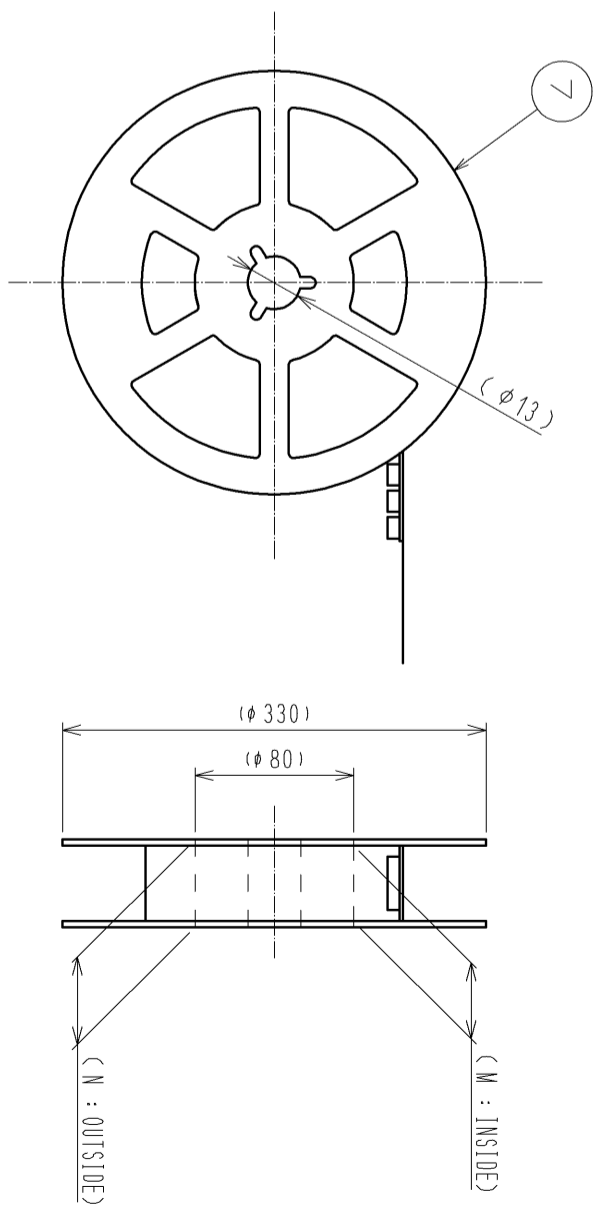
THICKNESS OF SUPPORTING TAPE SHALL BE 0.188(7.5MIL) MIN.

EMBOSSED CARRIER TAPE DIMENSION (2:1)

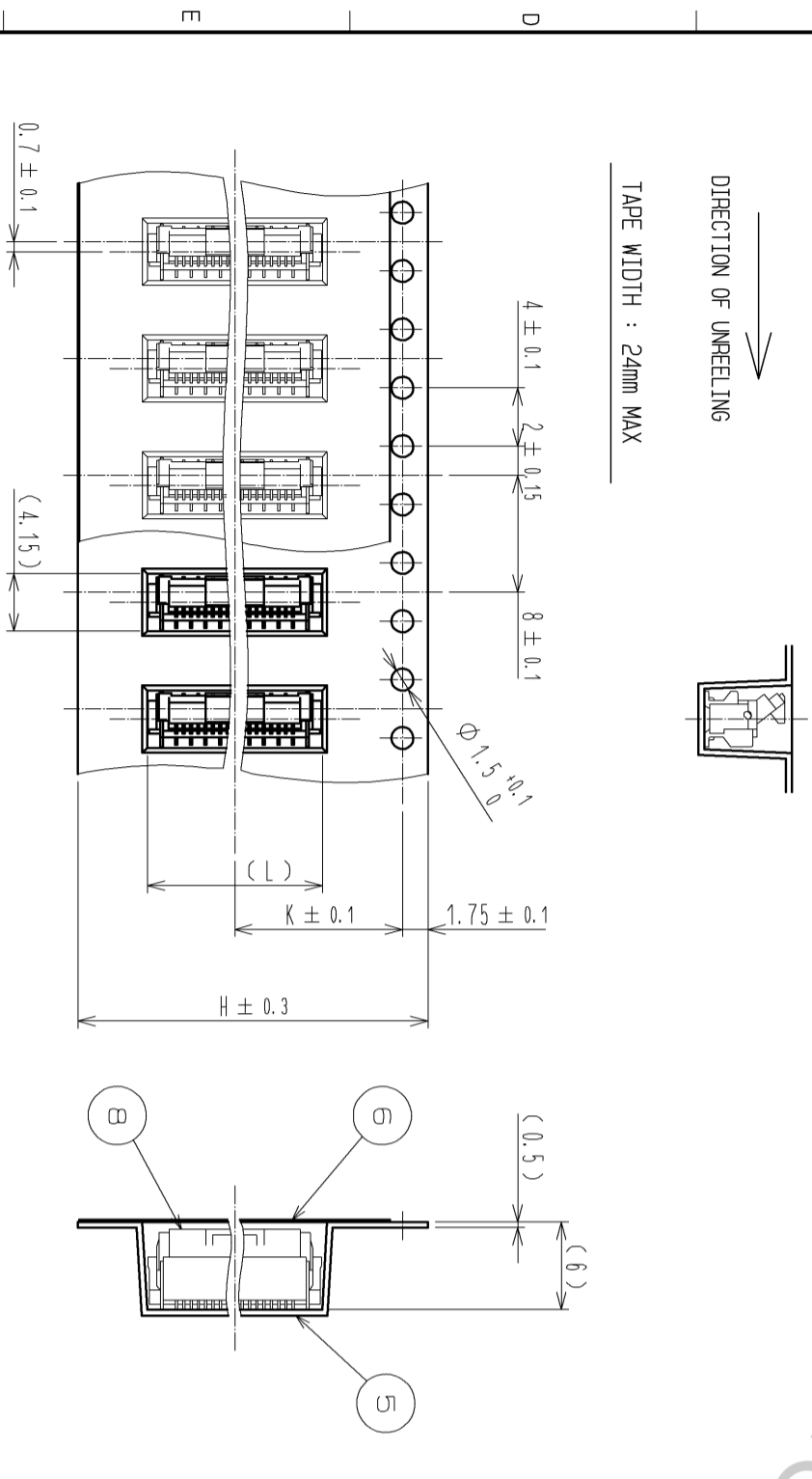
TAPE WIDTH : 32mm MIN



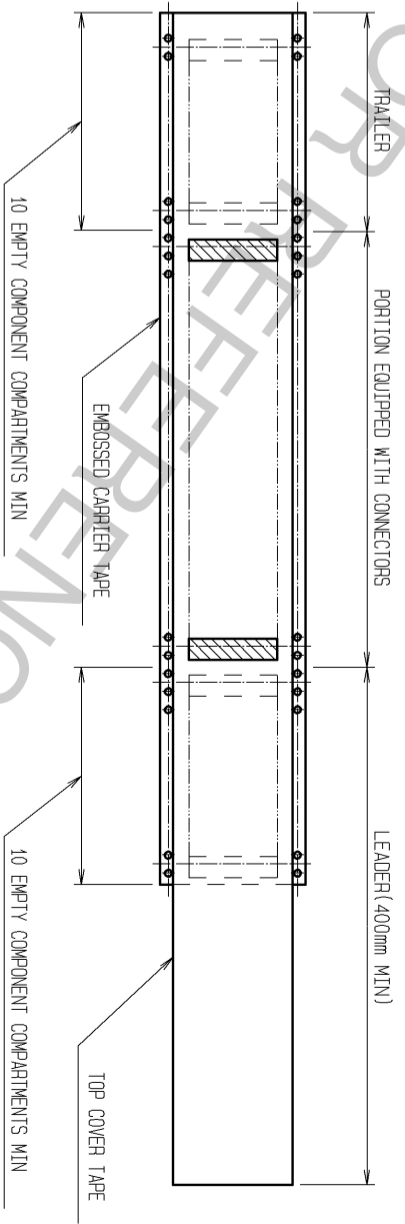
REEL DIMENSION(SHOW AS BELOW)(FREE)



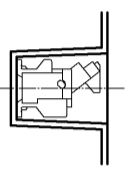
TAPE WIDTH : 24mm MAX



NOTE 8 1REEL : 1000 CONNECTORS.



DIRECTION OF UNREELING



DRAWING FOR PACKING

<b>HRS</b>	
DRAWING NO.	EDC3-159266-03
PART NO.	FH12-**-S-0.5SVA(54)
CODE NO.	CL586
	4/5



PART NO.	CODE NO.	NUMBER OF CONTACTS	DIMENSION TABLE OF CONNECTOR, FCC, FCC, PCB MOUNTING PATTERN AND STENCIL PATTERN														DIMENSION TABLE OF DRAWING FOR PACKING						
			A	B	C	D	E	F	G	H	J	K	L	M	N								
FH12-6S-0.5SVA(54)	CL586-0756-4-54	6	6.4	4.9	2.5	4.5	6.2	2	3.5	16	—	7.5	6.5	17.4	21.4								
FH12-10S-0.5SVA(54)	CL586-0806-0-54	10	8.4	6.9	4.5	6.5	8.2	4	5.5	16	—	7.5	8.5	17.4	21.4								
FH12-12S-0.5SVA(54)	CL586-0757-7-54	12	9.4	7.9	5.5	7.5	9.2	4	6.5	16	—	7.5	9.5	17.4	21.4								
FH12-13S-0.5SVA(54)	CL586-0807-3-54	13	9.9	8.4	6	8	9.7	4	7	24	—	11.5	10	25.4	29.4								
FH12-15S-0.5SVA(54)	CL586-0808-6-54	15	10.9	9.4	7	9	10.7	4	8	24	—	11.5	11	25.4	29.4								
FH12-16S-0.5SVA(54)	CL586-0809-9-54	16	11.4	9.9	7.5	9.5	11.2	4	8.5	24	—	11.5	11.5	25.4	29.4								
FH12-17S-0.5SVA(54)	CL586-0810-8-54	17	11.9	10.4	8	10	11.7	4	9	24	—	11.5	12	25.4	29.4								
FH12-18S-0.5SVA(54)	CL586-0811-0-54	18	12.4	10.9	8.5	10.5	12.2	4	9.5	24	—	11.5	12.5	25.4	29.4								
FH12-20S-0.5SVA(54)	CL586-0812-3-54	20	13.4	11.9	9.5	11.5	13.2	4	10.5	24	—	11.5	13.5	25.4	29.4								
FH12-22S-0.5SVA(54)	CL586-0813-6-54	22	14.4	12.9	10.5	12.5	14.2	8	11.5	24	—	11.5	14.5	25.4	29.4								
FH12-24S-0.5SVA(54)	CL586-0814-9-54	24	15.4	13.9	11.5	13.5	15.2	8	12.5	24	—	11.5	15.5	25.4	29.4								
FH12-26S-0.5SVA(54)	CL586-0815-1-54	26	16.4	14.9	12.5	14.5	16.2	8	13.5	24	—	11.5	16.5	25.4	29.4								
FH12-30S-0.5SVA(54)	CL586-0750-8-54	30	18.4	16.9	14.5	16.5	18.2	8	15.5	32	28.4	14.2	18.5	33.4	37.4								
FH12-32S-0.5SVA(54)	CL586-0816-4-54	32	19.4	17.9	15.5	17.5	19.2	8	16.5	32	28.4	14.2	19.5	33.4	37.4								
FH12-33S-0.5SVA(54)	CL586-0818-0-54	33	19.9	18.4	16	18	19.7	8	17	32	28.4	14.2	20	33.4	37.4								
FH12-34S-0.5SVA(54)	CL586-0817-7-54	34	20.4	18.9	16.5	18.5	20.2	8	17.5	44	40.4	20.2	20.5	45.4	49.4								
FH12-36S-0.5SVA(54)	CL586-0819-2-54	36	21.4	19.9	17.5	19.5	21.2	8	18.5	44	40.4	20.2	21.5	45.4	49.4								
FH12-40S-0.5SVA(54)	CL586-0804-5-54	40	23.4	21.9	19.5	21.5	23.2	8	20.5	44	40.4	20.2	23.5	45.4	49.4								
FH12-45S-0.5SVA(54)	CL586-0820-1-54	45	25.9	24.4	22	24	25.7	8	23	44	40.4	20.2	26	45.4	49.4								
FH12-49S-0.5SVA(54)	CL586-0821-4-54	49	27.9	26.4	24	26	27.7	8	25	44	40.4	20.2	28	45.4	49.4								
FH12-50S-0.5SVA(54)	CL586-0805-8-54	50	28.4	26.9	24.5	26.5	28.2	8	25.5	44	40.4	20.2	28.5	45.4	49.4								
FH12-60S-0.5SVA(54)	CL586-0749-9-54	60	33.4	31.9	29.5	31.5	33.2	8	30.5	56	52.4	26.2	33.5	57.4	61.4								

DRAWING NO.		EDC3-159266-03	
PART NO.		FH12-**-S-0.5SVA(54)	
CODE		CL586	
FORM HC0011-5-8		5/5	