



Chipsmall Limited consists of a professional team with an average of over 10 year of expertise in the distribution of electronic components. Based in Hongkong, we have already established firm and mutual-benefit business relationships with customers from,Europe,America and south Asia,supplying obsolete and hard-to-find components to meet their specific needs.

With the principle of “Quality Parts,Customers Priority,Honest Operation,and Considerate Service”,our business mainly focus on the distribution of electronic components. Line cards we deal with include Microchip,ALPS,ROHM,Xilinx,Pulse,ON,Everlight and Freescale. Main products comprise IC,Modules,Potentiometer,IC Socket,Relay,Connector.Our parts cover such applications as commercial,industrial, and automotives areas.

We are looking forward to setting up business relationship with you and hope to provide you with the best service and solution. Let us make a better world for our industry!



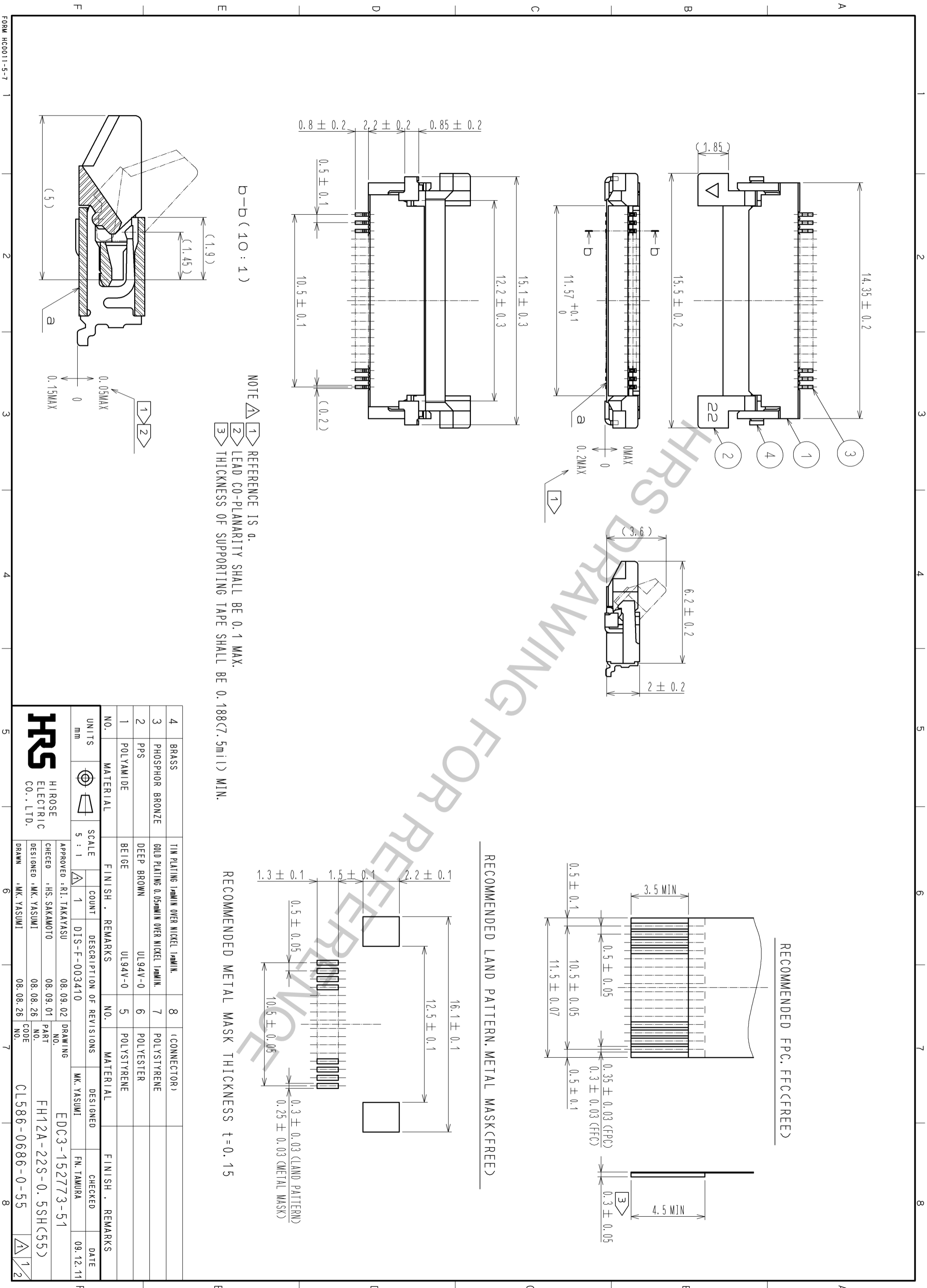
Contact us

Tel: +86-755-8981 8866 Fax: +86-755-8427 6832

Email & Skype: info@chipsmall.com Web: www.chipsmall.com

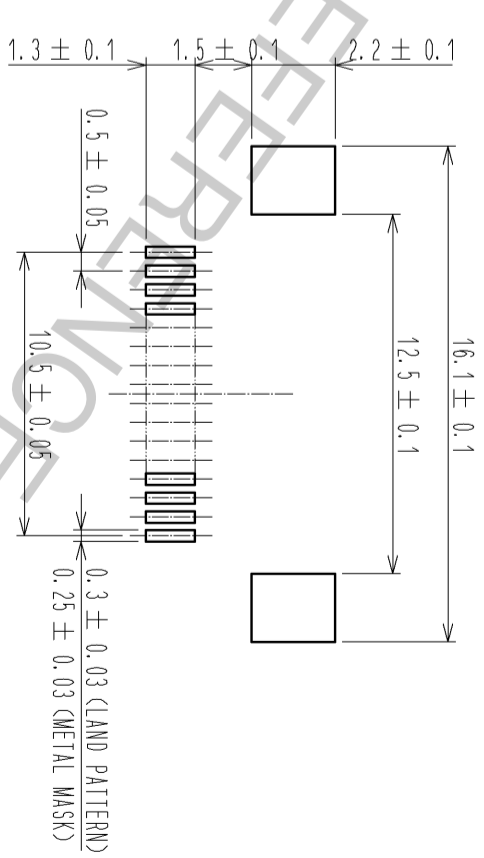
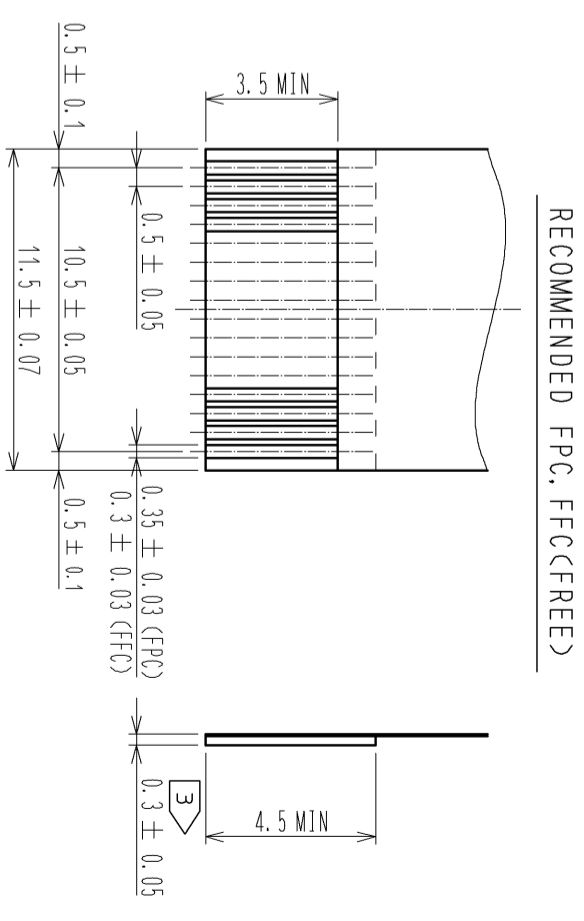
Address: A1208, Overseas Decoration Building, #122 Zhenhua RD., Futian, Shenzhen, China



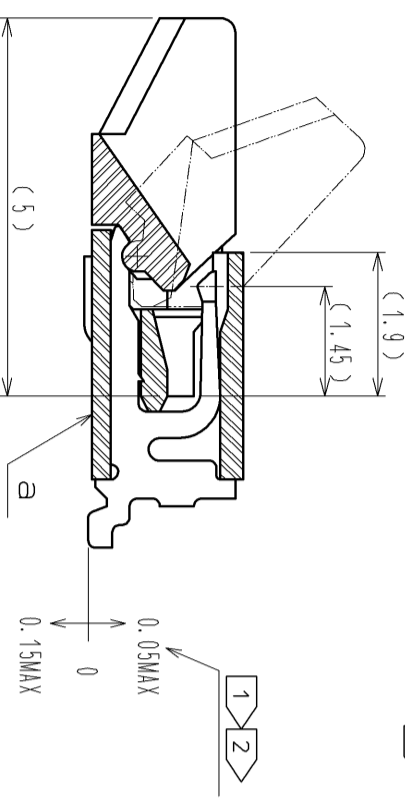


B-D (10:1)

NOTE
 1 REFERENCE IS a.
 2 LEAD CO-PLANARITY SHALL BE 0.1 MAX.
 3 THICKNESS OF SUPPORTING TAPE SHALL BE 0.188(7.5mil) MIN.



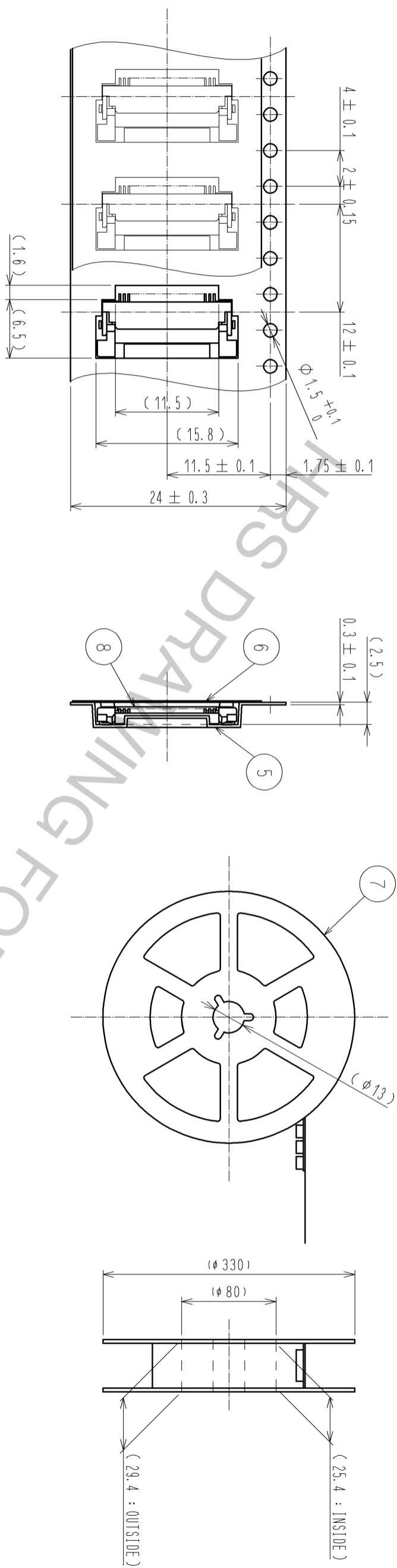
RECOMMENDED METAL MASK THICKNESS t=0.15



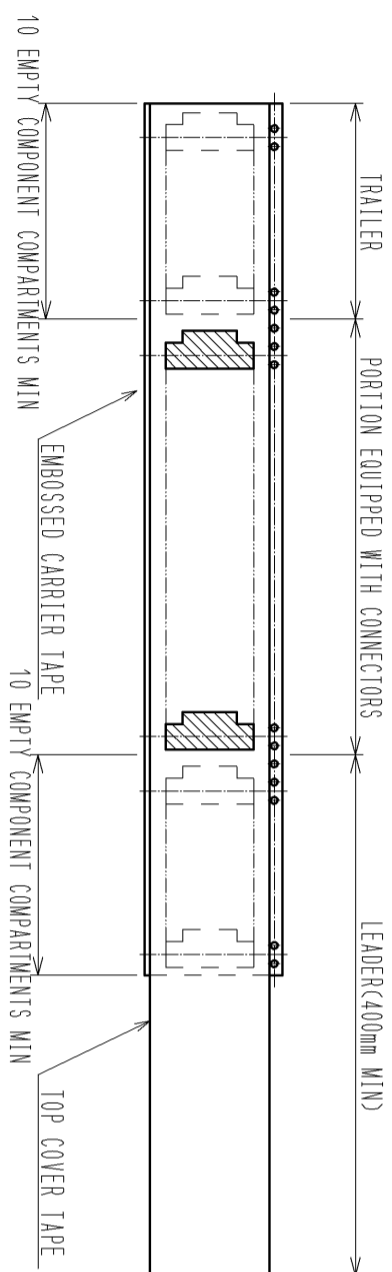
4	BRASS	TIN PLATING 1μMIN OVER NICKEL 1μMIN.	8	(CONNECTOR)		
3	PHOSPHOR BRONZE	GOLD PLATING 0.05μMIN OVER NICKEL 1μMIN.	7	POLYSTYRENE		
2	PPS	DEEP BROWN UL94V-0	6	POLYESTER		
1	POLYAMIDE	BEIGE UL94V-0	5	POLYSTYRENE		
NO.	MATERIAL	FINISH .	REMARKS	NO.	MATERIAL	FINISH .
UNITS	mm	SCALE	5 : 1	COUNT	1	DESCRIPTION OF REVISIONS
		DIS-F-003410	DRAWING NO. ED03-152773-51			
APPROVED : R.I. TAKAYASU		08.09.02	DESIGNED : MK. YASUMI			
CHECKED : HS. SAKAMOTO		08.09.01	CHECKED : FN. TAMURA			
DESIGNED : MK. YASUMI		08.08.26	DATE			
DRAWN : MK. YASUMI		08.08.26	PART NO. FH12A-22S-0.5SH(55)			
			CODE CL586-0686-0-55			
			DATE 09.12.11			

EMBOSSED CARRIER TAPE DIMENSION(2:1)

REEL DIMENSION(FREE)



DIRECTION OF UNREELING



NOTE 4 THE DIMENSIONS IN PARENTHESES ARE FOR REFERENCE.
5 1 REEL:2000 CONNECTORS.

<DRAWING FOR PACKING>

HRS	
DRAWING NO.	EDC3-152773-51
PART NO.	FH12A-22S-0.5SH(55)
CODE NO.	CL586-0686-0-55
	A/2