



Chipsmall Limited consists of a professional team with an average of over 10 year of expertise in the distribution of electronic components. Based in Hongkong, we have already established firm and mutual-benefit business relationships with customers from,Europe,America and south Asia,supplying obsolete and hard-to-find components to meet their specific needs.

With the principle of “Quality Parts,Customers Priority,Honest Operation,and Considerate Service”,our business mainly focus on the distribution of electronic components. Line cards we deal with include Microchip,ALPS,ROHM,Xilinx,Pulse,ON,Everlight and Freescale. Main products comprise IC,Modules,Potentiometer,IC Socket,Relay,Connector.Our parts cover such applications as commercial,industrial, and automotives areas.

We are looking forward to setting up business relationship with you and hope to provide you with the best service and solution. Let us make a better world for our industry!



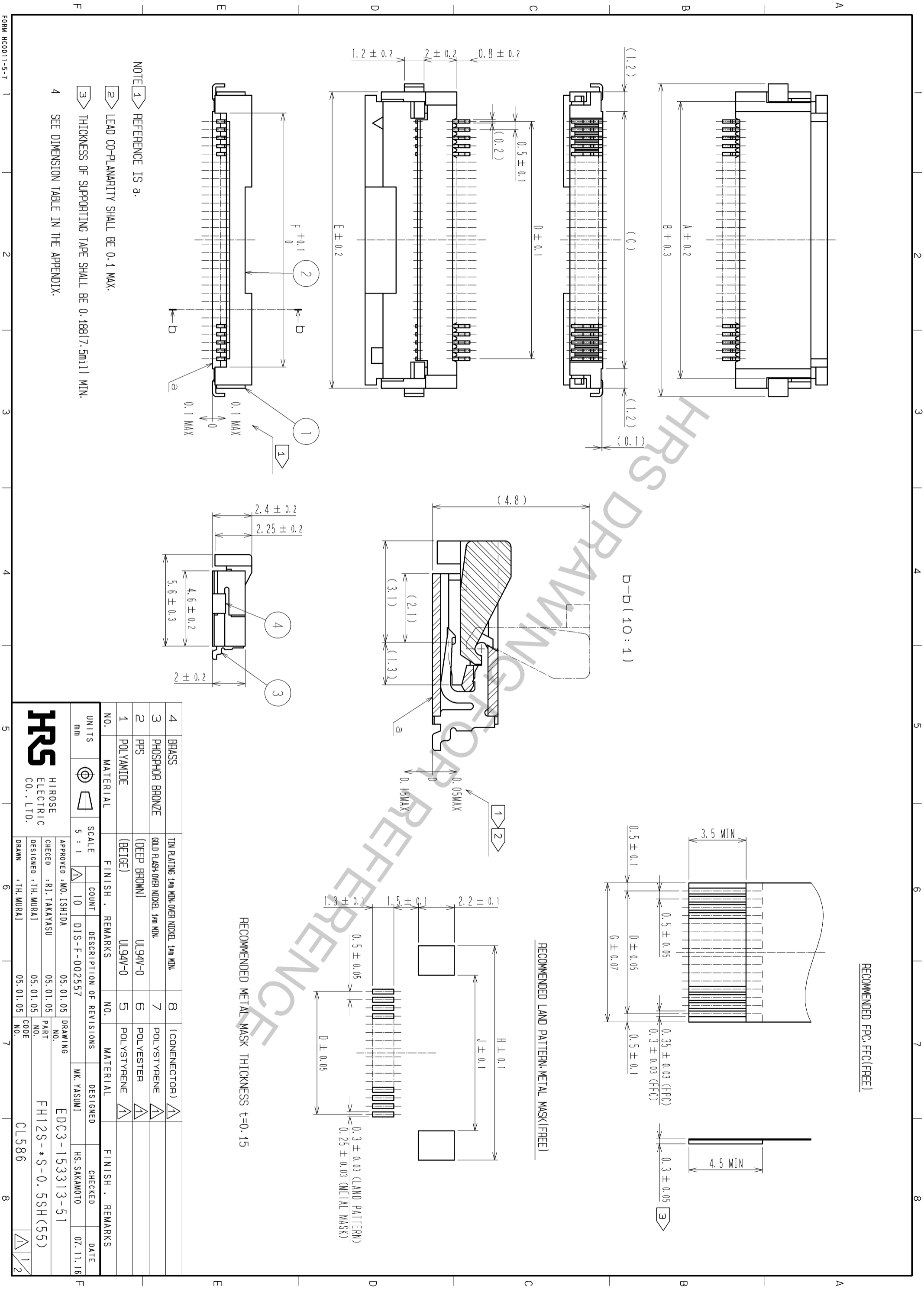
## Contact us

Tel: +86-755-8981 8866 Fax: +86-755-8427 6832

Email & Skype: info@chipsmall.com Web: www.chipsmall.com

Address: A1208, Overseas Decoration Building, #122 Zhenhua RD., Futian, Shenzhen, China



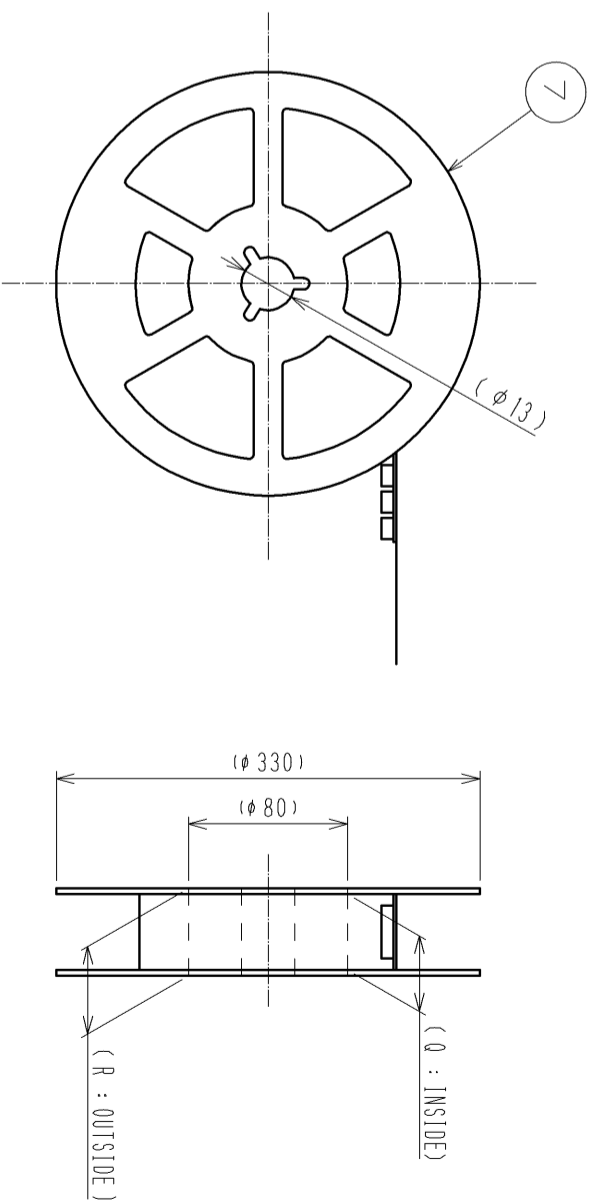
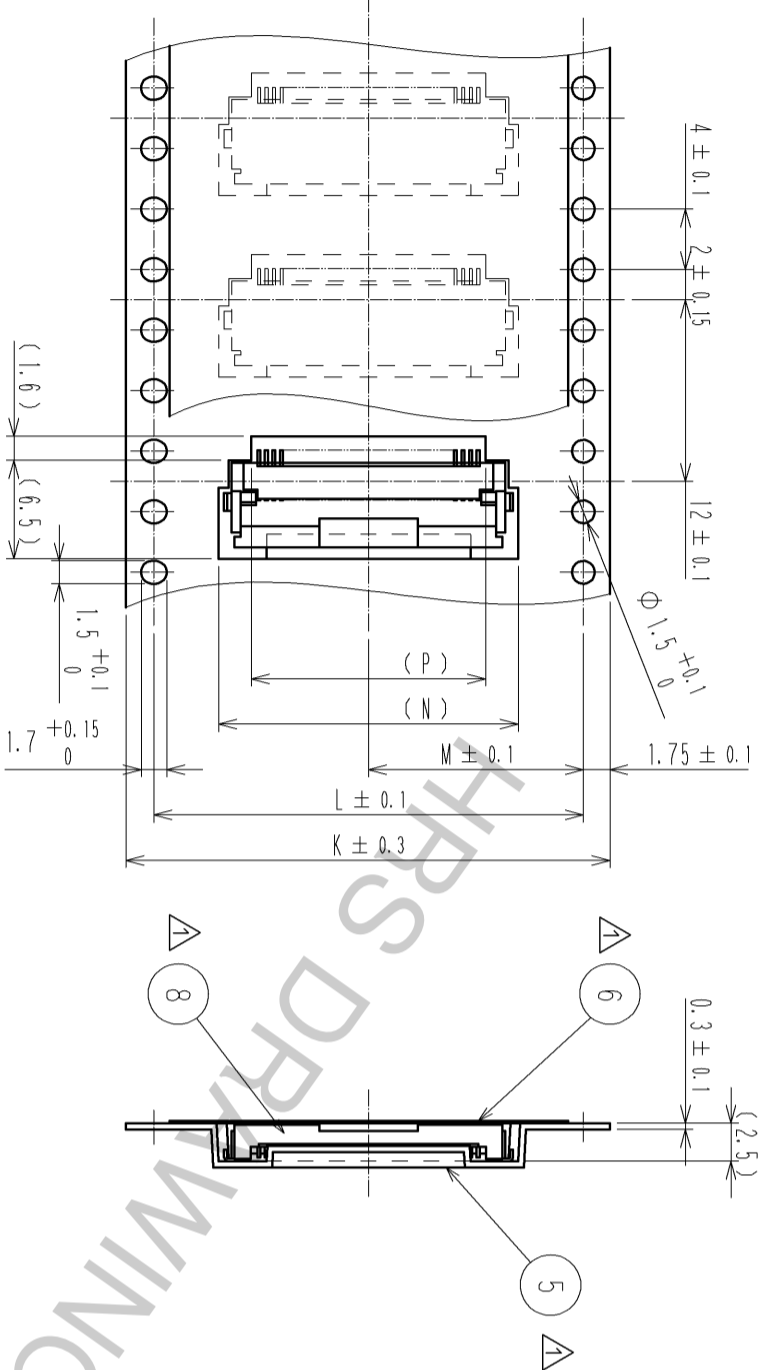


NO.	MATERIAL	FINISH	REMARKS	NO.	MATERIAL	FINISH	REMARKS
1	POLYAMIDE	(BEIGE)	UL94V-0	5	POLYSTYRENE		
2	PPS	(DEEP BROWN)	UL94V-0	6	POLYESTER		
3	PHOSPHOR BRONZE	GOLD FLASH-OVER NICKEL 1μm MIN.		7	POLYSTYRENE		
4	BRASS	TIN PLATING 1μm MIN-OVER NICKEL 1μm MIN.		8	(CONNECTOR)		

UNITS	SCALE	COUNT	DESCRIPTION OF REVISIONS	DESIGNED	CHECKED	DATE
mm	5 : 1	10	DIS-F-002557	MK. YASUMI	HS. SAKAMOTO	07.11.16

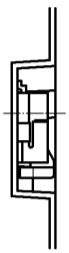
Approved: MO. ISHIDA 05.01.05 DRAWING NO. EDC3-153313-51  
 Checked: RI. TAKAYASU 05.01.05 PART NO. FH12S-\*S-0.5SH(55)  
 Designed: TH. MURAI 05.01.05 CODE CL586  
 Drawn: TH. MURAI 05.01.05 NO. 1/2

EMBOSSED CARRIER TAPE DIMENSION(2:1)



△ REEL DIMENSION(SHOW AS BELOW)  
(FREE)

DIRECTION OF UNREELING



DIMENSION TABLE OF CONNECTOR, FPC, FFC, LAND PATTERN AND METAL MASK

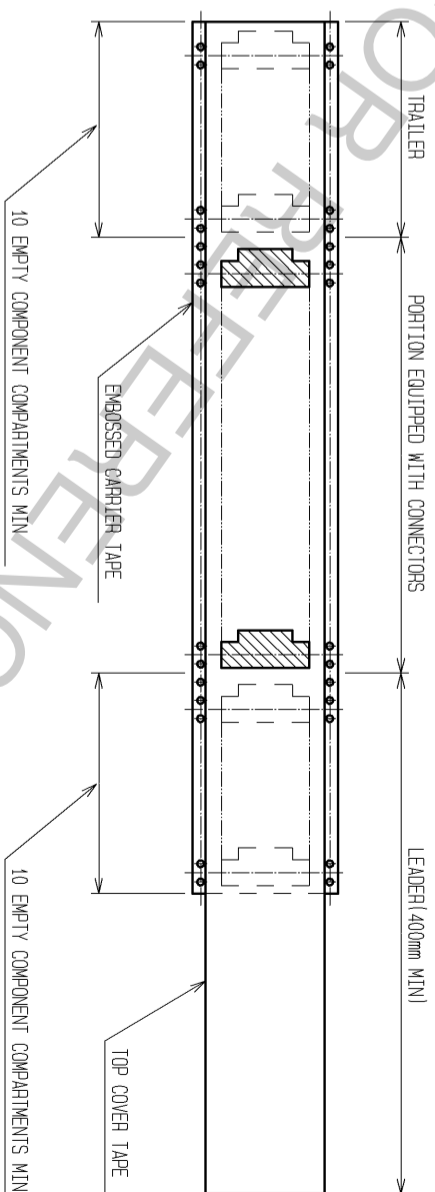
PART NO.	CODE NO.	*	A	B	C	D	E	F	G	H	J
FH12S-30S-0.5SH(55)	CL586-0667-6-55	30	16.9	19.1	15.7	14.5	18.1	15.5	15.5	20.1	16.5
FH12S-40S-0.5SH(55)	CL586-0640-0-55	40	21.9	24.1	20.7	19.5	23.1	20.5	20.5	25.1	21.5
FH12S-45S-0.5SH(55)	CL586-0665-0-55	45	24.4	26.6	23.2	22	25.6	23.0	23	27.6	24
FH12S-50S-0.5SH(55)	CL586-0642-5-55	50	26.9	29.1	25.7	24.5	28.1	25.5	25.5	30.1	26.5
FH12S-53S-0.5SH(55)	CL586-0691-0-55	53	28.4	30.6	27.2	26	29.6	27.0	27	31.6	28

DIMENSION TABLE OF DRAWING FOR PACKING

PART NO.	CODE NO.	*	K	L	M	N	P	Q	R
FH12S-30S-0.5SH(55)	CL586-0667-6-55	30	32	28.4	14.2	19.8	15.5	33.4	37.4
FH12S-40S-0.5SH(55)	CL586-0640-0-55	40	44	40.4	20.2	24.8	20.5	45.4	49.4
FH12S-45S-0.5SH(55)	CL586-0665-0-55	45	44	40.4	20.2	27.3	23	45.4	49.4
FH12S-50S-0.5SH(55)	CL586-0642-5-55	50	44	40.4	20.2	29.8	25.5	45.4	49.4
FH12S-53S-0.5SH(55)	CL586-0691-0-55	53	44	40.4	20.2	31.3	27	45.4	49.4

\* : NUMBER OF CONTACTS

- NOTE
- 5 THE DIMENSION IN PARENTHESES ARE FOR REFERENCE.
  - 6 1 REEL : 2000 CONNECTORS.
  - 7 SEE DIMENSION TABLE.



DRAWING FOR PACKING

DRAWING NO.	EDC3-153313-51
PART NO.	FH12S-*S-0.5SH(55)
CODE NO.	CL586



DRAWING NO.	EDC3-153313-51
PART NO.	FH12S-*S-0.5SH(55)
CODE NO.	CL586

