



Chipsmall Limited consists of a professional team with an average of over 10 year of expertise in the distribution of electronic components. Based in Hongkong, we have already established firm and mutual-benefit business relationships with customers from,Europe,America and south Asia,supplying obsolete and hard-to-find components to meet their specific needs.

With the principle of “Quality Parts,Customers Priority,Honest Operation,and Considerate Service”,our business mainly focus on the distribution of electronic components. Line cards we deal with include Microchip,ALPS,ROHM,Xilinx,Pulse,ON,Everlight and Freescale. Main products comprise IC,Modules,Potentiometer,IC Socket,Relay,Connector.Our parts cover such applications as commercial,industrial, and automotives areas.

We are looking forward to setting up business relationship with you and hope to provide you with the best service and solution. Let us make a better world for our industry!



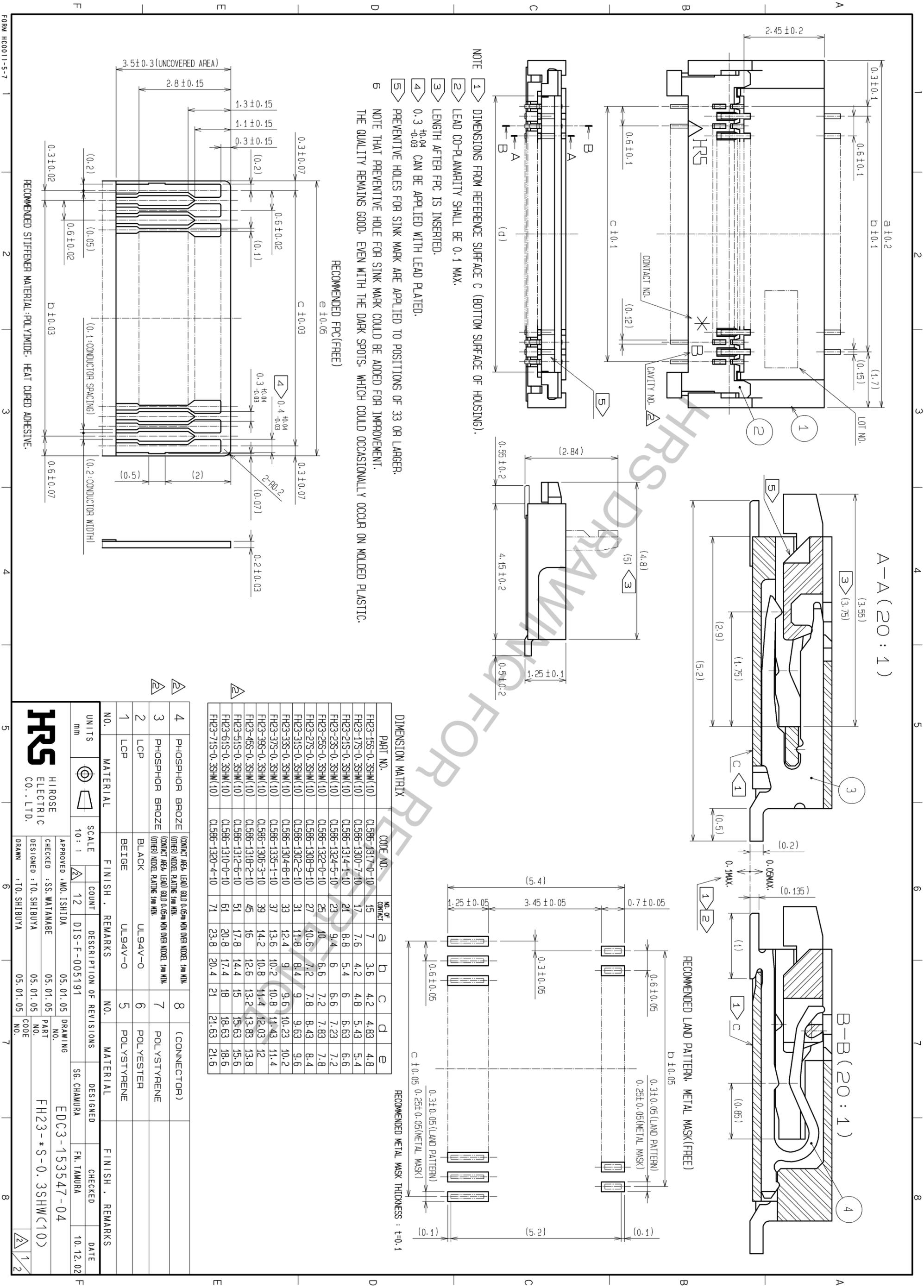
Contact us

Tel: +86-755-8981 8866 Fax: +86-755-8427 6832

Email & Skype: info@chipsmall.com Web: www.chipsmall.com

Address: A1208, Overseas Decoration Building, #122 Zhenhua RD., Futian, Shenzhen, China





FORM HC0011-5-7

| NO. | MATERIAL | FINISH | REMARKS | NO. | MATERIAL | FINISH | REMARKS |
|-----|----------------|---|---------|-----|-------------|--------|---------|
| 1 | LCP | BEIGE | UL94V-0 | 5 | POLYESTER | | |
| 2 | LCP | BLACK | UL94V-0 | 6 | POLYSTYRENE | | |
| 3 | PHOSPHOR BROZE | (OTHER) MODEL PLATING 1μm MIN. | | 7 | POLYSTYRENE | | |
| 4 | PHOSPHOR BROZE | (CONTACT AREA, LEAD) GOLD 0.05μm MIN OVER NICKEL 1μm MIN. | | 8 | (CONNECTOR) | | |

| UNITS | SCALE | COUNT | DESCRIPTION OF REVISIONS | DESIGNED | CHECKED | DATE |
|-------|-------|-------|--------------------------|-------------|------------|----------|
| mm | 10:1 | 12 | DIS-F-005191 | SG. CHAMURA | FN. TAMURA | 10.12.02 |

| APPROVED | CHECKED | DESIGNED | PART NO. | DRAWING NO. |
|------------|--------------|-------------|-------------------|----------------|
| MO. ISHIDA | SS. WATANABE | SG. CHAMURA | FH23-S-0.3SHW(10) | EDC3-153547-04 |

| DESIGNED | CHECKED | DATE |
|-------------|-------------|----------|
| TO. SHIBUYA | TO. SHIBUYA | 10.12.02 |

| DRAWN | CODE | NO. |
|-------------|----------|-----|
| TO. SHIBUYA | 05.01.05 | 1 |

| APPROVED | CHECKED | DATE |
|------------|--------------|----------|
| MO. ISHIDA | SS. WATANABE | 10.12.02 |

| DESIGNED | CHECKED | DATE |
|-------------|-------------|----------|
| TO. SHIBUYA | TO. SHIBUYA | 10.12.02 |

| DRAWN | CODE | NO. |
|-------------|----------|-----|
| TO. SHIBUYA | 05.01.05 | 1 |

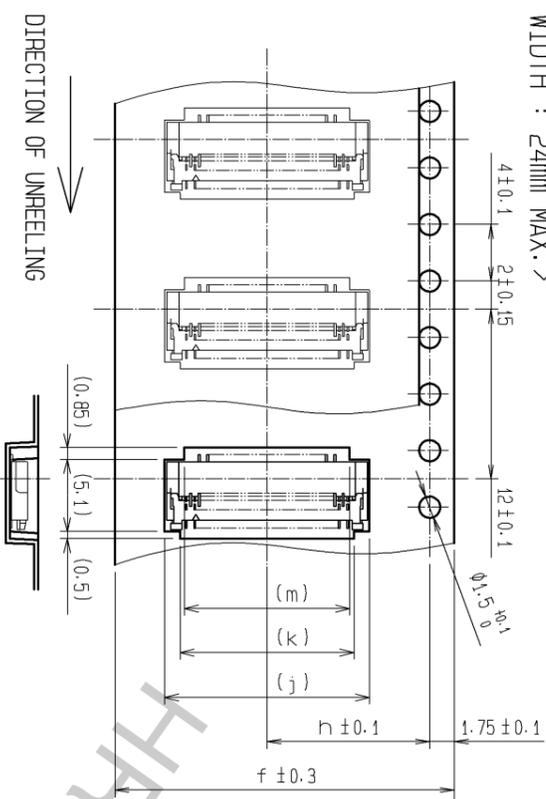
| APPROVED | CHECKED | DATE |
|------------|--------------|----------|
| MO. ISHIDA | SS. WATANABE | 10.12.02 |

| DESIGNED | CHECKED | DATE |
|-------------|-------------|----------|
| TO. SHIBUYA | TO. SHIBUYA | 10.12.02 |

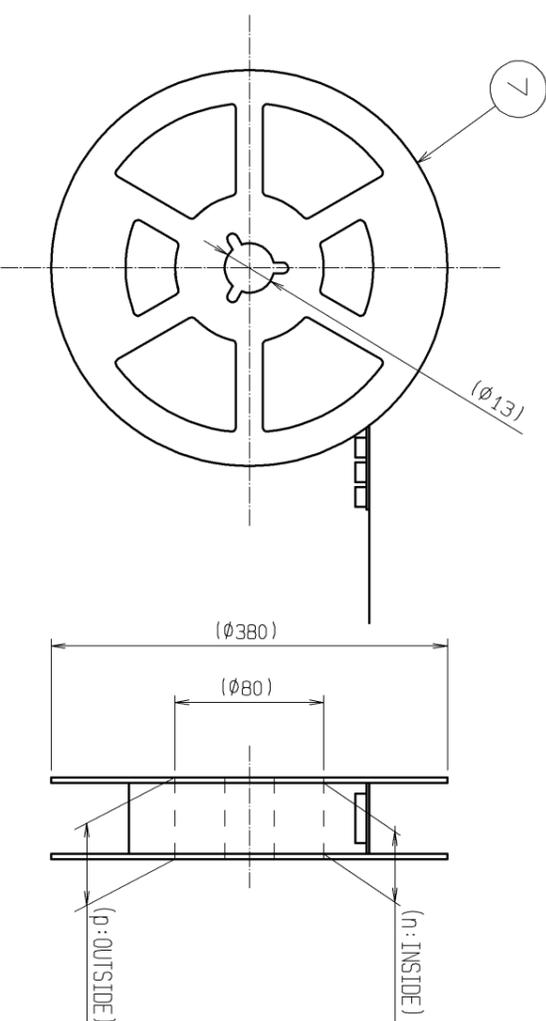
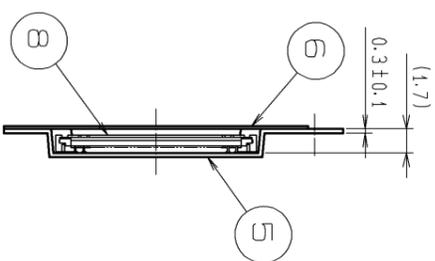
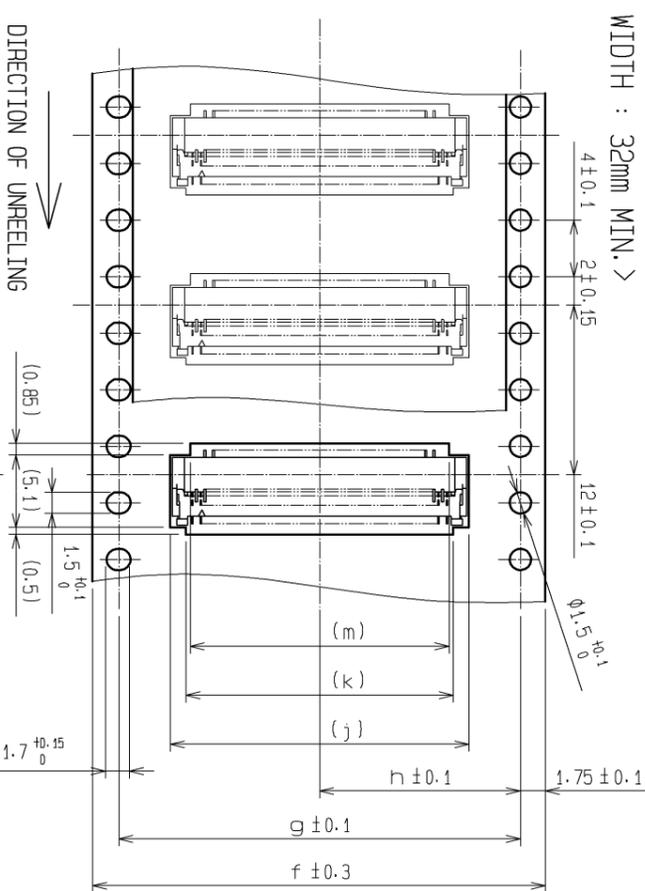
| DRAWN | CODE | NO. |
|-------------|----------|-----|
| TO. SHIBUYA | 05.01.05 | 1 |

EMBOSSED CARRIER TAPE DIMENSION(2:1)

<Tape Width : 24mm Max.>



<Tape Width : 32mm Min.>



REEL DIMENSION(FREE)

NOTES 7 THE DIMENSIONS IN PARENTHESES ARE FOR REFERENCE.

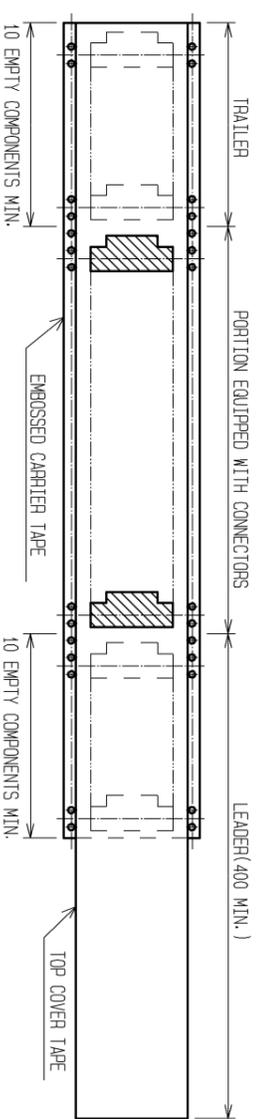
8 PER REEL : 2500 CONNECTORS.

9 REFER TO JIS C 0806 (PACKAGING OF COMPONENTS FOR AUTOMATIC HANDLING.)

DIMENSION MATRIX

| PART NO. | CODE NO. | CONNECTOR | f | g | h | j | k | m | n | p |
|---------------------|-----------------|-----------|----|------|------|------|------|------|------|---|
| FH23-15S-0.3SHW(10) | Q.586-1317-0-10 | 15 | 16 | 7.5 | 7.3 | 5.1 | 4.5 | 17.4 | 21.4 | |
| FH23-17S-0.3SHW(10) | Q.586-1300-7-10 | 17 | 16 | 7.5 | 7.9 | 5.7 | 5.1 | 17.4 | 21.4 | |
| FH23-21S-0.3SHW(10) | Q.586-1314-1-10 | 21 | 16 | 7.5 | 9.1 | 6.9 | 6.3 | 17.4 | 21.4 | |
| FH23-23S-0.3SHW(10) | Q.586-1324-5-10 | 23 | 24 | 11.5 | 9.7 | 7.5 | 6.9 | 25.4 | 29.4 | |
| FH23-25S-0.3SHW(10) | Q.586-1322-0-10 | 25 | 24 | 11.5 | 10.3 | 8.1 | 7.5 | 25.4 | 29.4 | |
| FH23-27S-0.3SHW(10) | Q.586-1308-9-10 | 27 | 24 | 11.5 | 10.9 | 8.7 | 8.1 | 25.4 | 29.4 | |
| FH23-31S-0.3SHW(10) | Q.586-1302-2-10 | 31 | 24 | 11.5 | 12.1 | 9.9 | 9.3 | 25.4 | 29.4 | |
| FH23-33S-0.3SHW(10) | Q.586-1304-8-10 | 33 | 24 | 11.5 | 12.7 | 10.5 | 9.9 | 25.4 | 29.4 | |
| FH23-37S-0.3SHW(10) | Q.586-1335-1-10 | 37 | 24 | 11.5 | 13.9 | 11.7 | 11.1 | 25.4 | 29.4 | |
| FH23-39S-0.3SHW(10) | Q.586-1306-3-10 | 39 | 24 | 11.5 | 14.5 | 12.3 | 11.7 | 25.4 | 29.4 | |
| FH23-45S-0.3SHW(10) | Q.586-1318-2-10 | 45 | 24 | 11.5 | 16.3 | 14.1 | 13.5 | 25.4 | 29.4 | |
| FH23-51S-0.3SHW(10) | Q.586-1312-6-10 | 51 | 32 | 28.4 | 14.2 | 18.1 | 15.9 | 33.4 | 37.4 | |
| FH23-61S-0.3SHW(10) | Q.586-1310-0-10 | 61 | 32 | 28.4 | 14.2 | 21.1 | 18.9 | 33.4 | 37.4 | |
| FH23-71S-0.3SHW(10) | Q.586-1320-4-10 | 71 | 44 | 40.4 | 20.2 | 24.1 | 21.9 | 45.4 | 49.4 | |

<Tape Width : 32mm Min.>



<Tape Width : 24mm Max.>

