



Chipsmall Limited consists of a professional team with an average of over 10 year of expertise in the distribution of electronic components. Based in Hongkong, we have already established firm and mutual-benefit business relationships with customers from,Europe,America and south Asia,supplying obsolete and hard-to-find components to meet their specific needs.

With the principle of “Quality Parts,Customers Priority,Honest Operation,and Considerate Service”,our business mainly focus on the distribution of electronic components. Line cards we deal with include Microchip,ALPS,ROHM,Xilinx,Pulse,ON,Everlight and Freescale. Main products comprise IC,Modules,Potentiometer,IC Socket,Relay,Connector.Our parts cover such applications as commercial,industrial, and automotives areas.

We are looking forward to setting up business relationship with you and hope to provide you with the best service and solution. Let us make a better world for our industry!



Contact us

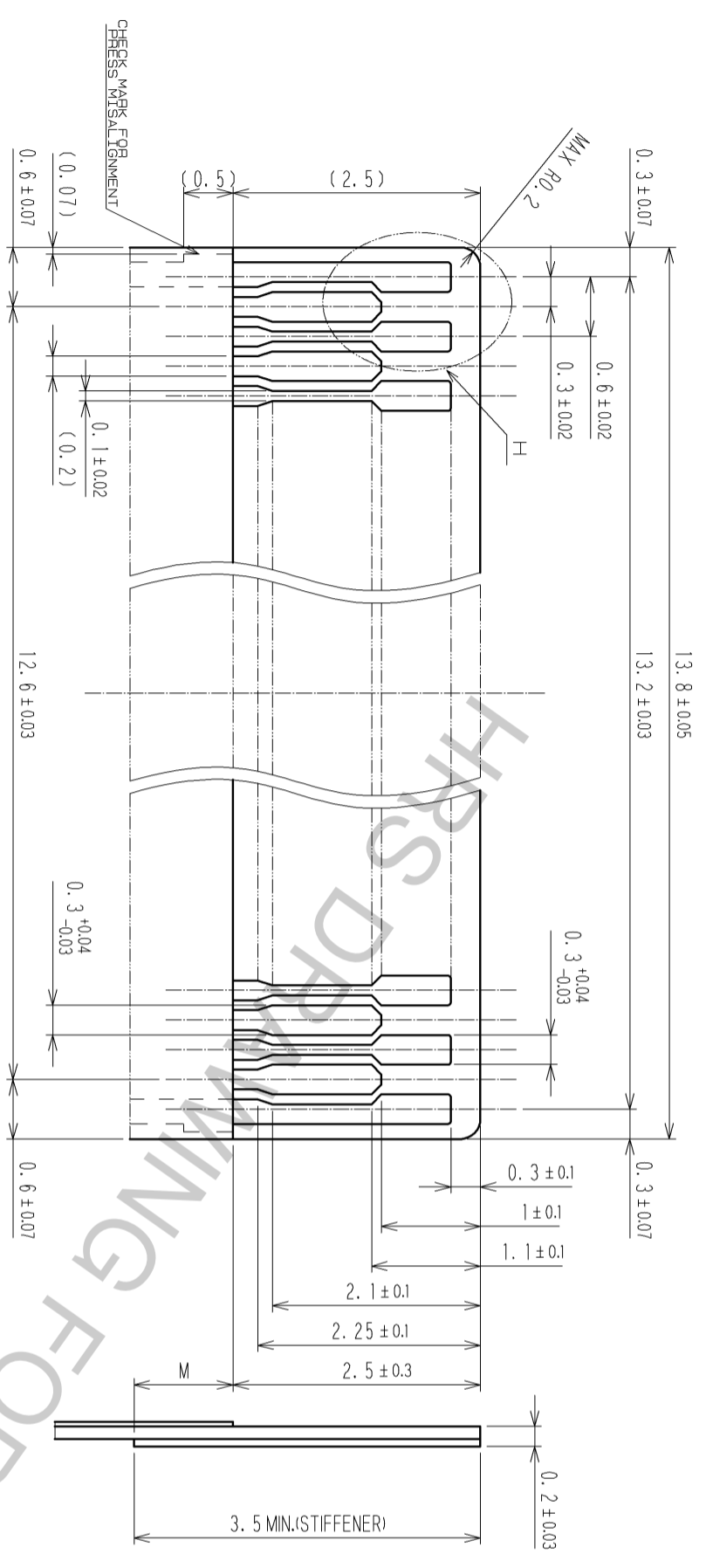
Tel: +86-755-8981 8866 Fax: +86-755-8427 6832

Email & Skype: info@chipsmall.com Web: www.chipsmall.com

Address: A1208, Overseas Decoration Building, #122 Zhenhua RD., Futian, Shenzhen, China



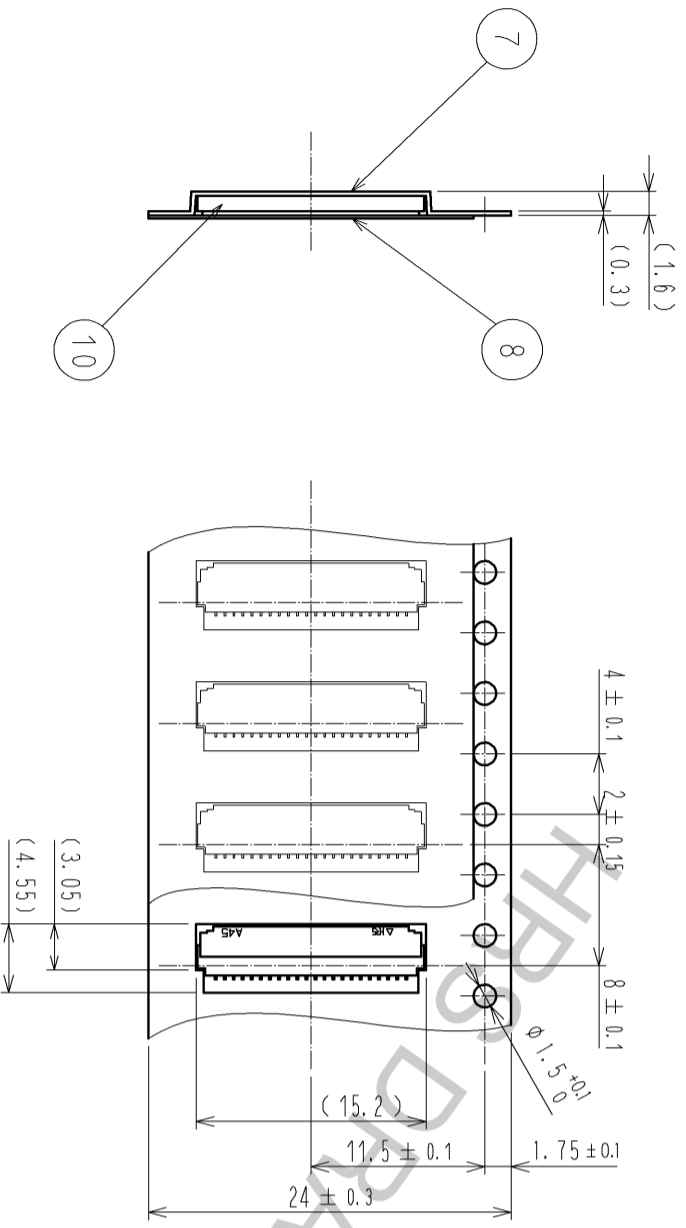
RECOMMENDED FPC(FREE)
 (SCALE:FREE)



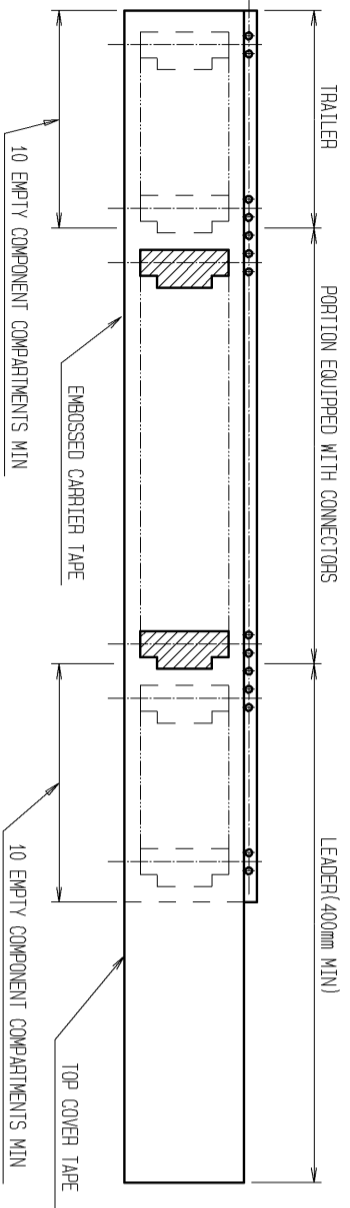
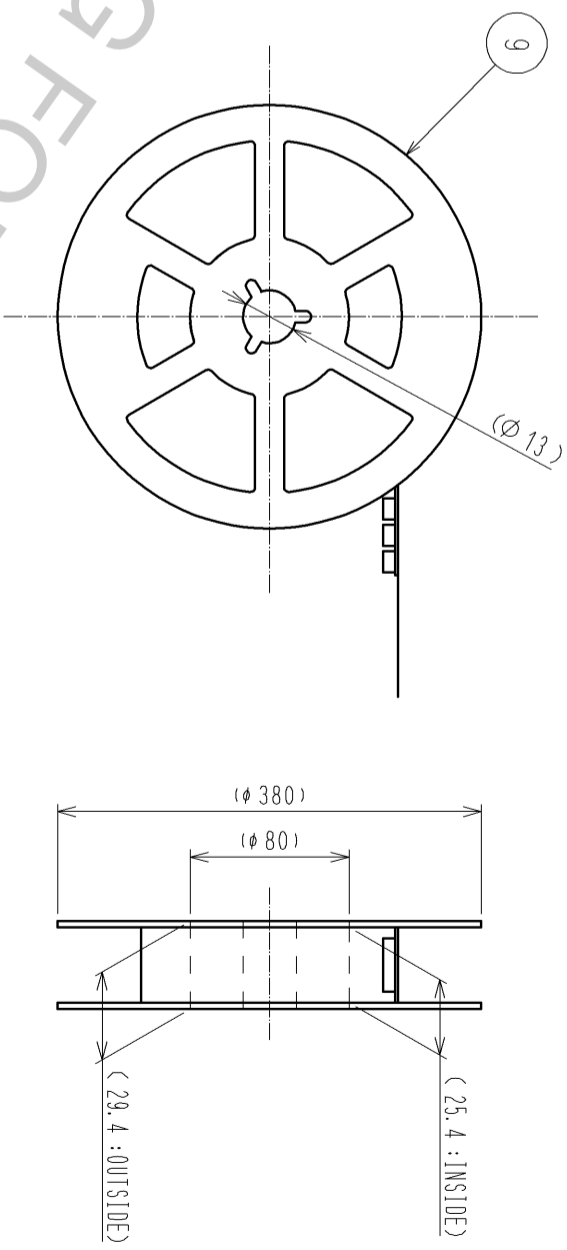
FPC CONSTRUCTION Recommended Specifications

| MATERIAL NAME | MATERIAL | THICKNESS(mm) |
|---------------------------------|--|---------------|
| COVERING FILM LAYER. | POLYIMIDE 1mi1 thick. | 25 |
| COVER ADHESIVE | | 25 |
| SURFACE TREATMENT | 1 μm TO 5 μm NICKEL UNDERPLATED 0.2 μm GOLD PLATED. | (3) |
| COPPER FOIL | Cu 1 OZ | 35 |
| BASE ADHESIVE | HEAT-HARDENED ADHESIVE | 25 |
| BASE FILM | POLYIMIDE 1mi1 thick | 25 |
| REINFORCEMENT MATERIAL ADHESIVE | HEAT-HARDENED ADHESIVE | 40 |
| STIFFENER | POLYIMIDE 3mi1 thick | 75 |

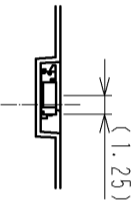
EMBOSSED CARRIER TAPE DIMENSION (2:1)



REEL DIMENSION (FREE)



DIRECTION OF UNREELING



- NOTE
- 4 THE DIMENSIONS IN PARENTHESES ARE FOR REFERENCE.
 - 5 PER REEL : 5000 CONNECTORS.
 - 6 REFER TO JIS C 0806 (PACKAGING OF COMPONENTS FOR AUTOMATIC HANDLING.)

FORM HCO011-5-8

2

3

4

5

6

7

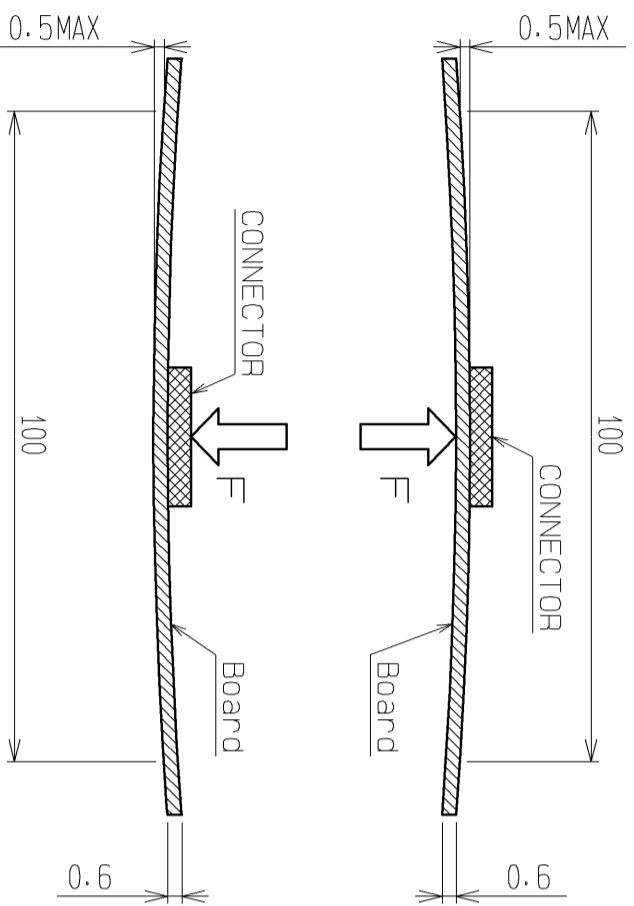
8

| | |
|-------------|----------------------|
| HRS | |
| DRAWING NO. | EDC3-157790-02 |
| PART NO. | FH26W-45S-0.3SHW(15) |
| CODE NO. | CL580-2414-3-15 |
| | 3/5 |

This connector is small and thin and requires delicate and careful handling.
 Read through the instructions shown below and handle the connector properly.
 Each value indicating here are for reference and may differ from standard value.

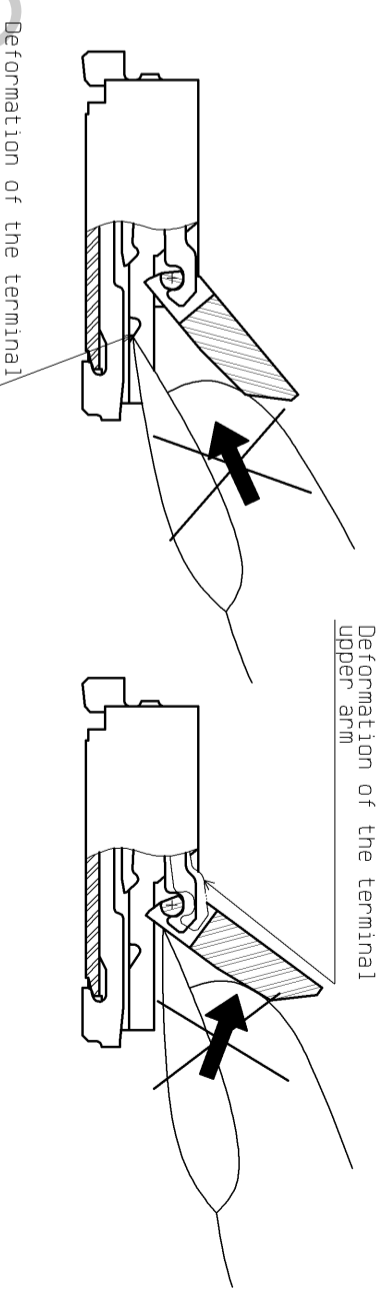
[INSTRUCTIONS FOR MOUNTING ON THE BOARD]

- ◆Warp of Board
 Minimize warp of the board as much as possible.
 Lead co-planarity including reinforced metal fittings is 0.1mm or less.
 Too much warp of the board may result in a soldering failure.
- ◆Load to Connector
 Do not apply a force of 0.5 N or more to the connector before mounting it on the board.
 Otherwise, the connector may be broken.
 Do not insert the FPC or operate the connector before mounting it.
- ◆Load to Board
 •Splitting a large board into several pieces
 •Screwing the board
 Avoid the handling described above so that no force is exerted on the board during the assembly process.
 Otherwise, the connector may become defective.
- ◆Amount of Warp
 The warp of a 100-mm wide board should be 0.5 mm or less.
 The warp of board suffers stress on connector and the connector may become defective.



[INSTRUCTIONS ON INSERTING FPC AND CONNECTION]

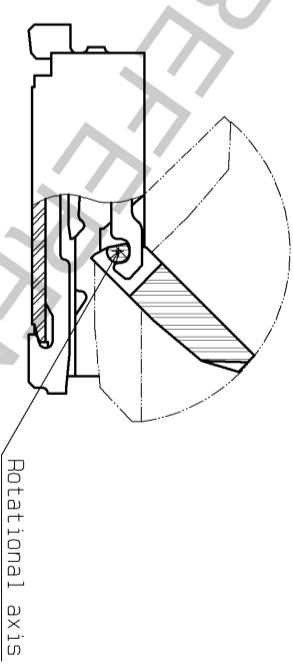
- ◆ Use of the actuator
 1. Be very careful not to apply excessive force when releasing the actuator in the initial position (with no FPC inserted).
 If you use your nail or finger as shown below, the terminals may be deformed.



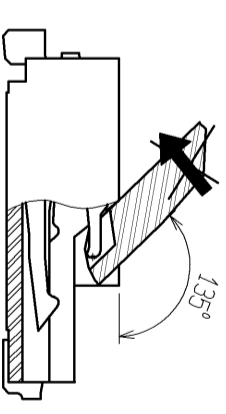
Example1.

Example2.

- 2. The actuator rotates around the rotational axis as shown below.
 Rotate the actuator.



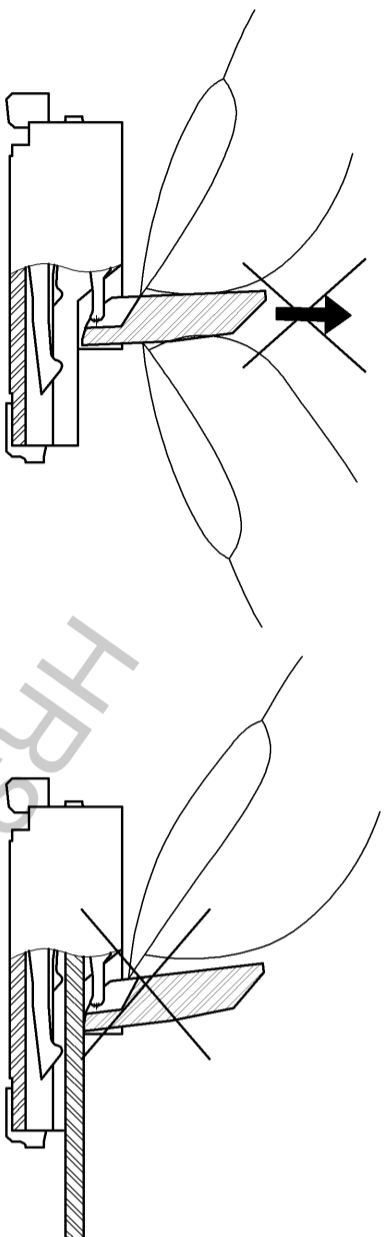
- 3. The actuator will not open more than 135°. Do not apply any force backward beyond this point. Otherwise, the actuator may come off or break.



| | | |
|------------|-------------|----------------------|
| HRS | DRAWING NO. | EDC3-157790-02 |
| | PART NO. | FH26W-45S-0.3SHW(15) |
| | CODE NO. | CL580-2414-3-15 |
| | 4/5 | |
| | 5 | |

In case that the application demands a high level of reliability, such as automotive, please contact a company representative for further information.

4. Move the actuator at approximately the center.
 5. Do not pinch or pick the actuator to lift it as shown below. Otherwise, it may break.
 (Do not carry out any operation other than rotating the actuator as shown in 2 above.)



- ◆Direction of Contacts
 This connector has contacts on the bottom. Thus, insert it with the exposed conductors face down.

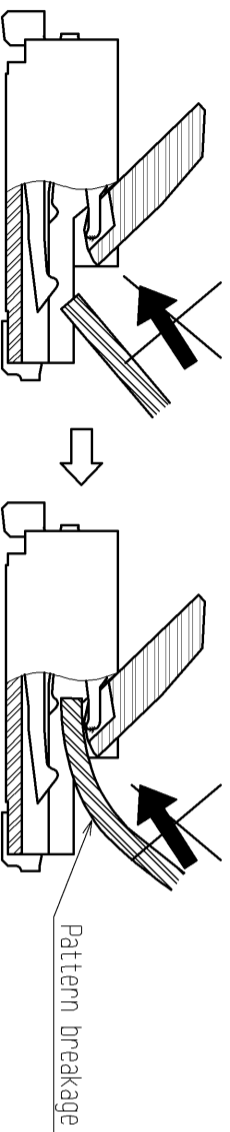
- ◆Inserting the FPC
 1. Insert the FPC horizontally along the surface and at a right angle to the connector.
 Insert it properly to the very end.

If the FPC is inserted at a slant (incorrectly), the conductors may short-circuit due to pitch shift or the edge of the FPC may catch in the terminals, resulting in deformation of the terminals. This connector has a ZIF structure, and its effective engagement length is 0.35 mm (when the recommended FPC nominal is used). Use the actuator carefully to prevent the FPC from dislocating after inserting it.

2. Do not insert the FPC diagonally from above.
 If the FPC is inserted at a slant (incorrectly) as shown below in the FPC insertion process, the FPC may bend and patterns may break or the FPC may not insert completely, resulting in improper conduction.

- ◆Keep a sufficient FPC insertion space in the stage of the layout in order to avoid incorrect FPC insertion.
 Besides, it is not difficult to insert FPC correctly all the way to the end.
 Design the proper layout of parts.

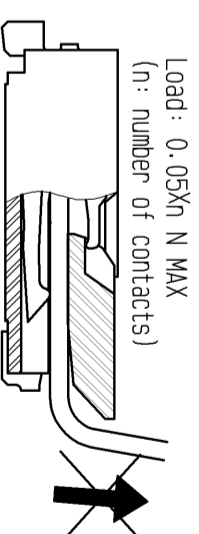
◆Make adjustments with the FPC manufacturer for FPC bending performance and wire breakage.



- ◆Checking the Locking Condition
 In the locked condition, make sure that the actuator is horizontal on the board surface.
 Do not apply excessive force to it near the 0° position of the actuator.
 Otherwise, the terminals may be deformed. (Allowable force: 1 N or less)

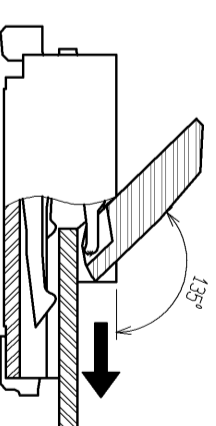
[INSTRUCTIONS ON FPC LAYOUT AFTER CONNECTION]

- ◆Load to FPC
 Be very careful not to apply any force to the FPC after inserting it. Otherwise, the connector may become unlocked or the FPC may break. Fix the FPC, in particular, when loads are applied to it continuously. Design the FPC layout with care not to bend it sharply near the insertion opening.



[INSTRUCTIONS ON REMOVING FPC]

- ◆Release the actuator to remove the FPC.



◆Instructions on Manual Soldering

- Follow the instructions shown below when soldering the connector manually during repair work, etc.
1. Do not perform reflow soldering or manual soldering with the FPC inserted into the connector.
 2. Do not heat the connector excessively. Be very careful not to let the soldering iron contact any parts other than connector leads. Otherwise, the connector may be deformed or melt.
 3. Do not use excessive solder (or flux).
- If excessive solder (or flux) is used on the terminals, solder or flux may adhere to the contacts or rotating parts of the actuator, resulting in poor contact or a rotation failure of the actuator.
 Supplying excessive solder to the reinforcing bracket may hinder actuator rotation, resulting in breakage of the connector.

| | |
|-------------|----------------------|
| HRS | |
| DRAWING NO. | EDC3-157790-02 |
| PART NO. | FH26W-45S-0.3SHW(15) |
| CODE NO. | CL580-2414-3-15 |
| | △ 5/5 |