



Chipsmall Limited consists of a professional team with an average of over 10 year of expertise in the distribution of electronic components. Based in Hongkong, we have already established firm and mutual-benefit business relationships with customers from,Europe,America and south Asia,supplying obsolete and hard-to-find components to meet their specific needs.

With the principle of “Quality Parts,Customers Priority,Honest Operation,and Considerate Service”,our business mainly focus on the distribution of electronic components. Line cards we deal with include Microchip,ALPS,ROHM,Xilinx,Pulse,ON,Everlight and Freescale. Main products comprise IC,Modules,Potentiometer,IC Socket,Relay,Connector.Our parts cover such applications as commercial,industrial, and automotives areas.

We are looking forward to setting up business relationship with you and hope to provide you with the best service and solution. Let us make a better world for our industry!



Contact us

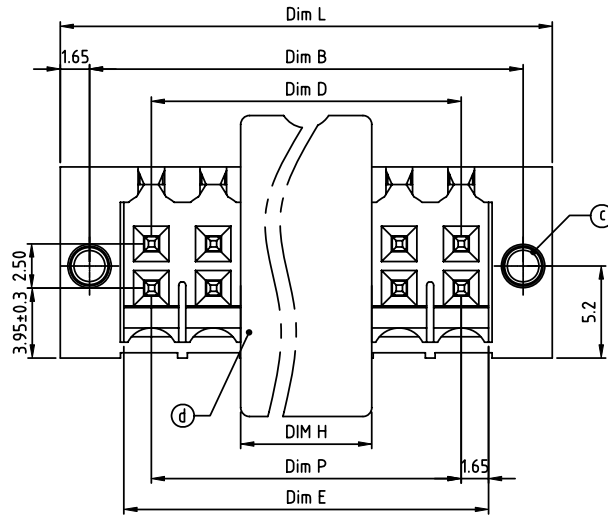
Tel: +86-755-8981 8866 Fax: +86-755-8427 6832

Email & Skype: info@chipsmall.com Web: www.chipsmall.com

Address: A1208, Overseas Decoration Building, #122 Zhenhua RD., Futian, Shenzhen, China

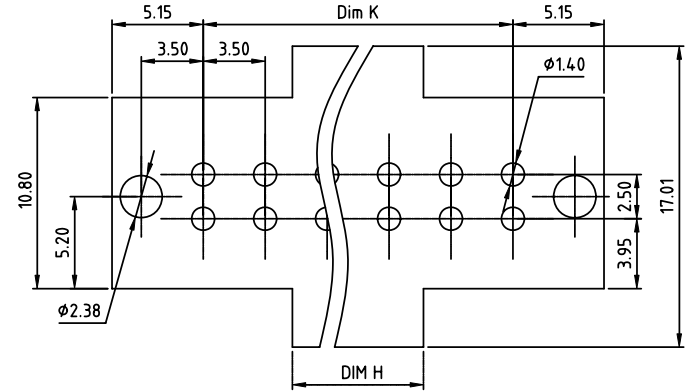


PRODUCT NUMBER	PITCH
VXxx1200B0J0G	3.50 mm



Cover:

POLES	2P	3P
DIM H	7.40	10.90



RECOMMENDED P.C.B LAYOUT
TOP VIEW

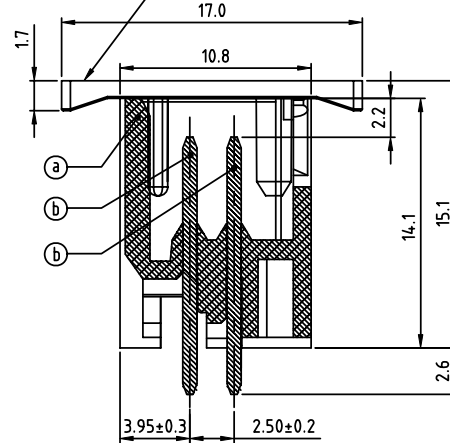
Material:

- Item ① Terminal housing: High temp. polyamide (UL94V-0)
- Item ② Pin: Brass, Tin plated
- Item ③ With flange nut: Brass, Nickel plated, M2.0
- Item ④ With cover: High temp. polyamide (UL94V-0)

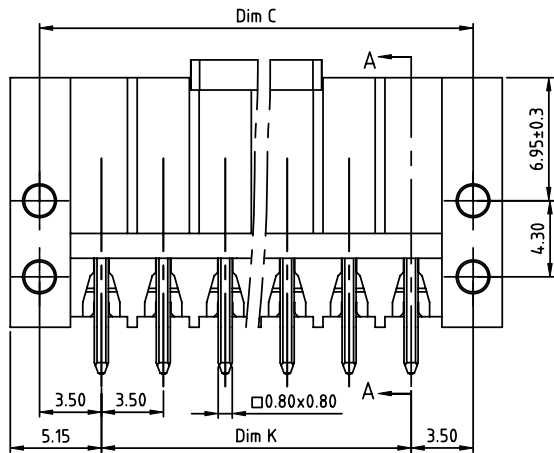
Electrical: cULus

- Voltage rating: 150V
- Current rating: 7A
- Withstanding Voltage: 1.3KV
- Operating temperature: -40°C to +115°C
- Soldering temperature: 260°C/10 Sec max
- Safety Approval:

Note: 3P Cover for odd poles
2p Cover for even poles



SECTION A-A



Dim L=(N/2-1)×3.5+10.3
Dim P=(N/2-1)×3.5
Dim K=(N/2-1)×3.5
Dim B=(N/2-1)×3.5+7.0
Dim C=(N/2-1)×3.5+7.0
Dim D=(N/2-1)×3.5
Dim E=(N/2-1)×3.5+3.3

N=Number of poles

Poles	Dim L	Dim P	Dim K	Dim B	Dim C	Dim D	Dim E
2x2p-2x6p	±0.15	±0.10	±0.10	±0.15	±0.15	±0.10	±0.15
2x7p-2x12p	±0.25	±0.20	±0.20	±0.25	±0.25	±0.20	±0.25
2x13p-2x16p	±0.35	±0.30	±0.30	±0.35	±0.35	±0.30	±0.35

PART NO.: VX xx 12 0 0 B0J0 G

Solid block
No. of poles
04 2x2 poles
06 2x3 poles
...
32 2x16 poles

Color
0 Black (RAL9005)

RoHS compliant
(lead<4%)
In copper Alloy

mat'l. code	surface ASME Y14.5	tolerance ASME Y14.5	projection	product family TERMINAL BLOCK
ltr	ecn	no	dr	date
tolerances unless otherwise specified				title TERMINAL BLOCK
angles	φ	±	MM	PLUGGABLE SOCKET, VERTICAL, WITH FLANGE, THR
X*±1°	X.±0.5	X.X±0.3	scale	sheet 1 of 1 size
dr	EVIN ZHONG	050814		dwg no VXxx1200B0J0G
enr	EVIN ZHONG	050814		A4
chr	HANKE FENG	050814		type CUSTOMER Drawing
appd	SHI JUN	050814		
sheet index	revision	A		
	sheet	1		