



Chipsmall Limited consists of a professional team with an average of over 10 year of expertise in the distribution of electronic components. Based in Hongkong, we have already established firm and mutual-benefit business relationships with customers from,Europe,America and south Asia,supplying obsolete and hard-to-find components to meet their specific needs.

With the principle of “Quality Parts,Customers Priority,Honest Operation,and Considerate Service”,our business mainly focus on the distribution of electronic components. Line cards we deal with include Microchip,ALPS,ROHM,Xilinx,Pulse,ON,Everlight and Freescale. Main products comprise IC,Modules,Potentiometer,IC Socket,Relay,Connector.Our parts cover such applications as commercial,industrial, and automotives areas.

We are looking forward to setting up business relationship with you and hope to provide you with the best service and solution. Let us make a better world for our industry!



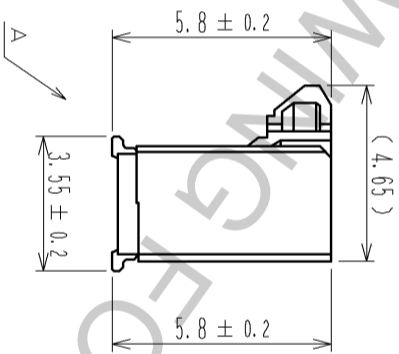
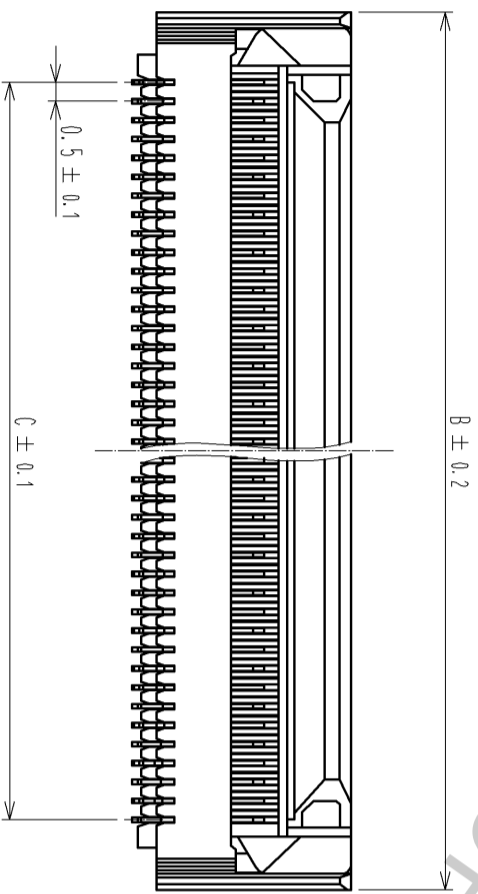
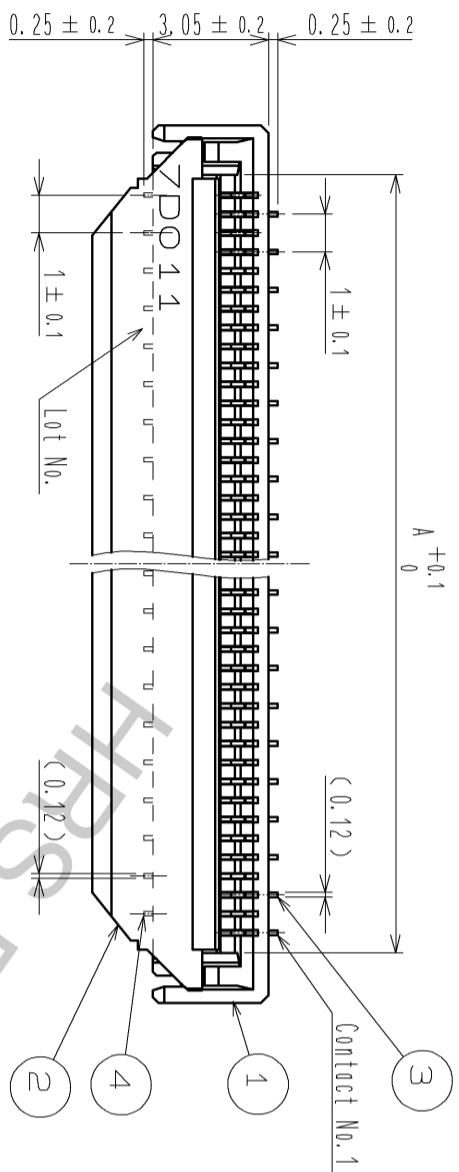
Contact us

Tel: +86-755-8981 8866 Fax: +86-755-8427 6832

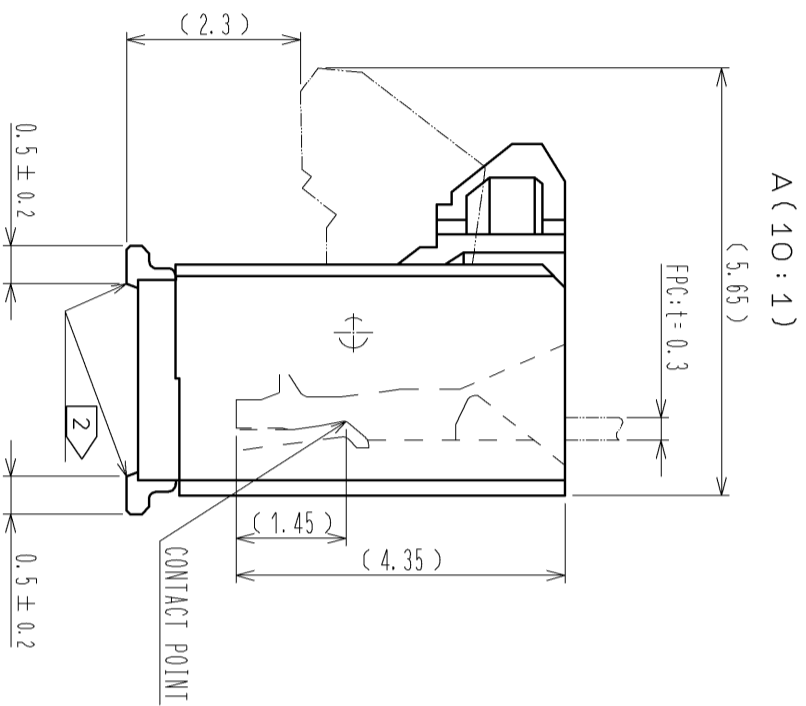
Email & Skype: info@chipsmall.com Web: www.chipsmall.com

Address: A1208, Overseas Decoration Building, #122 Zhenhua RD., Futian, Shenzhen, China





- NOTES
- The dimension in parentheses are for reference.
 - Lead CO-PLANARITY shall be 0.1 MAX.
 - See dimension table in the appendix.
 - This product satisfies halogen free requirements defined as 900ppm maximum chlorine, 900ppm maximum bromine and 1500ppm maximum total of chlorine and bromine.
 - 'n' represents the number of contacts.

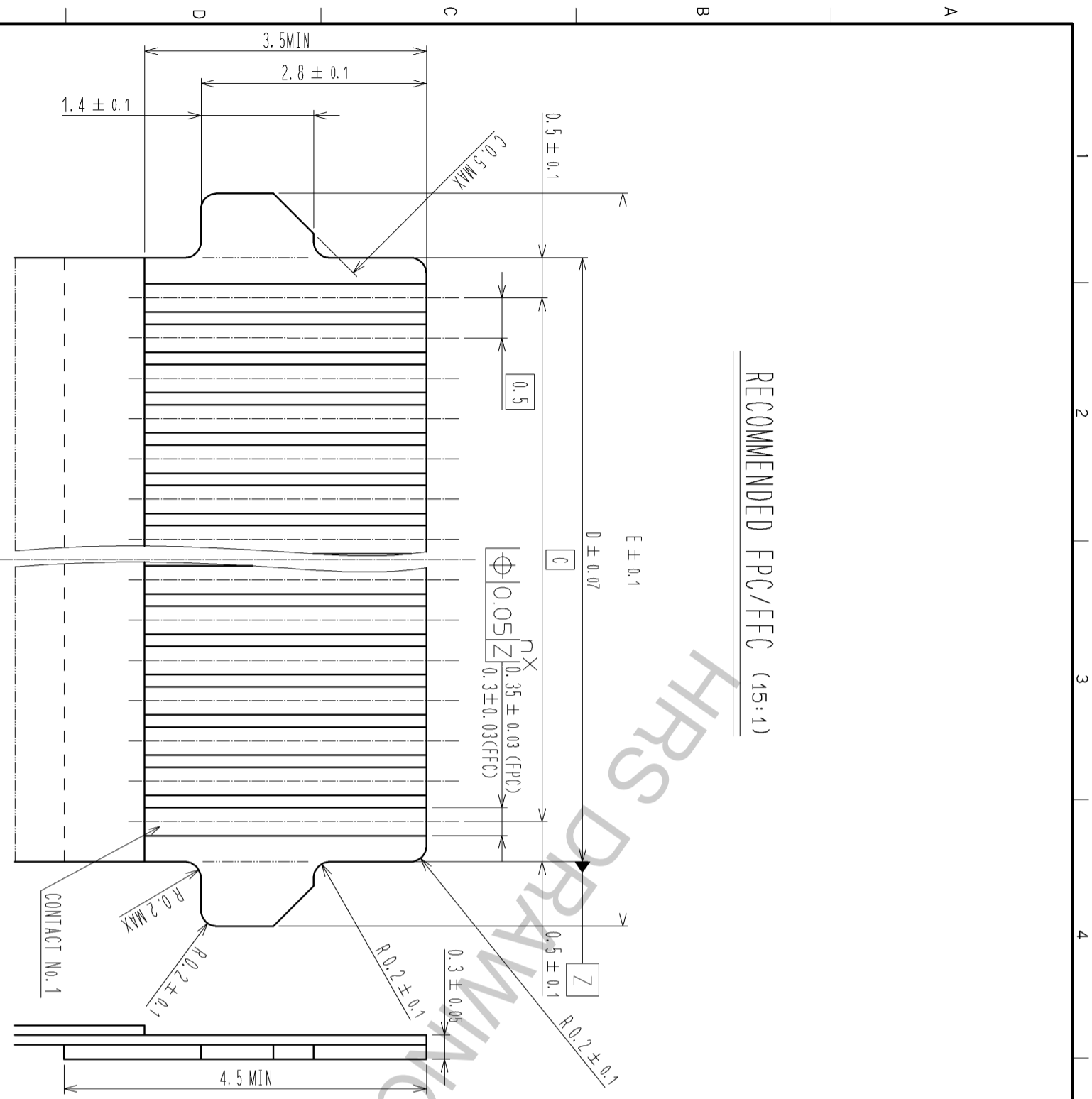


4	PHOSPHOR BRONZE	(CONTACT AREA, LEAD) GOLD PLATING 0.05μm MIN. OVER NICKEL 1μm MIN. (OTHER) NICKEL 1μm MIN.	8	(CONNECTOR)	
3	PHOSPHOR BRONZE	(CONTACT AREA, LEAD) GOLD PLATING 0.05μm MIN. OVER NICKEL 1μm MIN. (OTHER) NICKEL 1μm MIN.	7	POLYSTYRENE	
2	LCP	(BLACK)	6	POLYESTER	
1	LCP	(BEIGE)	5	POLYSTYRENE	
NO.	MATERIAL	FINISH . REMARKS	NO.	MATERIAL	FINISH . REMARKS

UNITS	SCALE	COUNT	DESCRIPTION OF REVISIONS	DESIGNED	CHECKED	DATE
mm	5 : 1					

APPROVED : NF. MIYAZAKI	14.12.24	DRAWING NO.	EDC3-159298-05
CHECKED : HS. SAKAMOTO	14.12.24	PART NO.	FH40-**-S-0.5SV
DESIGNED : RT. IKEDA	14.12.24	CODE NO.	CL580
DRAWN : RK. OGASAWARA	14.12.22		

HRS
HIROSE
ELECTRIC
CO., LTD.



RECOMMENDED FPC/FCC (15:1)

FPC CONFIGURATION (REFERENCE EXAMPLE)

(SCALE: FREE)

MATERIAL NAME	MATERIAL	THICKNESS(μm)
COVERING FILM LAYER	POLYIMIDE 1μm1 thick.	25
COVER ADHESIVE		25
SURFACE TREATMENT	Nickel undercoat 1 to 5μm + Gold plating 0.2μm	3
COPPER FOIL	CU 1 OZ	35
BASE ADHESIVE	HEAT-HARDENED ADHESIVE	25
BASE FILM	POLYIMIDE 1μm1 thick	25
REINFORCEMENT MATERIAL ADHESIVE	HEAT-HARDENED ADHESIVE	30
STIFFENER FILM	POLYIMIDE 7 μm1 thick	175

FCC CONFIGURATION (REFERENCE EXAMPLE)

(SCALE: FREE)

MATERIAL NAME	MATERIAL	THICKNESS(μm)
POLYESTER FILM		12
ADHESIVE	THERMOPLASTIC POLYESTER	30
GOLD PLATED SOFT COPPER FILM		35
ADHESIVE	POLYESTER	30
POLYESTER		12
ADHESIVE	POLYESTER	30
STIFFENER FILM	POLYESTER	188

FORM HC0011-5-8

1 2 3 4 5 6 7 8

A B C D E F

DRAWING NO.	EDC3-159298-05
PART NO.	FH40-*S-0.5SV
CODE	CL580

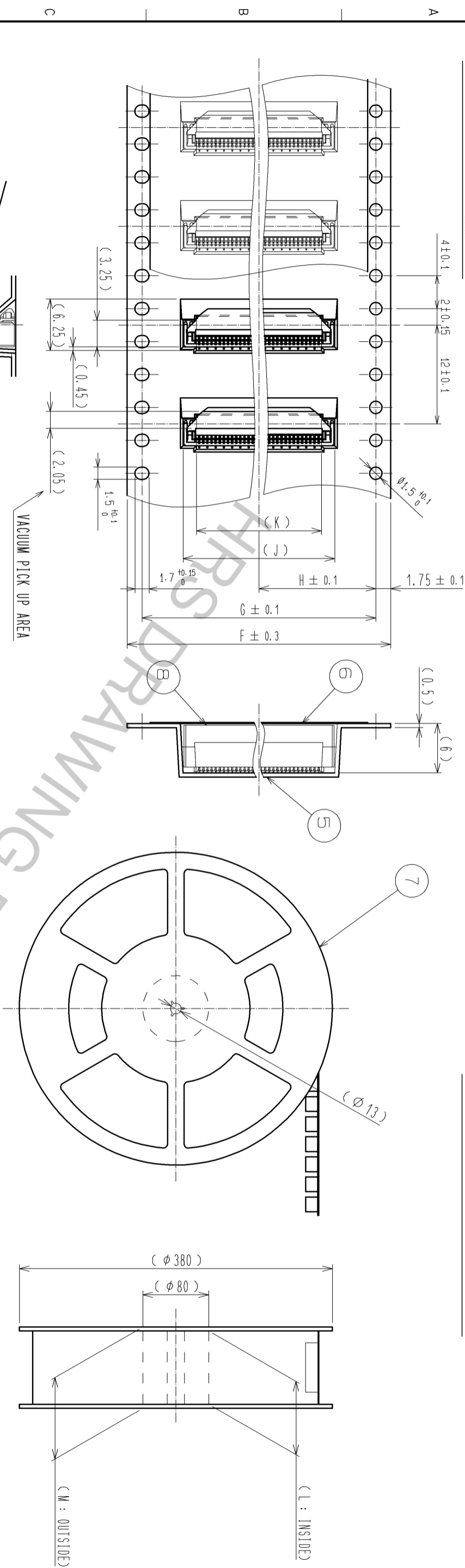
HRS

3/5

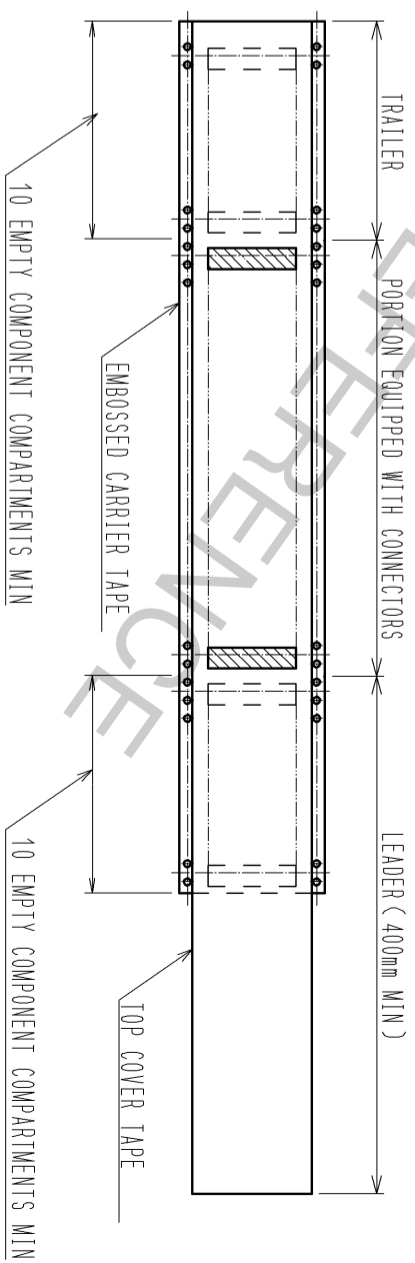
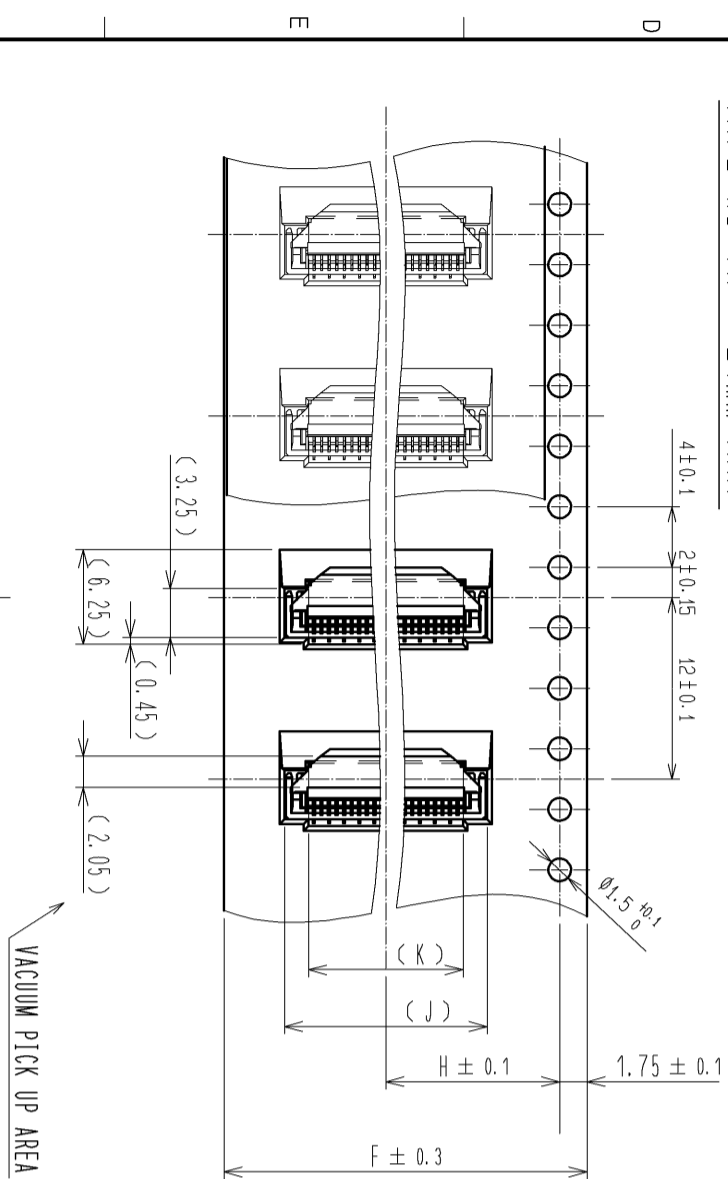
EMBOSSED CARRIER TAPE DIMENSION (2:1)

TAPE WIDTH : 32mm MIN

REEL DIMENSIONS (No Scale)



TAPE WIDTH : 24mm MAX



- NOTES
6. 1 reel : 1000 connectors.
 7. Refer to JIS C 0806. (Packaging of components for automatic handling.)
 8. See dimension table in the appendix.

<DRAWING FOR PACKING>

HRS	
DRAWING NO.	EDC3-159298-05
PART NO.	FH40-**-S-0.5SV
CODE NO.	CL580
	4/5

PART NO.	CODE NO.	NUMBER OF CONTACT	DIMENSION OF CONNECTOR, PCB MOUNTING PATTERN, STENCIL PATTERN AND FFC/FPC						DIMENSION OF DRAWING FOR PACKING					
			A	B	C	D	E	F	G	H	J	K	L	M
FH40-10S-0.5SV	CL580-2104-6	10	5.57	8.2	4.5	5.5	7.1	16	—	7.5	8.4	5.2	17.4	21.4
FH40-20S-0.5SV	CL580-2105-9	20	10.57	13.2	9.5	10.5	12.1	24	—	11.5	13.4	10.2	25.4	29.4
FH40-24S-0.5SV	CL580-2106-1	24	12.57	15.2	11.5	12.5	14.1	24	—	11.5	15.4	12.2	25.4	29.4
FH40-30S-0.5SV	CL580-2108-7	30	15.57	18.2	14.5	15.5	17.1	32	28.4	14.2	18.4	15.2	33.4	37.4
FH40-40S-0.5SV	CL580-2107-4	40	20.57	23.2	19.5	20.5	22.1	44	40.4	20.2	23.4	20.2	45.4	49.4
FH40-45S-0.5SV	CL580-2101-8	45	23.07	25.7	22	23	24.6	44	40.4	20.2	25.9	22.7	45.4	49.4
FH40-50S-0.5SV	CL580-2100-5	50	25.57	28.2	24.5	25.5	27.1	44	40.4	20.2	28.4	25.2	45.4	49.4
FH40-60S-0.5SV	CL580-2109-0	60	30.57	33.2	29.5	30.5	32.1	56	52.4	26.2	33.4	30.2	57.4	61.4
FH40-64S-0.5SV	CL580-2102-0	64	32.57	35.2	31.5	32.5	34.1	56	52.4	26.2	35.4	32.2	57.4	61.4
FH40-80S-0.5SV	CL580-2103-3	80	40.57	43.2	39.5	40.5	42.1	56	52.4	26.2	43.4	40.2	57.4	61.4

HRS REFERENCE

HRS	
DRAWING NO.	EDC3-159298-05
PART NO.	FH40-**-S-0.5SV
CODE NO.	CL580
NO.	5/5