



Chipsmall Limited consists of a professional team with an average of over 10 year of expertise in the distribution of electronic components. Based in Hongkong, we have already established firm and mutual-benefit business relationships with customers from,Europe,America and south Asia,supplying obsolete and hard-to-find components to meet their specific needs.

With the principle of "Quality Parts,Customers Priority,Honest Operation,and Considerate Service",our business mainly focus on the distribution of electronic components. Line cards we deal with include Microchip,ALPS,ROHM,Xilinx,Pulse,ON,Everlight and Freescale. Main products comprise IC,Modules,Potentiometer,IC Socket,Relay,Connector.Our parts cover such applications as commercial,industrial, and automotives areas.

We are looking forward to setting up business relationship with you and hope to provide you with the best service and solution. Let us make a better world for our industry!



## Contact us

Tel: +86-755-8981 8866 Fax: +86-755-8427 6832

Email & Skype: info@chipsmall.com Web: www.chipsmall.com

Address: A1208, Overseas Decoration Building, #122 Zhenhua RD., Futian, Shenzhen, China



# INLINE FUSE HOLDER FOR ATO® STYLE BLADE FUSE

RoHS



## Description

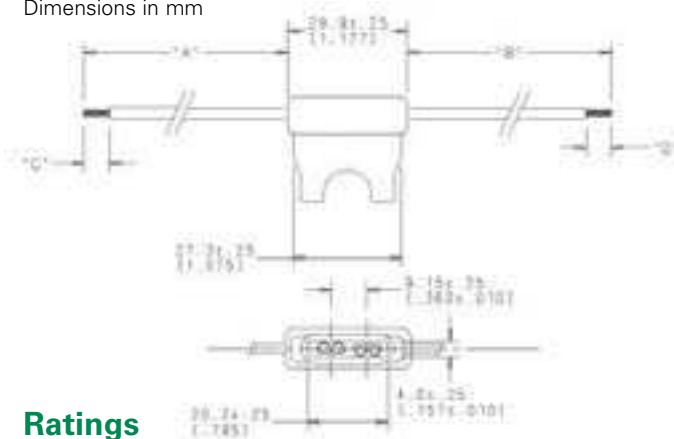
Used with ATO®/ FKS Fuse. Supplied with two 4" / 102mm wire leads.

## Ordering Information

Part Number	Package Size
0FHA0001ZXJ	1000
0FHA0002ZXJ	1000

## Dimensions

Dimensions in mm



## Ratings

Part Number	Description	Fuse Rating
0FHA0001_	16AWG/1.3mm <sup>2</sup> stranded black wire	20 A
0FHA0002_	12AWG/3.3mm <sup>2</sup> stranded orange wire	30 A

Wire length, color and diameter can be customized upon request. Customization requires minimum order quantities depending on nature of modifications. Please contact your sales representative for details.

# INLINE SPLASHPROOF FUSE HOLDER

for ATO® Style Blade Fuse

RoHS



## Description

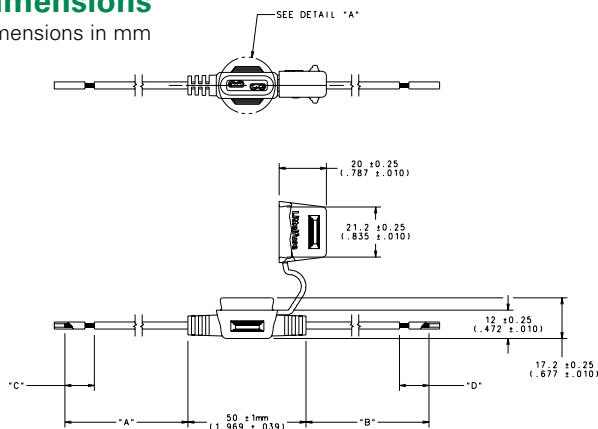
Used with ATO® / FKS Fuse. Supplied with two 3.5" / 90mm wire leads. Includes protective cover for harsh environment.

## Ordering Information

Part Number	Package Size
FHAC0001ZXJ	1000
FHAC0002ZXJ	1000

## Dimensions

Dimensions in mm



## Ratings

Part Number	Description	Fuse Rating
FHAC0001ZXJ	16AWG/1.3mm <sup>2</sup> stranded black wire	20 A
FHAC0002ZXJ	12AWG/3.3mm <sup>2</sup> stranded orange wire	30 A

Wire length, color and diameter can be customized upon request. Customization requires minimum order quantities depending on nature of modifications. Please contact your sales representative for details.