



Chipsmall Limited consists of a professional team with an average of over 10 year of expertise in the distribution of electronic components. Based in Hongkong, we have already established firm and mutual-benefit business relationships with customers from,Europe,America and south Asia,supplying obsolete and hard-to-find components to meet their specific needs.

With the principle of "Quality Parts,Customers Priority,Honest Operation,and Considerate Service",our business mainly focus on the distribution of electronic components. Line cards we deal with include Microchip,ALPS,ROHM,Xilinx,Pulse,ON,Everlight and Freescale. Main products comprise IC,Modules,Potentiometer,IC Socket,Relay,Connector.Our parts cover such applications as commercial,industrial, and automotives areas.

We are looking forward to setting up business relationship with you and hope to provide you with the best service and solution. Let us make a better world for our industry!



Contact us

Tel: +86-755-8981 8866 Fax: +86-755-8427 6832

Email & Skype: info@chipsmall.com Web: www.chipsmall.com

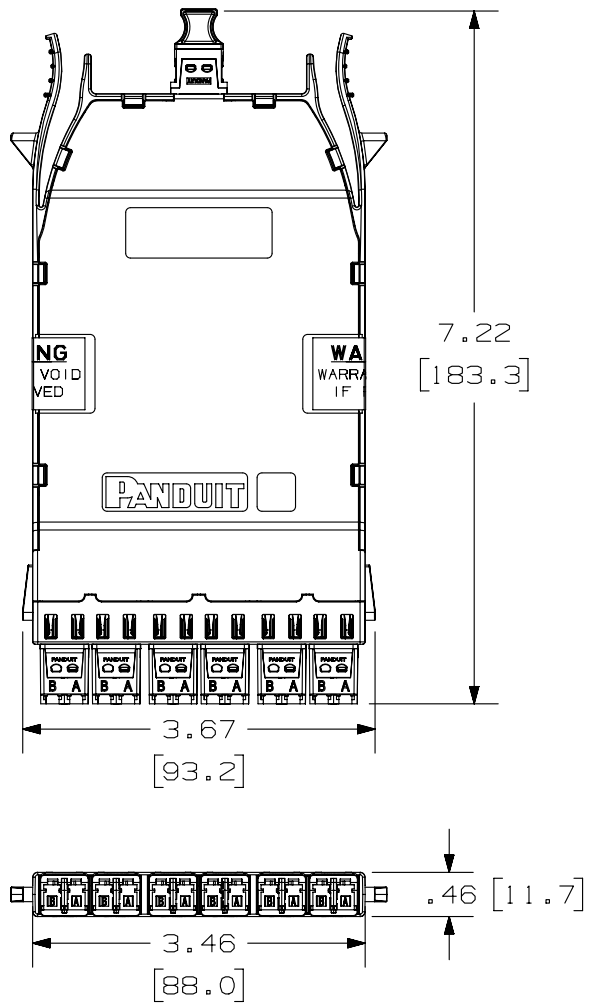
Address: A1208, Overseas Decoration Building, #122 Zhenhua RD., Futian, Shenzhen, China



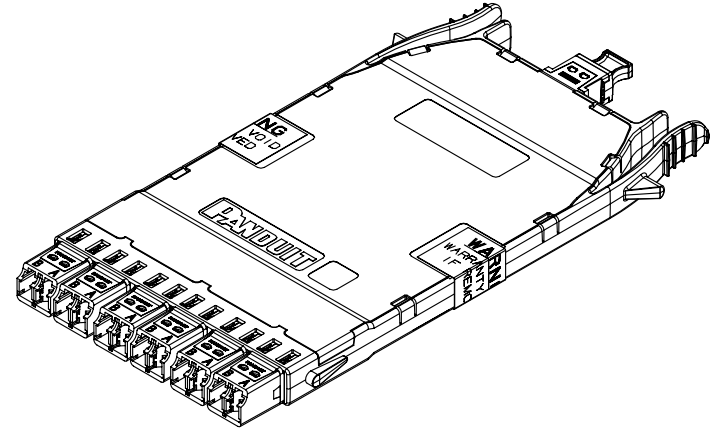
2

1

THIS COPY IS PROVIDED ON A RESTRICTED BASIS AND IS NOT TO BE USED IN ANY WAY DETRIMENTAL TO THE INTERESTS OF PANDUIT CORP.



- NOTES:
1. SEE CURRENT CATALOG FOR PART NUMBER SUFFIXES TO INDICATE COLOR AND/OR PACKAGE QUANTITIES.
 2. SEE CATALOG FOR COMPLETE LIST OF PARTS APPLICABLE FOR USE WITH THIS PRODUCT.
 3. PART NUMBERS: SEE SHEET 2 FOR ALL PART NUMBERS.
 4. CASSETTE WIRING COMPLIES WITH ANSI/TIA-568-C.0 SEE ANSI/TIA-568-C.0 FOR POLARITY DETAILS AND AN EXAMPLE OF A BASIC LINK.
 5. CASSETTE WEIGHT: 3oz (85g)
 6. SEE TABLE ON SHEET 2 FOR LIST OF PART NUMBERS.



00	01-22-15	SAT	JESA	RAR	RELEASED TO PRODUCTION	12F187HA-DC	
REV	DATE	BY	CHK	APR	DESCRIPTION	ECN	

TITLE HD FLEX 12 FIBER LC- MPO CASSETTE CUSTOMER DRAWING			
ITEM REVISION NAME 12F187HA/00		PANDUIT	
DATASET FILE NAME 12F187HA_DC/00B			
UNLESS OTHERWISE SPECIFIED, DIMENSIONAL TOLERANCES ARE: IN (mm)			
.x ± .1 [2.54]		.xxx ± .005 [.127]	
.xx ± .01 [.25]		ANGLES ± 5 °	
		THIRD ANGLE PROJECTION	
DRAWN BY SAT		DATE 01-22-15	
CHK JESA		SCALE NONE	
MATERIAL:		DRAWING NUMBER: 12F187HA-DC	
SHT 1 OF 2		SIZE A	

2

1

CASSETTE PART NUMBER	DESCRIPTION
FHCXO-12-10AS	12 FIBER LC - OM3 OPTIMIZED LOSS, POLARITY INDICATOR METHOD AS
FHCZO-12-10AS	12 FIBER LC - OM4 OPTIMIZED LOSS, POLARITY INDICATOR METHOD AS
FHCXO-12-10AF	12 FIBER LC - OM3 OPTIMIZED LOSS, POLARITY INDICATOR METHOD AF
FHCZO-12-10AF	12 FIBER LC - OM4 OPTIMIZED LOSS, POLARITY INDICATOR METHOD AF
FHCXO-12-10BN	12 FIBER LC - OM3 OPTIMIZED LOSS, POLARITY INDICATOR METHOD B
FHCZO-12-10BN	12 FIBER LC - OM4 OPTIMIZED LOSS, POLARITY INDICATOR METHOD B
FHCZA-12-10AS	12 FIBER LC - OM4 ULTRA LOW LOSS, POLARITY INDICATOR METHOD AS
FHCZA-12-10AF	12 FIBER LC - OM4 ULTRA LOW LOSS, POLARITY INDICATOR METHOD AF
FHCZA-12-10BN	12 FIBER LC - OM4 ULTRA LOW LOSS, POLARITY INDICATOR METHOD B
FHC9N-12-10AS	12 FIBER LC - OS2 STANDARD LOSS, POLARITY INDICATOR METHOD AS
FHC9N-12-10AF	12 FIBER LC - OS2 STANDARD LOSS, POLARITY INDICATOR METHOD AF
FHC9N-12-10BN	12 FIBER LC - OS2 STANDARD LOSS, POLARITY INDICATOR METHOD B

00	01-22-15	SAT	JESA	RAR	RELEASED TO PRODUCTION				
REV	DATE	BY	CHK	APR	DESCRIPTION	ECN			

TITLE HD FLEX 12 FIBER LC - MPO CASSETTE CUSTOMER DRAWING						
ITEM REVISION NAME 12F187HA/00				PANDUIT		
DATASET FILE NAME 12F187HA_DC/00B						
UNLESS OTHERWISE SPECIFIED, DIMENSIONAL TOLERANCES ARE: IN (mm) .x ± .1 (2.54) .xxx ± .005 (.127) .xx ± .01 (.25) ANGLES ± 5 °						MATERIAL:
				DRAWING NUMBER: 12F187HA-DC		
DRAWN BY SAT	DATE 01-22-15	CHK JESA	SCALE NONE	SHT 2 OF 2		SIZE A

D10100DA/14

B

B

A

A

