



Chipsmall Limited consists of a professional team with an average of over 10 year of expertise in the distribution of electronic components. Based in Hongkong, we have already established firm and mutual-benefit business relationships with customers from,Europe,America and south Asia,supplying obsolete and hard-to-find components to meet their specific needs.

With the principle of “Quality Parts,Customers Priority,Honest Operation,and Considerate Service”,our business mainly focus on the distribution of electronic components. Line cards we deal with include Microchip,ALPS,ROHM,Xilinx,Pulse,ON,Everlight and Freescale. Main products comprise IC,Modules,Potentiometer,IC Socket,Relay,Connector.Our parts cover such applications as commercial,industrial, and automotives areas.

We are looking forward to setting up business relationship with you and hope to provide you with the best service and solution. Let us make a better world for our industry!



Contact us

Tel: +86-755-8981 8866 Fax: +86-755-8427 6832

Email & Skype: info@chipsmall.com Web: www.chipsmall.com

Address: A1208, Overseas Decoration Building, #122 Zhenhua RD., Futian, Shenzhen, China



Phantom Fin Multiband Roof Mount Antenna FHQ69273CD



Patent Pending

PHANTOM FIN 4G/LTE, GPS, UHF & WLAN ROOF MOUNT ANTENNA

The Laird Phantom Fin multiband antenna provides an excellent solution for the public safety, transportation and after market fleet applications. The Phantom Fin requires only (1) one single hole mount/fixing which reduces vehicle damage, cost of installation and visual impact. The Phantom Fin design provides multiple antenna functions while remaining discrete. The Phantom Fin multiband antenna integrates 4G/LTE, GPS, UHF and WLAN frequency operation into one aerodynamic housing.

FEATURES

- One (1) single hole mount/fixing which reduces vehicle damage and cost of installation.
- Attractive, IP67 rated aerodynamic housing excellent for overt and/or discrete installations.
- Multiband 4G/LTE, GPS, UHF, and WLAN frequency operation.

MARKETS

- Public Safety
- Transportation
- Aftermarket Fleet
- Land Mobile Radio

SPECIFICATIONS

| PARAMETER | PERFORMANCE | | | | |
|---|--|--------------------------|--------------------------|---------------|-------------|
| Antenna Model / No. of Ports: | FHQ69273CD 4 ports | | | | |
| Port ID | 4G/LTE Port | | WiFi Port | | UHF Port |
| Frequency Bands, MHz | 698-960 MHz | 1710-2700 MHz | 2400-2500 MHz | 4900-5875 MHz | 380-430 MHz |
| Peak Gain, Typical dBi | 3.4 dBi | 5.5 dBi | 6.6 dBi | 6.2 dBi | 2.0 dBi |
| Peak Gain, Maximum dBi | 4.0 dBi | 6.4 dBi | 7.1 dBi | 7.8 dBi | 2.6 dBi |
| Max Gain ± 30° Above Horizon, dBi | N/A | N/A | N/A | 4.1 dBi | N/A |
| VSWR*, Typical | < 1.9:1 | < 1.5:1 | < 1.3:1 | < 1.3:1 | < 1.6:1 |
| VSWR*, Max | < 2.0:1 | < 2.0:1 | < 2.0:1 | < 2.0:1 | < 2.0:1 |
| Port-to-Port Isolation, Maximum (Typical) | UHF-LTE > 15 dB (18 dB) | UHF-WiFi > 20 dB (31 dB) | LTE-WiFi > 20 dB (23 dB) | | |
| Nominal Impedance | 50 Ohms | | | | |
| Polarization | Vertical Linear | | | | |
| Azimuth Beam Width | Omnidirectional | | | | |
| Input Power, Max | 10 watt (ambient temp. of 25°C / 77°F) | | | | |
| Operating Temperature | - 30°C to + 70°C (- 22°F to + 158°F) | | | | |
| Storage Temperature | - 40°C to + 85°C (- 40°F to + 185°F) | | | | |
| Dimensions mm (inches) | 98 x 70 x 160 (3.9"x 2.7" x 6.30") | | | | |
| Weight Kg (lbs.) | Approximately 0.52 Kg (1.15 lbs.) | | | | |
| Cable | LMR-100 (5.18 m / 17 ft.) | | | | |
| Radome Material | PC/ASA (Black) | | | | |
| Baseplate Material | Aluminum | | | | |
| Material Compliance | RoHS Compliant | | | | |
| IP Dust & Water Ingress Rating | IP67 | | | | |

Americas: +1.847.839.6925
IAS-AmericasEastSales@lairdtech.com

Europe: +44.(0).1628.858941
IAS-EUSales@lairdtech.com

Asia: IAS-AsiaSales@lairdtech.com

www.lairdtech.com

Laird warrants to the original end user customer of its products that its products are free from defects in material and workmanship. Subject to conditions and limitations Laird will, at its option, either repair or replace any part of its products that prove defective by reason of improper workmanship or materials. This limited warranty is in force for the useful lifetime of the original end product into which the Laird product is installed. Useful lifetime of the original end product may vary but is not to exceed five (5) years from the original date of the end product purchase.



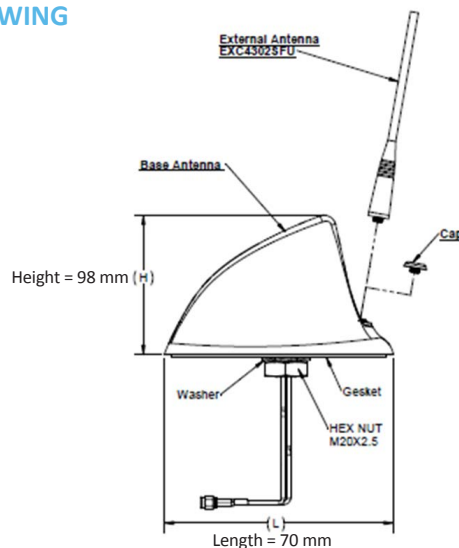
SPECIFICATIONS - GPS

| PARAMETER | PERFORMANCE | | |
|--|--|-----------------|----------------------|
| Frequency Band | 1575.42 MHz (GPS L1) | | |
| Band Width | 6 MHz (Typical) | | |
| Amplifier Gain | 27 dB ± 3 dBc | | |
| Nominal Impedance | 50 Ohm | | |
| Output VSWR | < 1.5:1 | | |
| DC Voltage | 2.7 -12 Vdc | | |
| DC Current | 20 mA (Nominal); <30 mA (-40°C to +85°C) | | |
| Out-of-Band Signal Rejection | > 40 dB rejection @ ± 50 MHz from center frequency | | |
| Intermodulation @ CW Mode (-40°C to +85°C) | Int1 | Int2 | IM3 |
| | - 10 (1842.8 MHz) | - 10 (2110 MHz) | <- 100 (1575.6 MHz) |
| | - 10 (829.58 MHz) | - 10 (2405 MHz) | <- 100 (1575.42 MHz) |
| | - 10 (755.42 MHz) | - 10 (820 MHz) | <- 100 (1575.42 MHz) |
| Input 1 dB Compression @ 750 MHz, 2000 MHz & 3500 MHz | > 10dBm (-40°C to +85°C) | | |
| Cable - Exposed Length | RG174-518.2 cm (17 ft.) | | |

CONFIGURATION

| PART NUMBER | CONNECTOR: | GPS | LTE | WiFi | UHF |
|-------------------|------------|----------|----------|------------|----------|
| FHQ69273CD-518VC3 | | SMA-male | SMA-male | SMA-male | PL259 |
| FHQ69273CD-518VC4 | | SMA-male | SMA-male | SMA-male | FME Plug |
| FHQ69273CD-518VC5 | | SMA-male | SMA-male | RPSMA-male | PL259 |
| FHQ69273CD-518VC6 | | SMA-male | SMA-male | RPSMA-male | FME Plug |

ANTENNA DRAWING



ANT-DS-PhantomFin_FHQ69273CD_0816

Any information furnished by Laird Inc. and its agents is believed to be accurate and reliable. All specifications are subject to change without notice. Responsibility for the use and application of Laird materials rests with the end user, since Laird and its agents cannot be aware of all potential uses. Laird makes no warranties as to the fitness, merchantability or suitability of any Laird materials or products for any specific or general uses. Laird shall not be liable for incidental or consequential damages of any kind. All Laird products are sold pursuant to the Laird Terms and Conditions of sale in effect from time to time, a copy of which will be furnished upon request. © Copyright 2016 Laird Inc. All Rights Reserved. Laird, Laird Technologies, the Laird Logo, and other marks are trade marks or registered trade marks of Laird Inc. or an affiliate company thereof. Other product or service names may be the property of third parties. Nothing herein provides a license under any Laird or any third party intellectual property rights.