



Chipsmall Limited consists of a professional team with an average of over 10 year of expertise in the distribution of electronic components. Based in Hongkong, we have already established firm and mutual-benefit business relationships with customers from,Europe,America and south Asia,supplying obsolete and hard-to-find components to meet their specific needs.

With the principle of "Quality Parts,Customers Priority,Honest Operation,and Considerate Service",our business mainly focus on the distribution of electronic components. Line cards we deal with include Microchip,ALPS,ROHM,Xilinx,Pulse,ON,Everlight and Freescale. Main products comprise IC,Modules,Potentiometer,IC Socket,Relay,Connector.Our parts cover such applications as commercial,industrial, and automotives areas.

We are looking forward to setting up business relationship with you and hope to provide you with the best service and solution. Let us make a better world for our industry!



Contact us

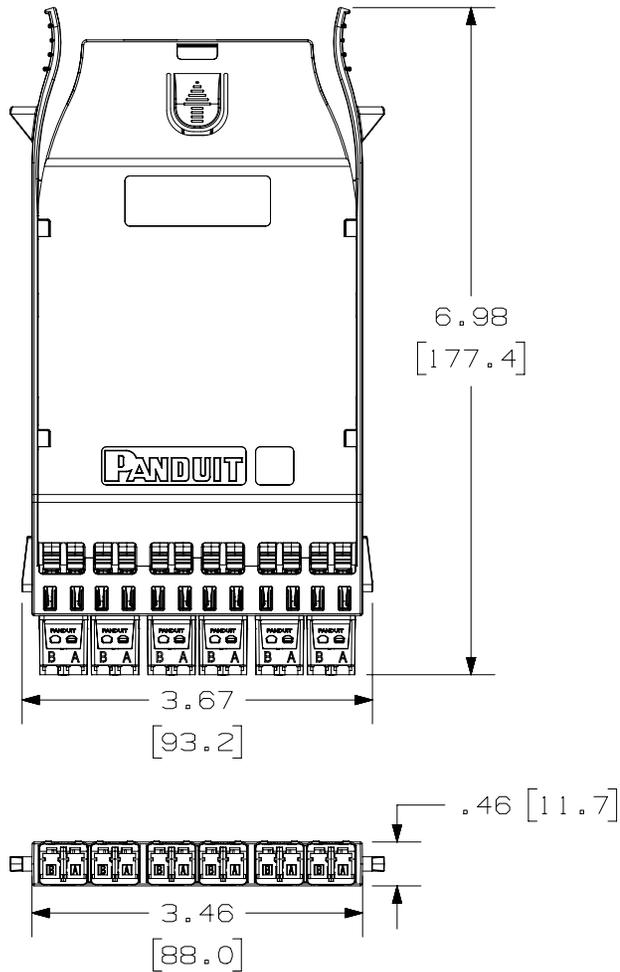
Tel: +86-755-8981 8866 Fax: +86-755-8427 6832

Email & Skype: info@chipsmall.com Web: www.chipsmall.com

Address: A1208, Overseas Decoration Building, #122 Zhenhua RD., Futian, Shenzhen, China

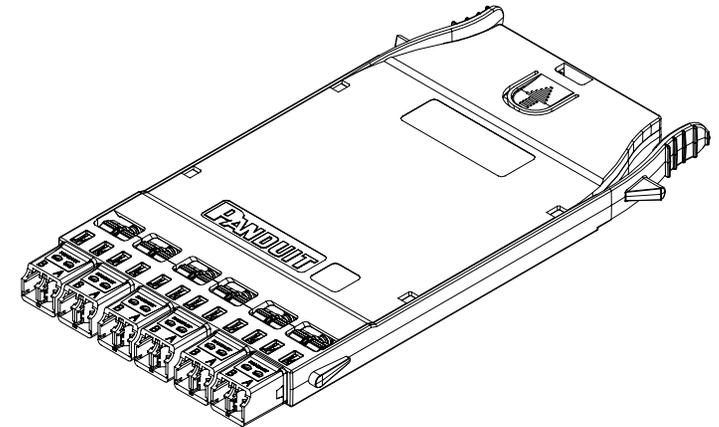


THIS COPY IS PROVIDED ON A RESTRICTED BASIS AND IS NOT TO BE USED IN ANY WAY DETRIMENTAL TO THE INTERESTS OF PANDUIT CORP.



NOTES:

1. PART NUMBERS: SEE SHEET 2 FOR ALL PART NUMBERS.
2. CASSETTE WIRING COMPLIES WITH ANSI/TIA-568-C.0 SEE ANSI/TIA-568-C.0 FOR POLARITY DETAILS AND AN EXAMPLE OF A BASIC LINK.
3. CASSETTE WEIGHT: 3oz (85g)
4. MAX CABLE DIAMETER IS .291 [7.4].



REV	DATE	BY	CHK	APR	DESCRIPTION	ECN
02	9/13/17	JSP	WJM	EJH	A. ADDED MAX DIAMETER NOTE #4.	12F187PE-DC
01	12-03-15	SAT	YMG	RAR/ EJH	RELEASED TO PRODUCTION	12F187PE-DC

TITLE HD FLEX 12 FIBER LC SPLICE CASSETTE CUSTOMER DRAWING					
ITEM REVISION NAME 12F187PE/00				PANDUIT	
DATASET FILE NAME 12F187PE_DC/00C					
UNLESS OTHERWISE SPECIFIED, DIMENSIONAL TOLERANCES ARE: IN (mm)					
.x ± .1 [2.54]		.xxx ± .005 [0.127]		MATERIAL:	
.xx ± .01 [0.25]		ANGLES ± 5°		DRAWING NUMBER: 12F187PE-DC	
DRAWN BY SAT			DATE 01-16-15		CHK PJI
SCALE NONE			THIRD ANGLE PROJECTION		
SHT 1 OF 2				SIZE A	

