



Chipsmall Limited consists of a professional team with an average of over 10 year of expertise in the distribution of electronic components. Based in Hongkong, we have already established firm and mutual-benefit business relationships with customers from,Europe,America and south Asia,supplying obsolete and hard-to-find components to meet their specific needs.

With the principle of “Quality Parts,Customers Priority,Honest Operation,and Considerate Service”,our business mainly focus on the distribution of electronic components. Line cards we deal with include Microchip,ALPS,ROHM,Xilinx,Pulse,ON,Everlight and Freescale. Main products comprise IC,Modules,Potentiometer,IC Socket,Relay,Connector.Our parts cover such applications as commercial,industrial, and automotives areas.

We are looking forward to setting up business relationship with you and hope to provide you with the best service and solution. Let us make a better world for our industry!



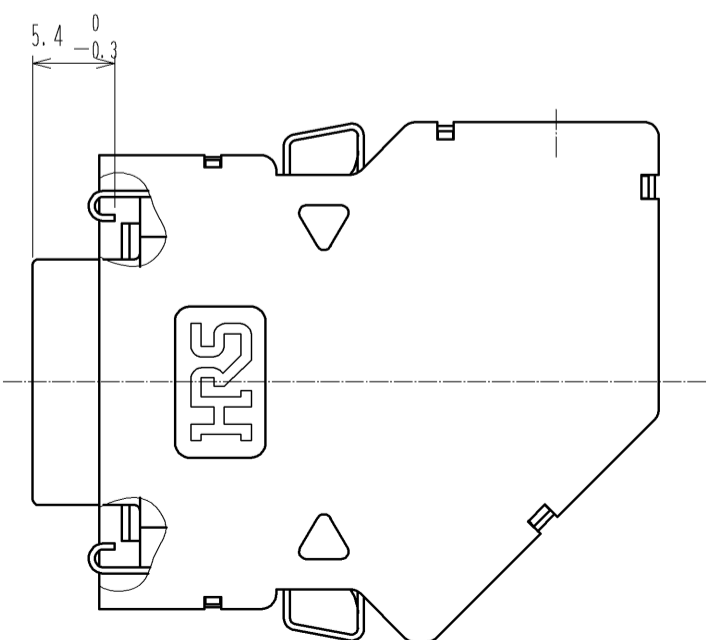
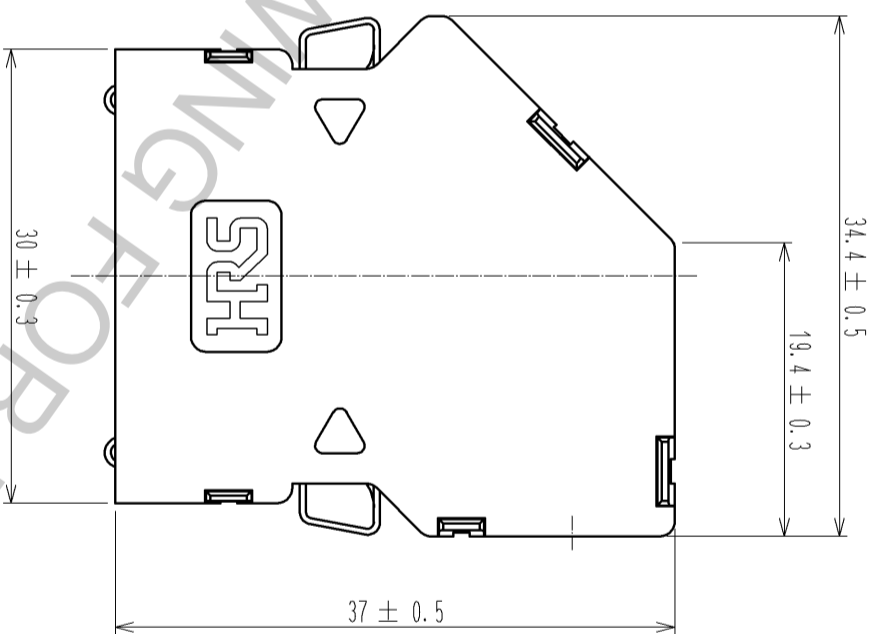
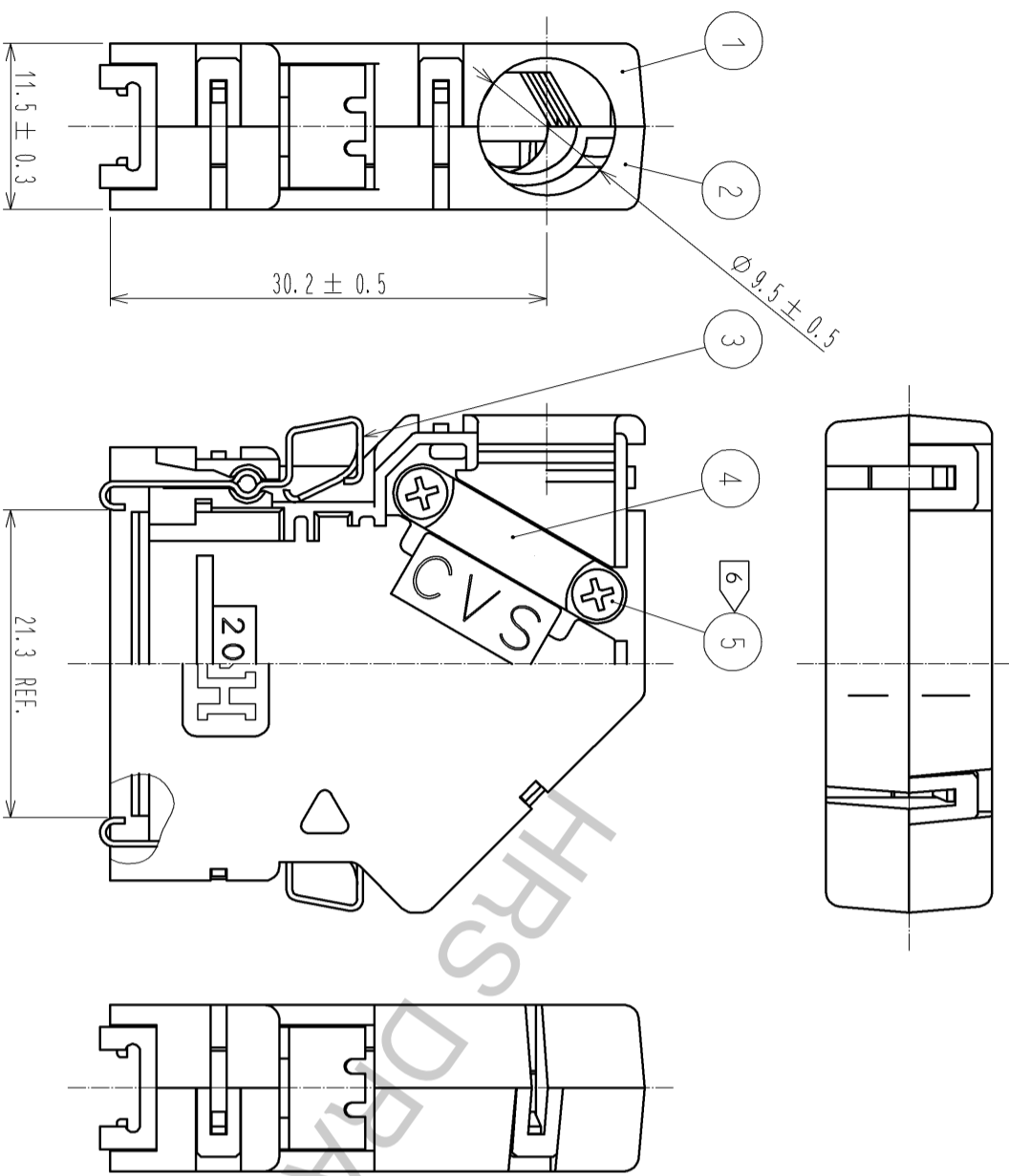
Contact us

Tel: +86-755-8981 8866 Fax: +86-755-8427 6832

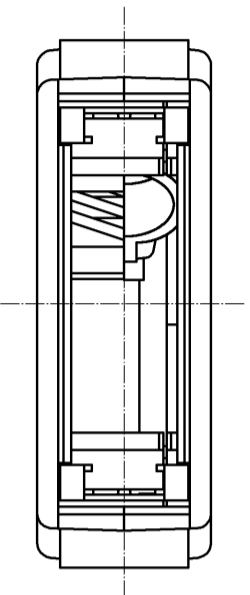
Email & Skype: info@chipsmall.com Web: www.chipsmall.com

Address: A1208, Overseas Decoration Building, #122 Zhenhua RD., Futian, Shenzhen, China



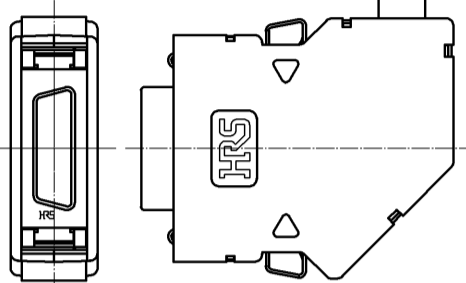


ASSEMBLED FIGURE

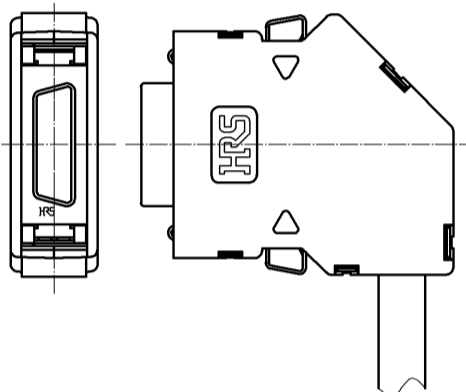


THE FIGURE OF CABLE EXIT DIRECTION(FREE)

TYPE 1



TYPE 2



NOTES

- 1 PART NO. ③ IS ASSEMBLED INTO PART NO. ①.
- 2 PART NO. ② ④ AND ⑤ ARE NOT ASSEMBLED WHEN DELIVERED.
- 3 OUTER DIAMETER OF APPLICABLE CABLE IS Ø8.5±0.3.
- 4 DIMENSIONS IN PARENTHESSES ARE SHOWN AS REFERENCES.
- 5 THIS PRODUCT IS THE COVER CASE FOR FI40B-2015S(※)(CL230-0524-0-※).
- 6 CABLE EXIT DIRECTION DEPENDS ON THE WAY CONNECTOR UNIT IS ASSEMBLED.
- 7 TAPPING SCREW TIGHTENING SHALL BE 0.22N·m.

NO.	1	2	3	4	5
UNITS	mm				
MATERIAL	PC	GRAY UL94V-0	GRAY UL94V-0	STEEL	STEEL
FINISH					
REMARKS					
NO.					
MATERIAL					
FINISH					
REMARKS					
NO.					
MATERIAL					
FINISH					
REMARKS					
NO.					
MATERIAL					
FINISH					
REMARKS					
NO.					
MATERIAL					
FINISH					
REMARKS					
NO.					
MATERIAL					
FINISH					
REMARKS					
NO.					
MATERIAL					
FINISH					
REMARKS					
NO.					
MATERIAL					
FINISH					
REMARKS					
NO.					
MATERIAL					
FINISH					
REMARKS					
NO.					
MATERIAL					
FINISH					
REMARKS					
NO.					
MATERIAL					
FINISH					
REMARKS					
NO.					
MATERIAL					
FINISH					
REMARKS					
NO.					
MATERIAL					
FINISH					
REMARKS					
NO.					
MATERIAL					
FINISH					
REMARKS					
NO.					
MATERIAL					
FINISH					
REMARKS					
NO.					
MATERIAL					
FINISH					
REMARKS					
NO.					
MATERIAL					
FINISH					
REMARKS					
NO.					
MATERIAL					
FINISH					
REMARKS					
NO.					
MATERIAL					
FINISH					
REMARKS					
NO.					
MATERIAL					
FINISH					
REMARKS					
NO.					
MATERIAL					
FINISH					
REMARKS					
NO.					
MATERIAL					
FINISH					
REMARKS					
NO.					
MATERIAL					
FINISH					
REMARKS					
NO.					
MATERIAL					
FINISH					
REMARKS					
NO.					
MATERIAL					
FINISH					
REMARKS					
NO.					
MATERIAL					
FINISH					
REMARKS					
NO.					
MATERIAL					
FINISH					
REMARKS					
NO.					
MATERIAL					
FINISH					
REMARKS					
NO.					
MATERIAL					
FINISH					
REMARKS					
NO.					
MATERIAL					
FINISH					
REMARKS					
NO.					
MATERIAL					
FINISH					
REMARKS					
NO.					
MATERIAL					
FINISH					
REMARKS					
NO.					
MATERIAL					
FINISH					
REMARKS					
NO.					
MATERIAL					
FINISH					
REMARKS					
NO.					
MATERIAL					
FINISH					
REMARKS					
NO.					
MATERIAL					
FINISH					
REMARKS					
NO.					
MATERIAL					
FINISH					
REMARKS					
NO.					
MATERIAL					
FINISH					
REMARKS					
NO.					
MATERIAL					
FINISH					
REMARKS					
NO.					
MATERIAL					
FINISH					
REMARKS					
NO.					
MATERIAL					
FINISH					
REMARKS					
NO.					
MATERIAL					
FINISH					
REMARKS					
NO.					
MATERIAL					
FINISH					
REMARKS					
NO.					
MATERIAL					
FINISH					
REMARKS					
NO.					
MATERIAL					
FINISH					
REMARKS					
NO.					
MATERIAL					
FINISH					
REMARKS					
NO.					
MATERIAL					
FINISH					
REMARKS					
NO.					
MATERIAL					
FINISH					
REMARKS					
NO.					
MATERIAL					
FINISH					
REMARKS					
NO.					
MATERIAL					
FINISH					
REMARKS					
NO.					
MATERIAL					
FINISH					
REMARKS					
NO.					
MATERIAL					
FINISH					
REMARKS					
NO.					
MATERIAL					
FINISH					
REMARKS					
NO.					
MATERIAL					
FINISH					
REMARKS					
NO.					
MATERIAL					
FINISH					
REMARKS					
NO.					
MATERIAL					
FINISH					
REMARKS					
NO.					
MATERIAL					
FINISH					
REMARKS					
NO.					
MATERIAL					
FINISH					
REMARKS					
NO.					
MATERIAL					
FINISH					
REMARKS					
NO.					
MATERIAL					
FINISH					
REMARKS					
NO.					
MATERIAL					
FINISH					
REMARKS					
NO.					
MATERIAL					
FINISH					
REMARKS					
NO.					
MATERIAL					
FINISH					
REMARKS					
NO.					
MATERIAL					
FINISH					
REMARKS					
NO.					
MATERIAL					
FINISH					
REMARKS					
NO.					
MATERIAL					
FINISH					
REMARKS					
NO.					
MATERIAL					
FINISH					
REMARKS					
NO.					
MATERIAL					
FINISH					
REMARKS					
NO.					
MATERIAL					
FINISH					
REMARKS					
NO.					
MATERIAL					
FINISH					
REMARKS					
NO.					
MATERIAL					
FINISH					
REMARKS					
NO.					