



Chipsmall Limited consists of a professional team with an average of over 10 year of expertise in the distribution of electronic components. Based in Hongkong, we have already established firm and mutual-benefit business relationships with customers from,Europe,America and south Asia,supplying obsolete and hard-to-find components to meet their specific needs.

With the principle of “Quality Parts,Customers Priority,Honest Operation,and Considerate Service”,our business mainly focus on the distribution of electronic components. Line cards we deal with include Microchip,ALPS,ROHM,Xilinx,Pulse,ON,Everlight and Freescale. Main products comprise IC,Modules,Potentiometer,IC Socket,Relay,Connector.Our parts cover such applications as commercial,industrial, and automotives areas.

We are looking forward to setting up business relationship with you and hope to provide you with the best service and solution. Let us make a better world for our industry!



## Contact us

Tel: +86-755-8981 8866 Fax: +86-755-8427 6832

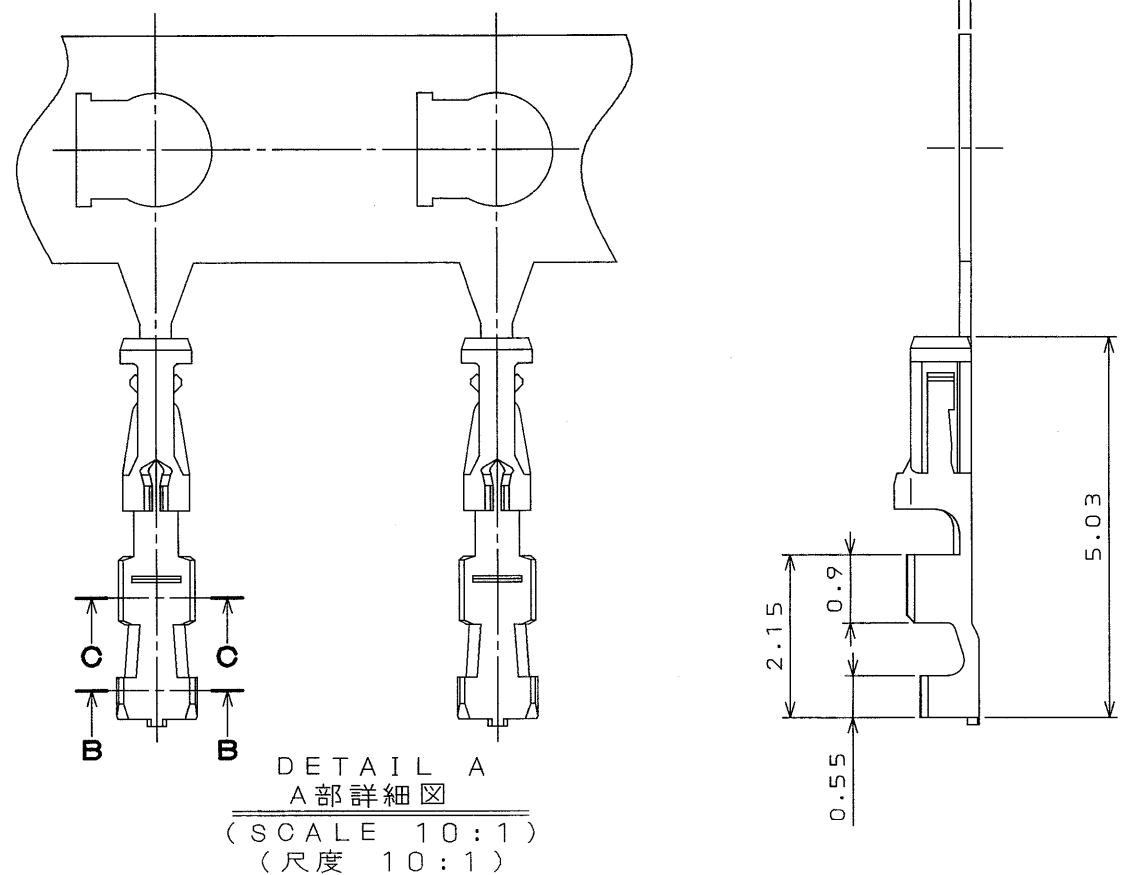
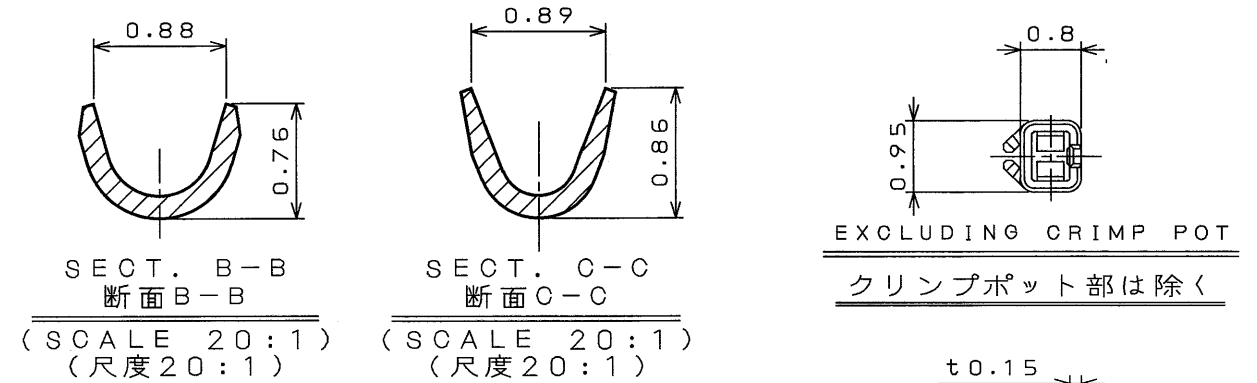
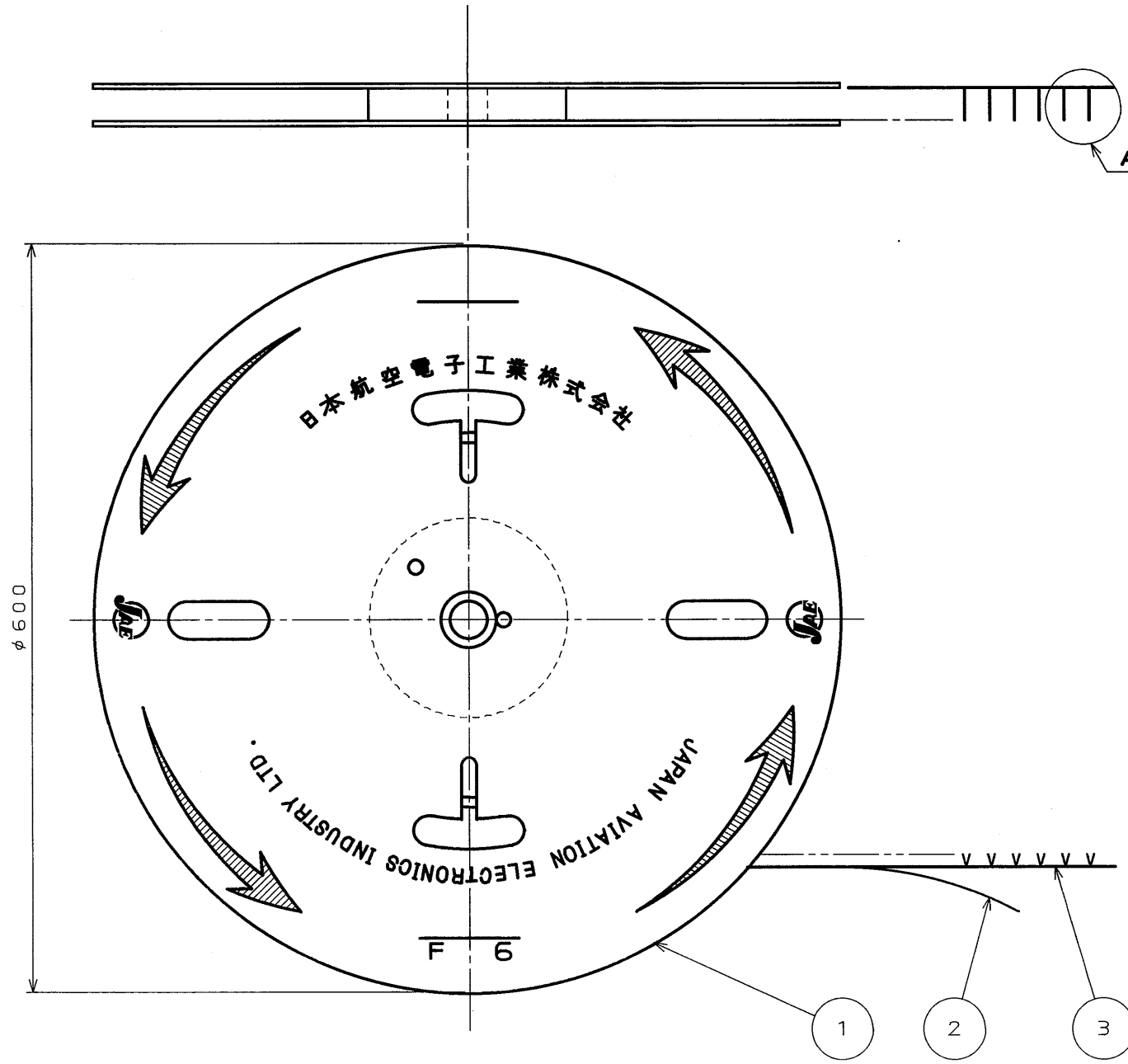
Email & Skype: info@chipsmall.com Web: www.chipsmall.com

Address: A1208, Overseas Decoration Building, #122 Zhenhua RD., Futian, Shenzhen, China



SL69E01S  
(DRAWING NO.) 台要図

版数 REV.	年月日 DATE	DCN NO.	変更内容 DESCRIPTION	製図 DR.	担当 CHK.	査閲 APPD.	承認 APPD.



- NOTE1. APPLICABLE WIRE: #28~#36 AWG. STANDERD.  
 2. INSULATION OUTER DIA.  $\phi 0.50 \sim 0.27$ mm  
 3. USE THE APPLICATOR MADE BY JAE.
- 注1. 使用電線は、AWG#28~#36の撚線とする。  
 2. 被覆外径は $\phi 0.50 \sim 0.27$ mmとする。  
 3. アプリケータはJAEオリジナルを使用とする。

3	CONTACT コンタクト	15000	PHOSPHOR BRONZE リン青銅	GOLD(0.1 $\mu$ m MIN)OVER NICKEL Ni上Auメッキ(0.1 $\mu$ m以上)
2	PAPER TAPE 紙リール	1	PAPER 紙	
1	MAGAZINE マガジン	1	PAPER 紙	
符号 NO.	名称 DESCRIPTION	個数 QTY.	材 料 MATERIAL	備 考 REMARK
仕様書(SPECIFICATION)		第1版(ORIGINAL DATE) 30.Jul.2002	尺 寸 SIZE(SERIES)	備 考 REMARK
公差(GENERAL TOLERANCE)		製図 DR.	名称(TITLE)	<b>JAE-CONNECTOR.COM</b> Reference Only 日本航空電子工業株式会社 JAPAN AVIATION ELECTRONICS INDUSTRY, LTD.
寸法(DIMENSION)	角度(ANGLES)	担当 CHK. A. Kimura	FI-C3-E-A1 -15000 MAGAZINE ASSEMBLY (マガジンアッセンブリ)	
. $\pm 0.8$	$\times^\circ \pm$	査閲 APPD. Y. ICHIYAMA	重量(WEIGHT)	
.X $\pm 0.4$	$\times^\circ \times \pm$	承認 APPD.		
.XX $\pm 0.1$				図面番号(DRAWING NO.) SJ036917
.XXX $\pm$				版数 (REV.) 1

本図面は日本航空電子工業(株)の所有する情報を含むもので当社の許可なく複製を禁止する。  
 THIS DRAWING CONTAINS INFORMATION THAT IS PROPRIETARY TO JAE AND CAN NOT BE REPRODUCED WITHOUT WRITTEN CONSENT OF JAE.

DOF-0-212D(98.02)

CDS -02-180-10203

SIZE A3