



Chipsmall Limited consists of a professional team with an average of over 10 year of expertise in the distribution of electronic components. Based in Hongkong, we have already established firm and mutual-benefit business relationships with customers from,Europe,America and south Asia,supplying obsolete and hard-to-find components to meet their specific needs.

With the principle of “Quality Parts,Customers Priority,Honest Operation,and Considerate Service”,our business mainly focus on the distribution of electronic components. Line cards we deal with include Microchip,ALPS,ROHM,Xilinx,Pulse,ON,Everlight and Freescale. Main products comprise IC,Modules,Potentiometer,IC Socket,Relay,Connector.Our parts cover such applications as commercial,industrial, and automotives areas.

We are looking forward to setting up business relationship with you and hope to provide you with the best service and solution. Let us make a better world for our industry!



Contact us

Tel: +86-755-8981 8866 Fax: +86-755-8427 6832

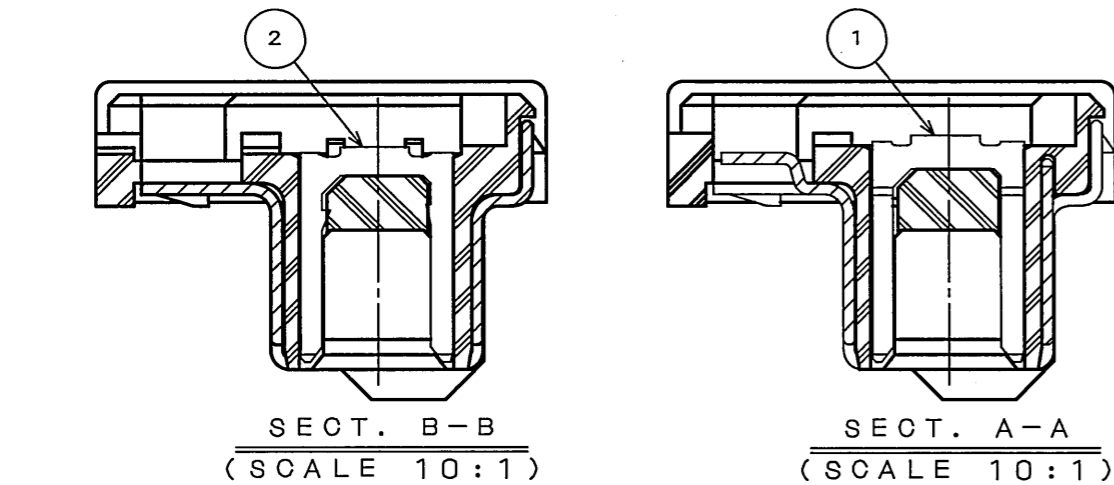
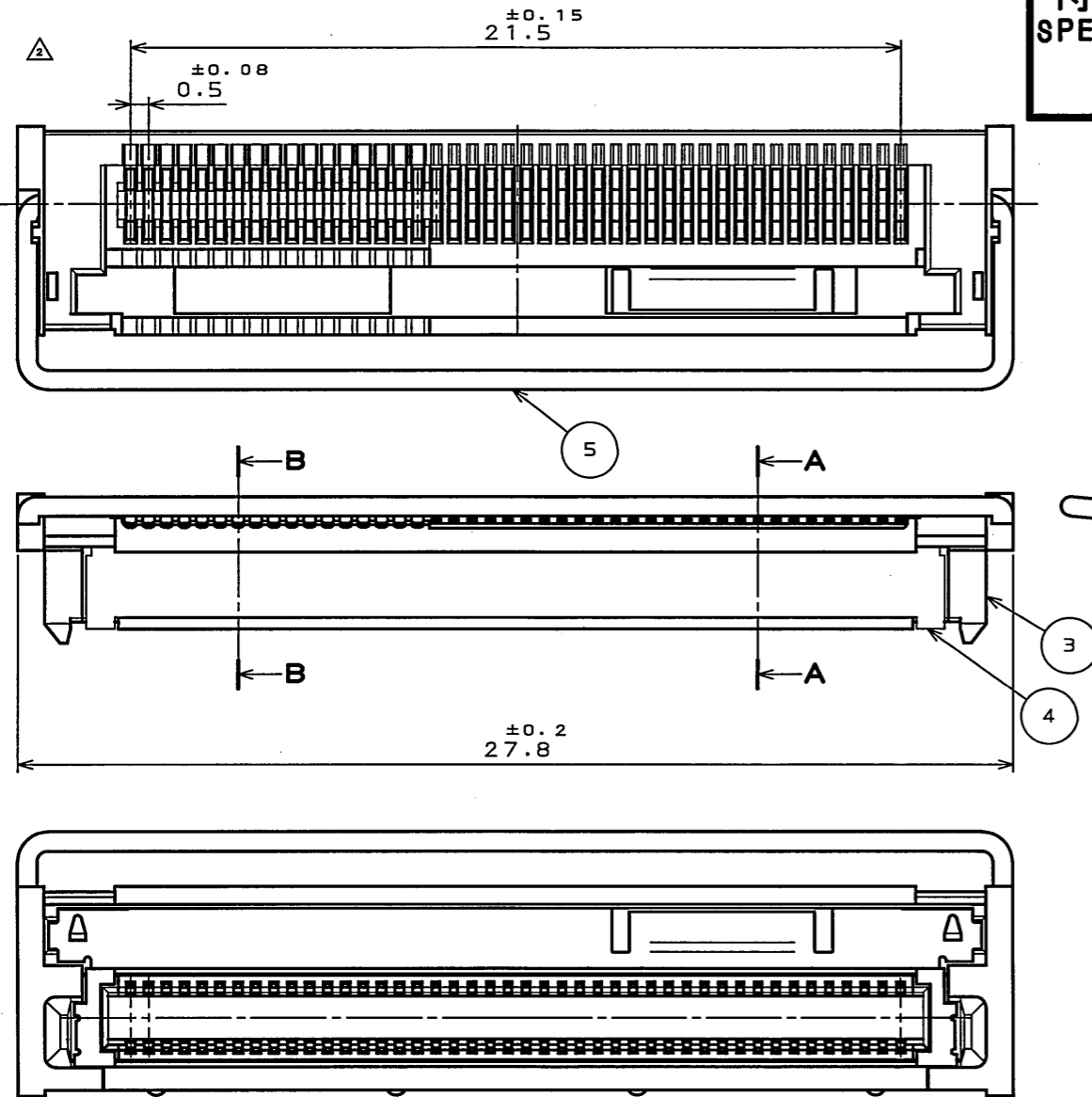
Email & Skype: info@chipsmall.com Web: www.chipsmall.com

Address: A1208, Overseas Decoration Building, #122 Zhenhua RD., Futian, Shenzhen, China



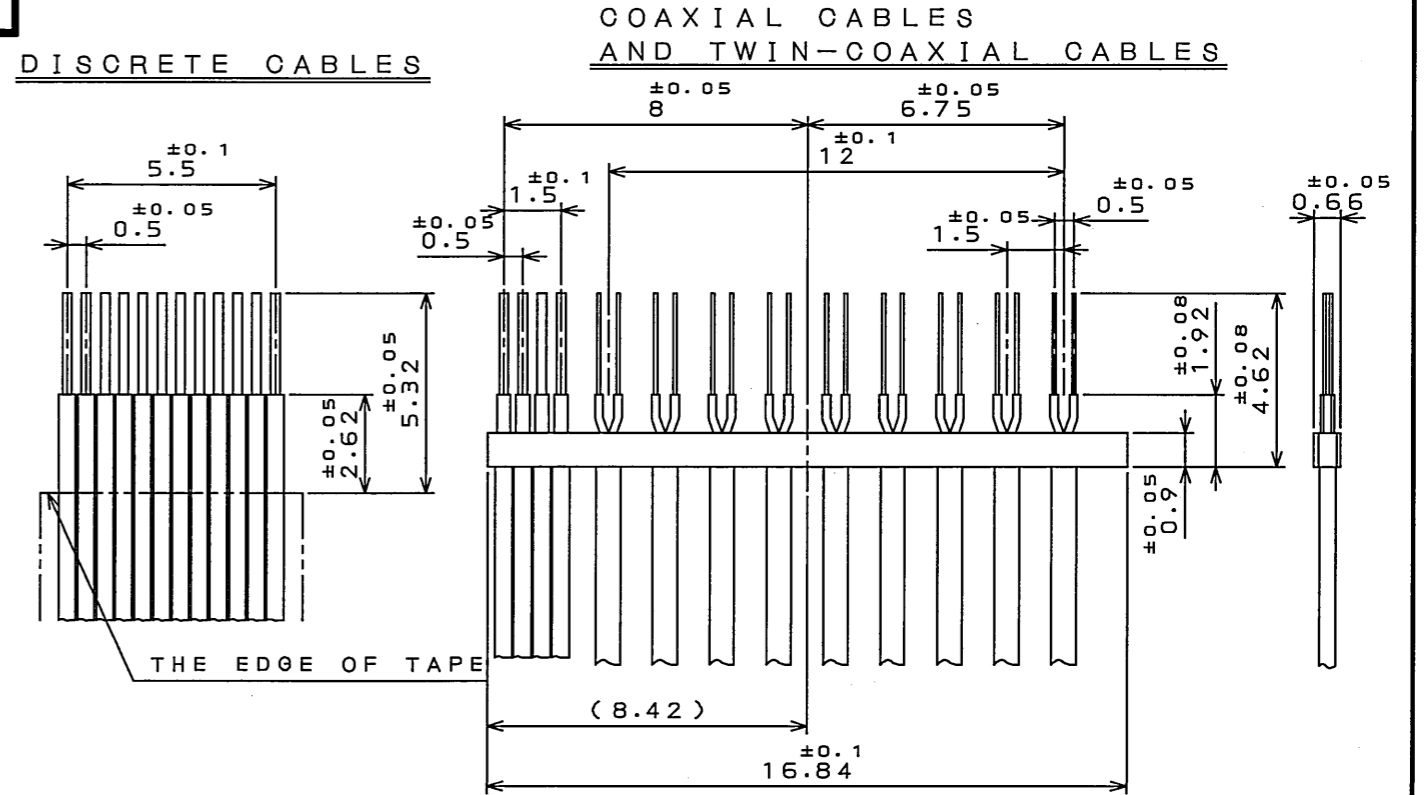
9EZ101RS
(ON 0NIMVHD)台器図

特別管理品目
SPECIAL CONTROL ITEM
D c o m

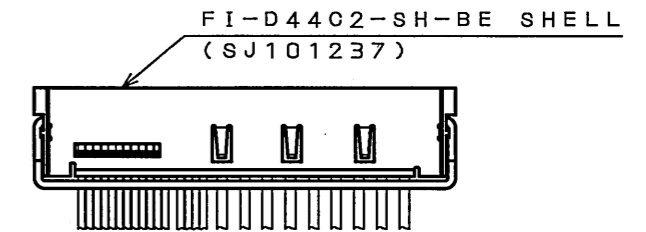


NOTE1. This PULL BAR is an attached part and is built in after cable assembling to the main body.
注1.このプルバーは添付品であり、ケーブル装着後に本体へ組み込まれる。

版数 REV.	年月日 DATE	DCN NO.	変更内容 DESCRIPTION	製図 DR.	担当 CHK.	査閲 APPD.	承認 APPD.
2	31.Jan.2007	062099	REVISED FORM		T.YAMAJI	M.Suzuki	K.Heaton



APPLICABLE WIRE DIMENSIONS (REF.)
推奨ワイヤー加工寸法 (参考)



CABLE ASSEMBLED CONDITION (REF.)
ケーブル 嵌合状態図 (参考)

TABLE 1
表1

CONTACT AREA 接触部	SOLDERING AREA 端子部
GOLD (MIN.0.7μm) OVER NICKEL Ni上Au(0.7μm以上)	TIN OVER NICKEL Ni上Sn

符号 NO.	名称 DESCRIPTION	個数 QTY.	材料 MATERIAL	仕上 FINISH	備考 REMARKS
5	PULL BAR (NOTE 1) プルバー (注1)	1	STAINLESS STEEL ステンレス		
4	BASE SHELL ベースシェル	1	STAINLESS STEEL ステンレス	TIN OVER NI Ni上Sn	
3	INSULATOR インシュレーター	1	HEAT RESISTING PLASTIC 耐熱性プラスチック		UL94V-0 黒
2	POWER CONTACT パワーコンタクト	17	COPPER ALLOY 銅合金	SEE TABLE 1 表1参照	
1	SIGNAL CONTACT シグナルコンタクト	27	COPPER ALLOY 銅合金	SEE TABLE 1 表1参照	

仕様書 (SPECIFICATION)	第1版 (ORIGINAL DATE) 20.May.2004	尺度 (SCALE) 5:1	シリーズ (SERIES) FI	製図 DR. M.YAMASHITA	名称 (TITLE) FI-D44C2-E	製造 DR. M.KIKUCHI	担当 CHK. M.SUZUKI	査閲 APPD. Y.ICHIYAMA	承認 APPD.	質量 (MASS)	日本航空電子工業株式会社 JAPAN AVIATION ELECTRONICS INDUSTRY, LTD.	図面番号 (DRAWING NO.) SJ101236	版数 (REV.) 2
公差 (GENERAL TOLERANCE)													
寸法 (DIMENSION)													
角度 (ANGLES)													
・ ±	° ±												
・ X ±	X° ±												
・ XX ±	XX° ±												
・ XXX ±													

LEAD FREE この製品は鉛フリー品です

DOF-0-212E(03.08)