



Chipsmall Limited consists of a professional team with an average of over 10 year of expertise in the distribution of electronic components. Based in Hongkong, we have already established firm and mutual-benefit business relationships with customers from,Europe,America and south Asia,supplying obsolete and hard-to-find components to meet their specific needs.

With the principle of “Quality Parts,Customers Priority,Honest Operation,and Considerate Service”,our business mainly focus on the distribution of electronic components. Line cards we deal with include Microchip,ALPS,ROHM,Xilinx,Pulse,ON,Everlight and Freescale. Main products comprise IC,Modules,Potentiometer,IC Socket,Relay,Connector.Our parts cover such applications as commercial,industrial, and automotives areas.

We are looking forward to setting up business relationship with you and hope to provide you with the best service and solution. Let us make a better world for our industry!



## Contact us

Tel: +86-755-8981 8866 Fax: +86-755-8427 6832

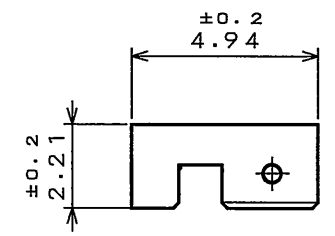
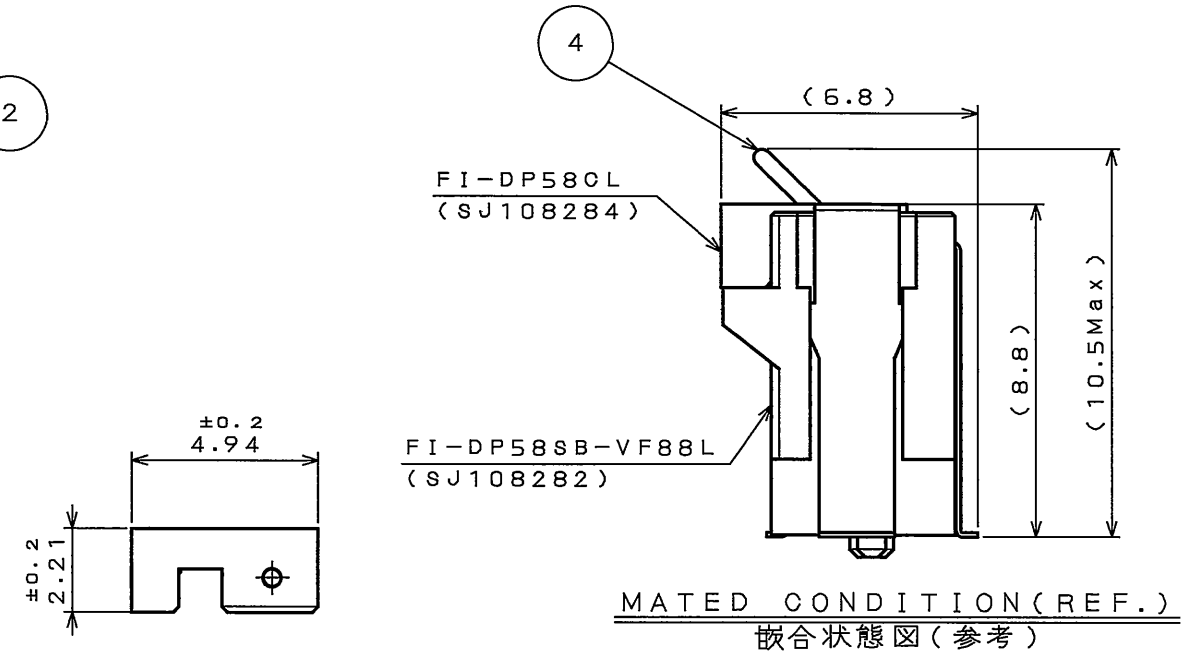
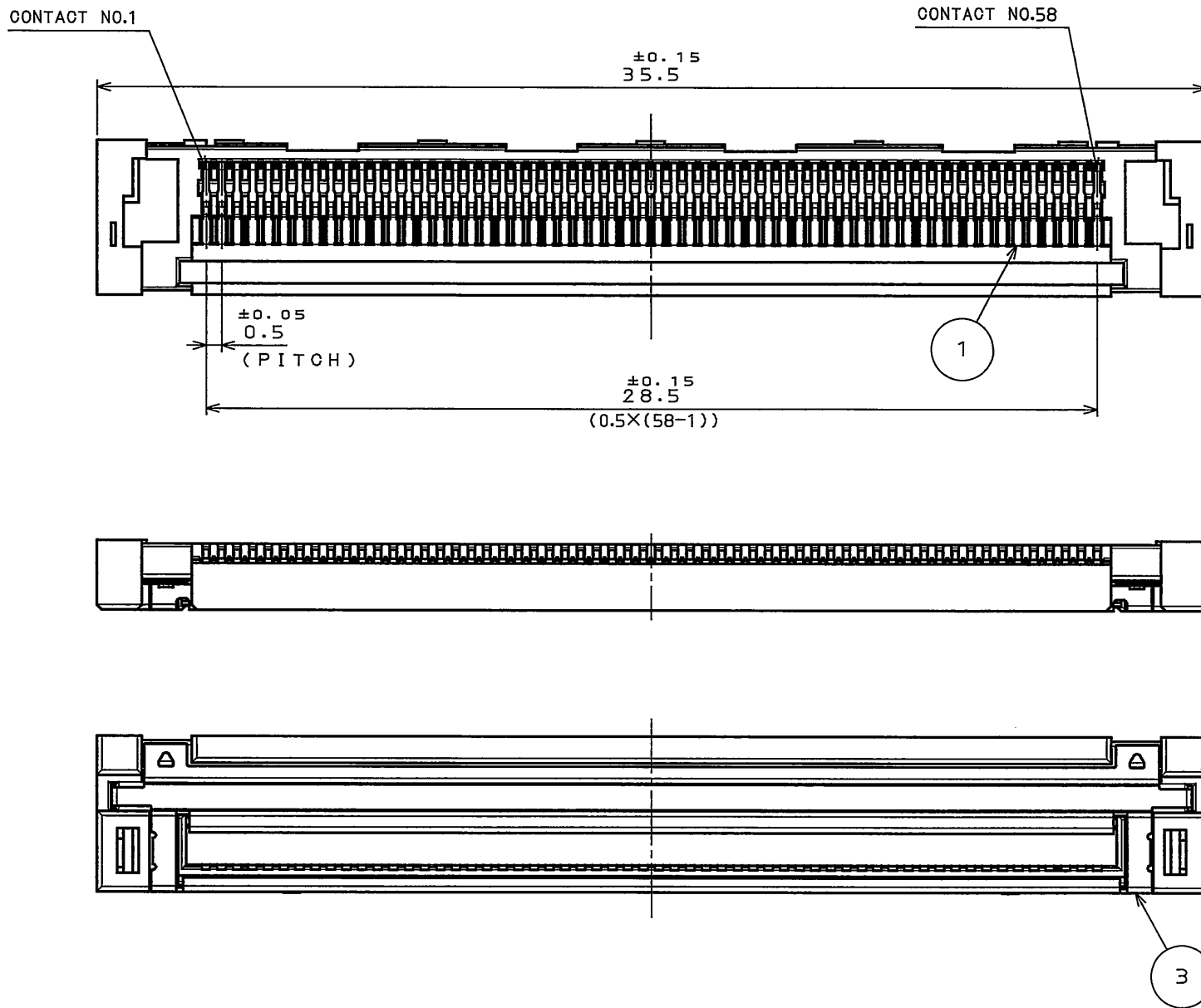
Email & Skype: info@chipsmall.com Web: www.chipsmall.com

Address: A1208, Overseas Decoration Building, #122 Zhenhua RD., Futian, Shenzhen, China

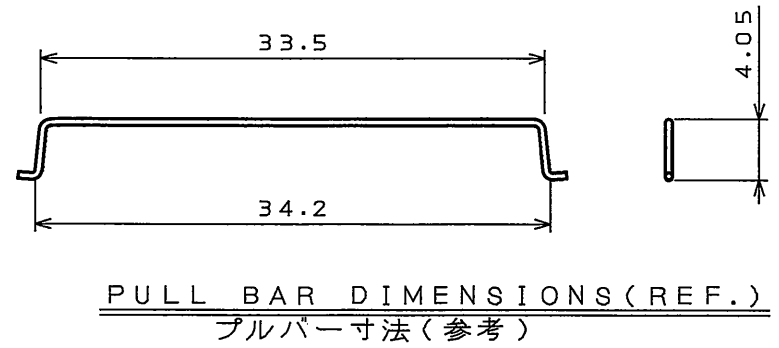


SJ108284  
(DRAWING NO.)

版数 REV.	年月日 DATE	DCN NO.	変更内容 DESCRIPTION	製図 DR.	担当 CHK.	査閲 APPD.	承認 APPD.



注1. プルバーは添付品であり、ケーブル装着後に本体へ組み込まれる。  
NOTE1. THE PULL BAR is an attached part and is built in after cable assembling to the main body.



符号 NO.	名称 DESCRIPTION	個数 QTY.	材料 MATERIAL	仕上 FINISH	備考 REMARKS
4	PULL BAR	1	STAINLESS STEEL	—	ATTACHED PART
3	BASE SHELL	1	STAINLESS STEEL		GOLD(0.03μm) OVER NICKEL
2	INSULATOR	1	HEAT RESISTING PLASTIC		UL94V-0 COLOR:BLACK
1	CONTACT	58	COPPER ALLOY		CONTACT AREA: GOLD(0.3μm) OVER NICKEL TERMINAL AREA: TIN OVER NICKLE

仕様書(SPECIFICATION)	第1版(ORIGINAL DATE)	尺度(SCALE)	シリーズ(SERIES)	日本航空電子工業株式会社 JAPAN AVIATION ELECTRONICS INDUSTRY, LTD.
JACS-10485-*	13.May.2008	5:1	FI-DP	
JAHL-10485-*				
公差(GENERAL TOLERANCE)	製図 DR.	名称(TITLE)	FI-DP58CL	
寸法(DIMENSION)	角度(ANGLES)	担当 CHK.	R.KATOU	図面番号(DRAWING NO.)
. ±0.8	° ±	査閲 APPD.	M. Sasaki	
.X ±0.4	X° ±	承認 APPD.	K. Higashimura	
.XX ±0.1				版数 (REV.)
.XXX ±				1

DOF-0-212F(05.08)

