



Chipsmall Limited consists of a professional team with an average of over 10 year of expertise in the distribution of electronic components. Based in Hongkong, we have already established firm and mutual-benefit business relationships with customers from,Europe,America and south Asia,supplying obsolete and hard-to-find components to meet their specific needs.

With the principle of “Quality Parts,Customers Priority,Honest Operation,and Considerate Service”,our business mainly focus on the distribution of electronic components. Line cards we deal with include Microchip,ALPS,ROHM,Xilinx,Pulse,ON,Everlight and Freescale. Main products comprise IC,Modules,Potentiometer,IC Socket,Relay,Connector.Our parts cover such applications as commercial,industrial, and automotives areas.

We are looking forward to setting up business relationship with you and hope to provide you with the best service and solution. Let us make a better world for our industry!



Contact us

Tel: +86-755-8981 8866 Fax: +86-755-8427 6832

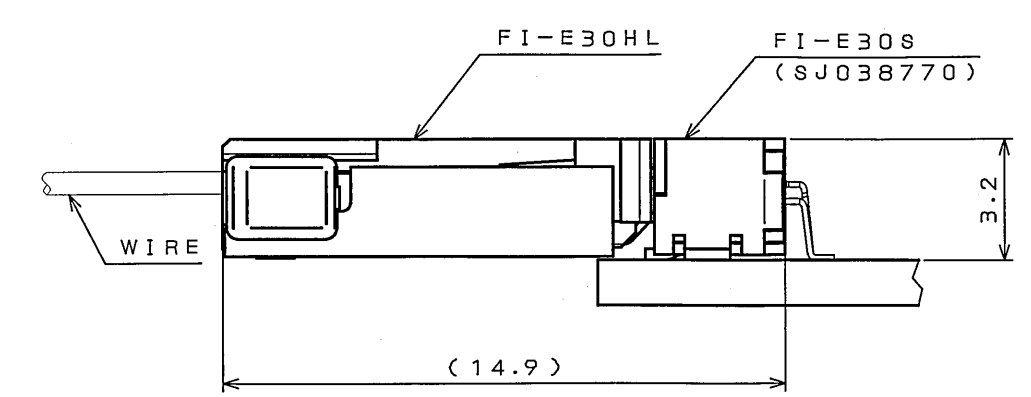
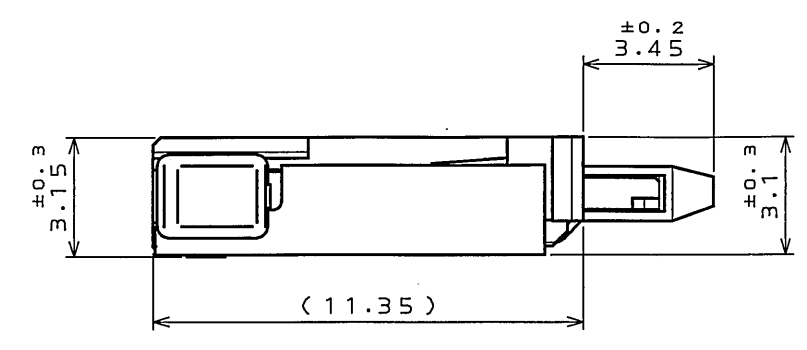
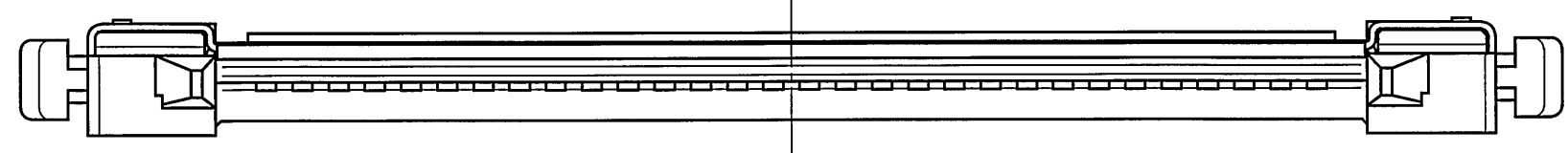
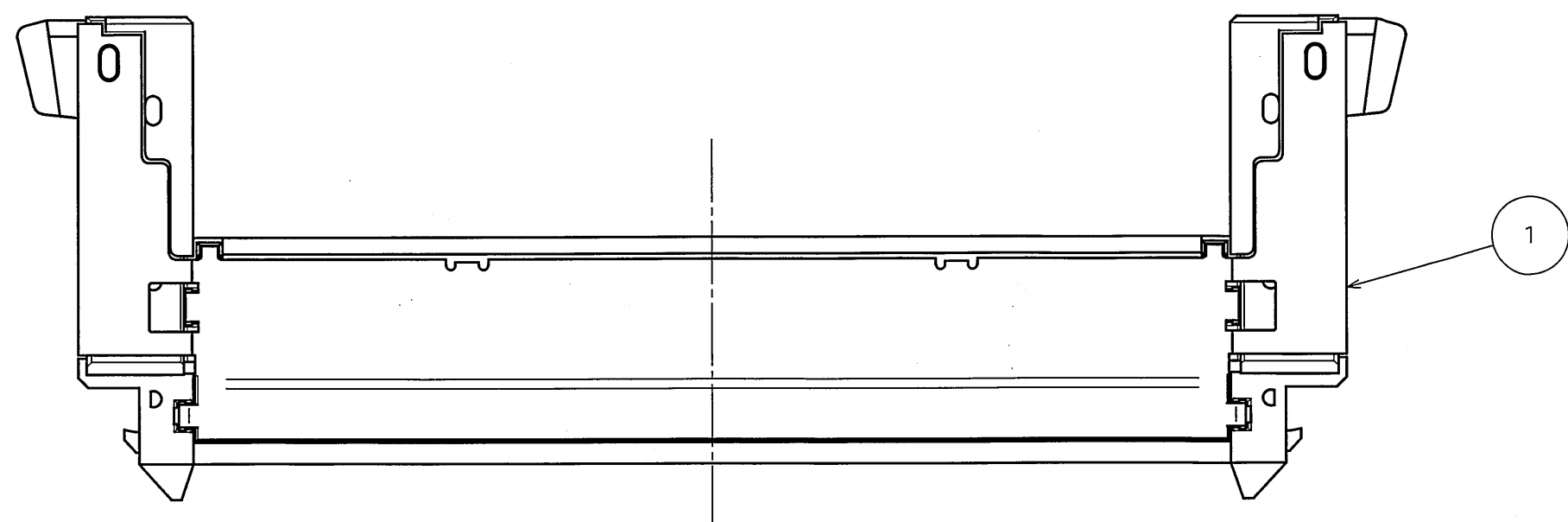
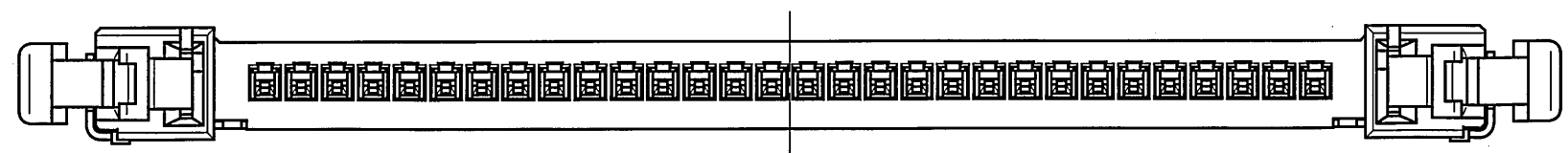
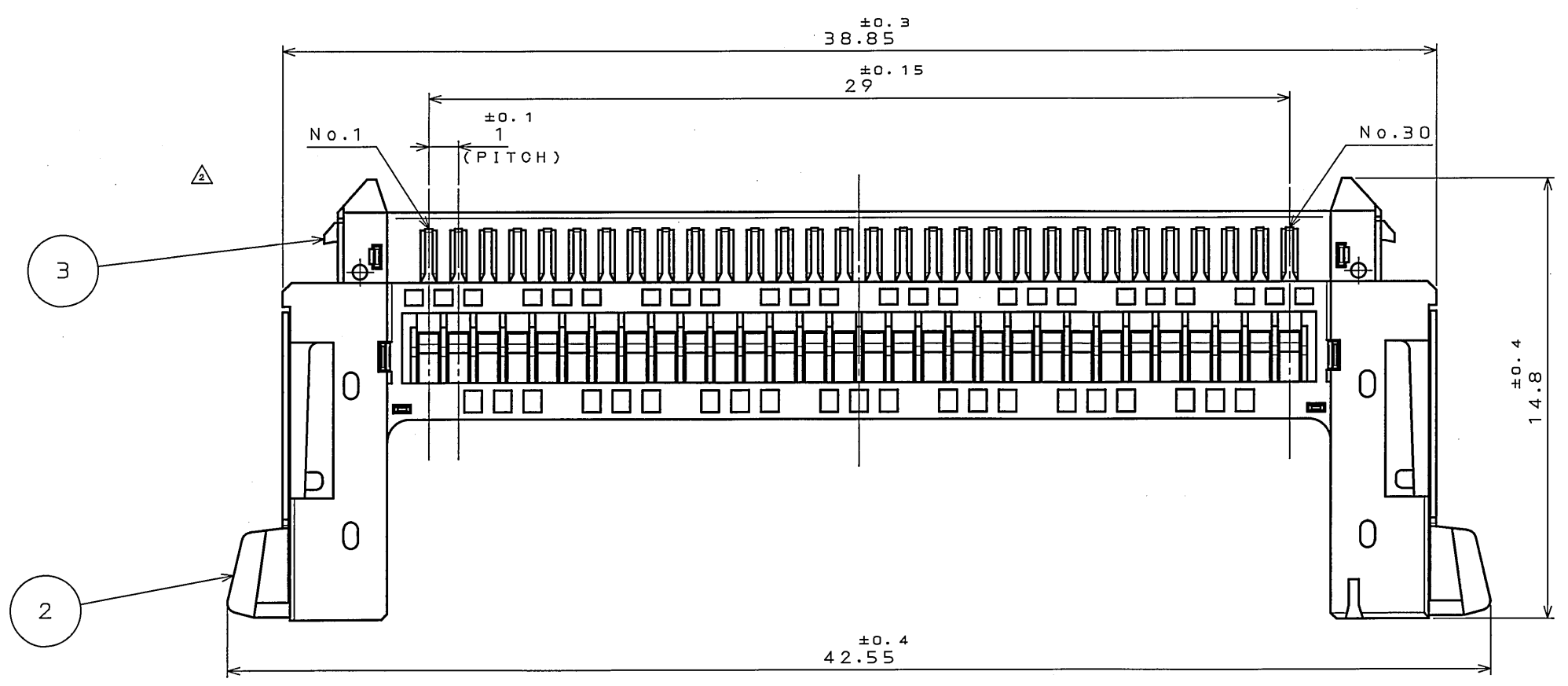
Email & Skype: info@chipsmall.com Web: www.chipsmall.com

Address: A1208, Overseas Decoration Building, #122 Zhenhua RD., Futian, Shenzhen, China



611001PS
(ON ENIMVH)台型図

版数 REV.	年月日 DATE	DCN NO.	変更内容 DESCRIPTION	製図 DR.	担当 CHK.	査閲 APPD.	承認 APPD.
2	27.Sep.2004	055870	REVISED FORM 形状変更		K.HISAMATSU	M.Suzuki	K.Hisatomu



MATED CONDITION (REF.)
擬合状態図 (参考)

NOTE 1. APPLICABLE CONTACT
FI-XC3-1-15000 (SJ033911)

注 1. 適合コンタクトは下記コンタクトを使用して下さい。
FI-XC3-1-15000 (SJ033911)

符号 NO.	名称 DESCRIPTION	個数 QTY.	材料 MATERIAL	仕上 FINISH	備考 REMARKS
3	LOOK SPRING ロックspring リンク	2	STAINLESS STEEL ステンレス		
2	INSULATOR インシュレータ	1	HEAT RESISTING PLASTIC 耐熱性プラスチック		UL94V-0
1	BASE SHELL ベースシェル	1	COPPER ALLOY 銅合金	TIN PLATING Snメッキ	
仕様書 (SPECIFICATION)		第1版 (ORIGINAL DATE)		シリーズ (SERIES)	
JACS-1753-10 JAH-1753-10		16.Oct.2003		FI-E	
公差 (GENERAL TOLERANCE)		製図 DR.		名称 (TITLE)	
寸法 (DIMENSION) 角度 (ANGLES)		担当 CHK.		FI-E30HL	
. ±0.8 X° ±		M.KIKUCHI		製図 DR.	
.X ±0.4 X°X' ±		M.SUZUKI		査閲 APPD.	
.XX ±0.1		Y.ICHIIYAMA		承認 APPD.	
.XXX ±				質量 (MASS)	
				図面番号 (DRAWING NO.)	
				SJ100119	
				版数 (REV.)	
				2	

DOF-0-213E (03.08)

