



Chipsmall Limited consists of a professional team with an average of over 10 year of expertise in the distribution of electronic components. Based in Hongkong, we have already established firm and mutual-benefit business relationships with customers from,Europe,America and south Asia,supplying obsolete and hard-to-find components to meet their specific needs.

With the principle of “Quality Parts,Customers Priority,Honest Operation,and Considerate Service”,our business mainly focus on the distribution of electronic components. Line cards we deal with include Microchip,ALPS,ROHM,Xilinx,Pulse,ON,Everlight and Freescale. Main products comprise IC,Modules,Potentiometer,IC Socket,Relay,Connector.Our parts cover such applications as commercial,industrial, and automotives areas.

We are looking forward to setting up business relationship with you and hope to provide you with the best service and solution. Let us make a better world for our industry!



Contact us

Tel: +86-755-8981 8866 Fax: +86-755-8427 6832

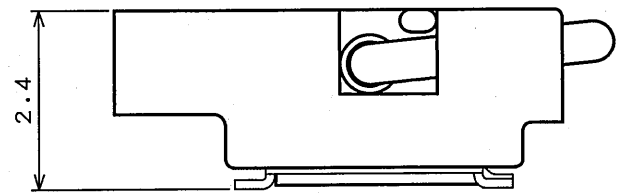
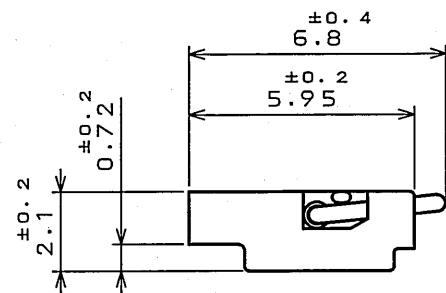
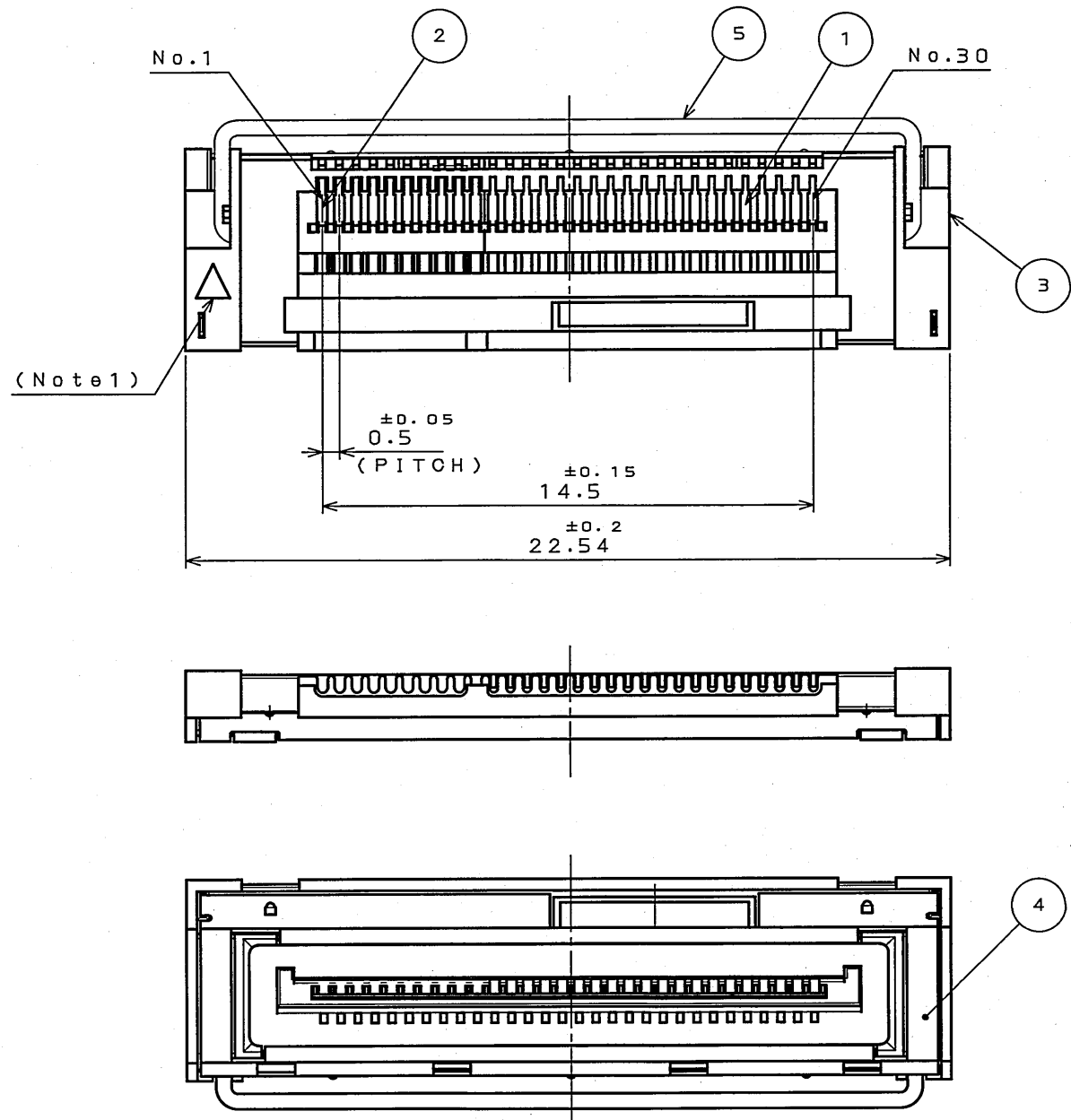
Email & Skype: info@chipsmall.com Web: www.chipsmall.com

Address: A1208, Overseas Decoration Building, #122 Zhenhua RD., Futian, Shenzhen, China



SJ104300
(DRAWING NO.)

版数 REV.	年月日 DATE	DCN NO.	変更内容 DESCRIPTION	製図 DR.	担当 CHK.	査閲 APPD.	承認 APPD.



MATED CONDITION (REF.)
嵌合状態(参考)

NOTE1. TERMINAL No.1 SIDE IS SHOWN.
注1. 端子No.1側を示す。

符号 NO.	名称 DESCRIPTION	個数 QTY.	材料 MATERIAL	仕上 FINISH	備考 REMARKS
5	PULL BAR プルバー	1	STAINLESS STEEL ステンレス	—	—
4	SHELL シェル	1	STAINLESS STEEL ステンレス	TIN PLATING	—
3	INSULATOR インシュレータ	1	HEAT RESISTING PLASTIC 耐熱性プラスチック	—	UL94 V-0 BLACK
2	CONTACT コンタクト	10	COPPER ALLOY 銅合金	GOLD(0.1μmMIN) OVER NICKEL	—
1	CONTACT コンタクト	20	COPPER ALLOY 銅合金	GOLD(0.1μmMIN) OVER NICKEL	—

仕様書(SPECIFICATION)	第1版(ORIGINAL DATE) 8.Jun.2005	尺度(SCALE) 10:1	シリーズ(SERIES) FI	日本航空電子工業株式会社 JAPAN AVIATION ELECTRONICS INDUSTRY, LTD. 図面番号(DRAWING NO.) SJ104300	版数 (REV.) 1
公差(GENERAL TOLERANCE)	製図 DR.	名称(TITLE) FI-G30C2	質量(MASS)		
寸法(DIMENSION)	担当 CHK. M.KIKUCHI T.YAMAJI	製図 DR.	製図 DR.		
角度(ANGLES)	査閲 APPD. M. Suzuki	承認 APPD. K. Hisatome	承認 APPD.		

LEAD FREE この製品は鉛フリー品です

JAE CONNECTOR DIV. PROPRIETARY.
COPYRIGHT (C) 2005. JAPAN AVIATION ELECTRONICS INDUSTRY, LTD.

DOF-0-212E(03.08)

