



Chipsmall Limited consists of a professional team with an average of over 10 year of expertise in the distribution of electronic components. Based in Hongkong, we have already established firm and mutual-benefit business relationships with customers from,Europe,America and south Asia,supplying obsolete and hard-to-find components to meet their specific needs.

With the principle of “Quality Parts,Customers Priority,Honest Operation,and Considerate Service”,our business mainly focus on the distribution of electronic components. Line cards we deal with include Microchip,ALPS,ROHM,Xilinx,Pulse,ON,Everlight and Freescale. Main products comprise IC,Modules,Potentiometer,IC Socket,Relay,Connector.Our parts cover such applications as commercial,industrial, and automotives areas.

We are looking forward to setting up business relationship with you and hope to provide you with the best service and solution. Let us make a better world for our industry!



Contact us

Tel: +86-755-8981 8866 Fax: +86-755-8427 6832

Email & Skype: info@chipsmall.com Web: www.chipsmall.com

Address: A1208, Overseas Decoration Building, #122 Zhenhua RD., Futian, Shenzhen, China



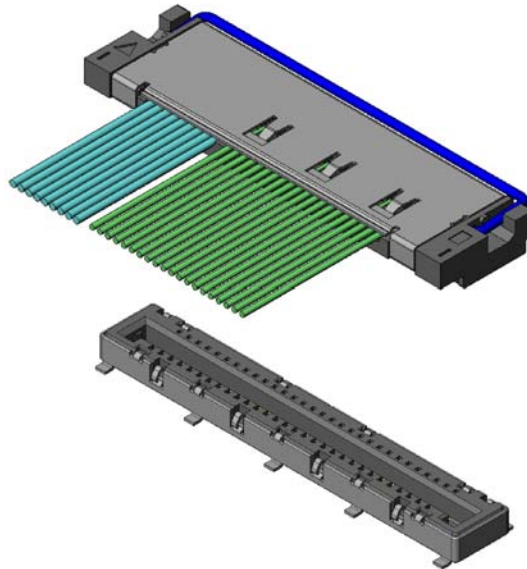
NEW
Board to Cable Connector Compatible to
High-Speed Differential Transmission

CONNECTOR

MB-0162-1

October 2006

FI-G Series

RoHS Compliant

FI-G series is a high speed differential transmission connector for LCD panel connection.

Features

- Terminal pitch: 0.5mm, Connector height: 2.4mm, suitable for handheld devices.
- High speed transmission area of cable is compatible to fine coaxial wire (AWG#40 to 42)
- Ground performance is enhanced by the shell to shell/ shell to board multipoint connection established to improve EMI characteristics.
- With pull bar for easy connector removal

General Specification

- No. of contacts: 30 pos.
- Contact resistance: 60m ohm max.
- Dielectric withstanding voltage: 500Vr.m.s. per minute
- Insulation resistance: 100M ohm min.
- Operating temperature: -40 Deg. C to +80 Deg. C
- Rated current: 0.5A per contact
- Life time: 30 times
- Applicable cable: Contact No. 20 to 30(for signal) Coaxial (AWG#40 or #42)
Contact No. 1 to 20(for power and other use) Discrete wire(AWG#32 or #36)

Materials and Finishes

Board side connector

FI-G30S-VF25, FI-G30S-VF25-R3000 (Board side connector)

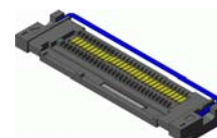
Components	Materials and Finishes
Contact	Copper alloy/ Contact area Au, SMT Terminal area Sn plating
Insulator	Heat resistant plastic/ None
Shell	Stainless/ Sn plating
Adsorption tape	Heat resistant tape/ None



Cable side connector

FI-G30C2 (Cable side connector)

Components	Materials and Finishes
Contact1	Copper alloy/ Contact area: 0.1um min. Au plating over Ni Terminal area: Sn plating over Ni
Contact2	Copper alloy/ Contact area: 0.1um min. Au plating over Ni Terminal area: Sn plating over Ni
Insulator	Heat resistant plastic/ None
Shell	Stainless/ Sn plating
Pull bar	Stainless/ None



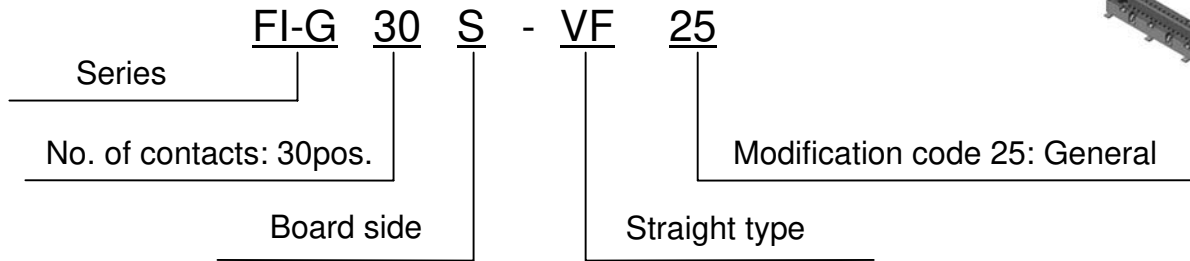
FI-G30C2-SH-B2-8000 (Slide shell for Cable side connector)

Components	Materials and Finishes
Slide shell	Stainless/ Sn plating

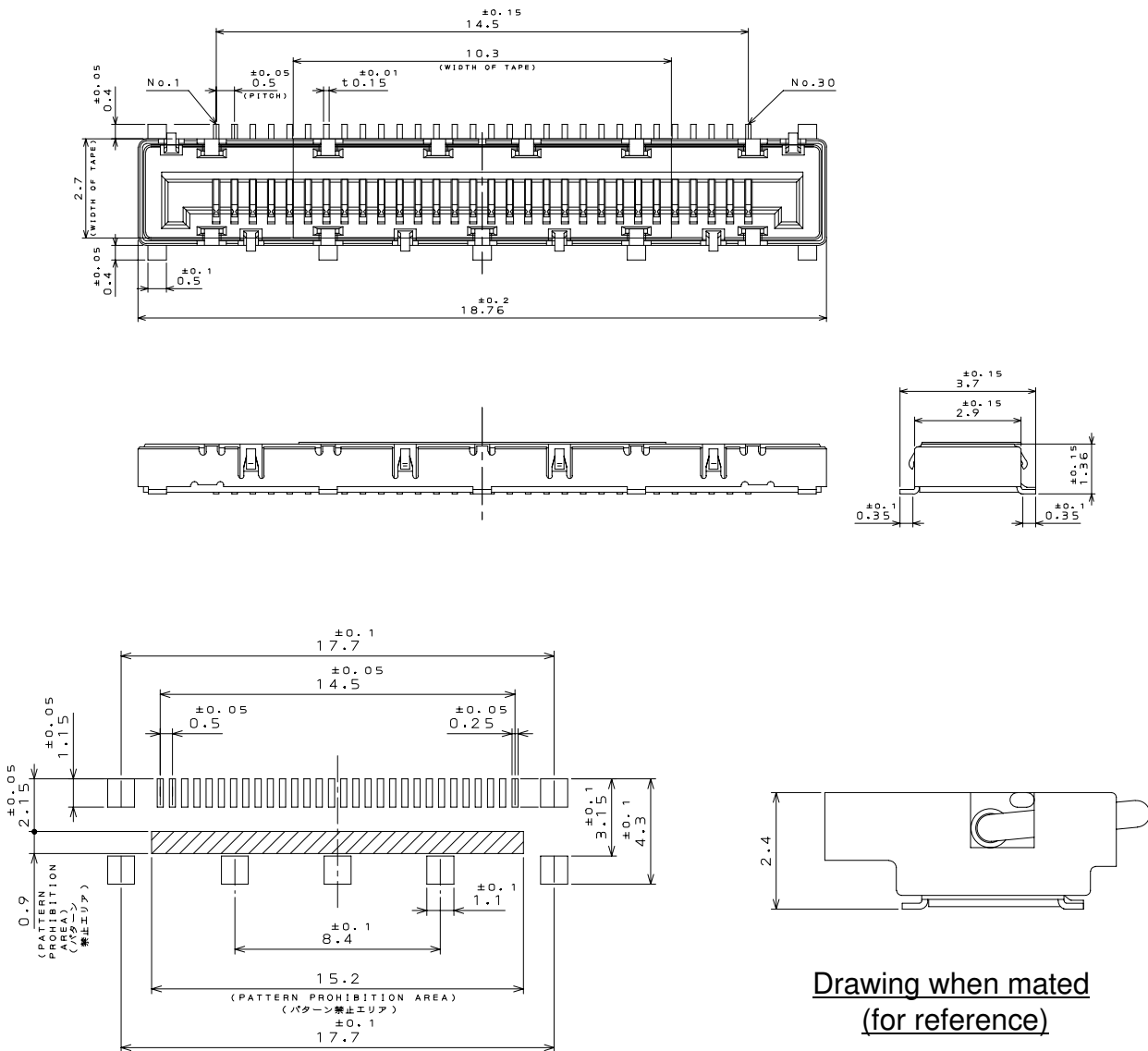


Ordering Information

Board side connector
Individual product (SJ104302)



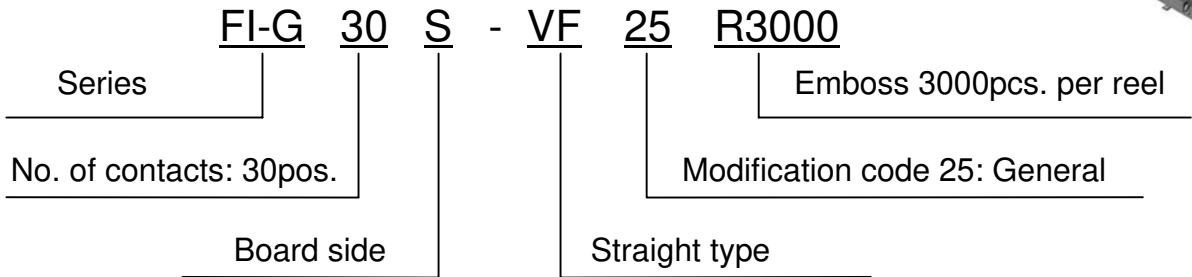
Unit: mm



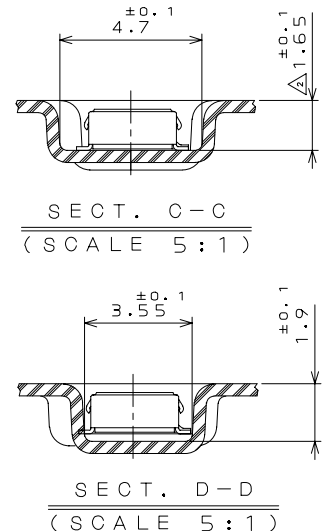
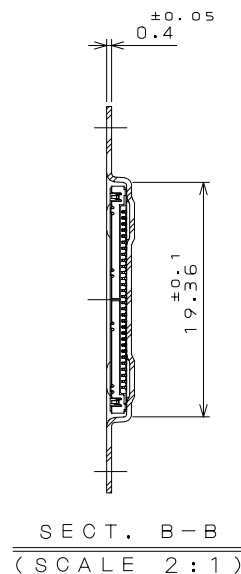
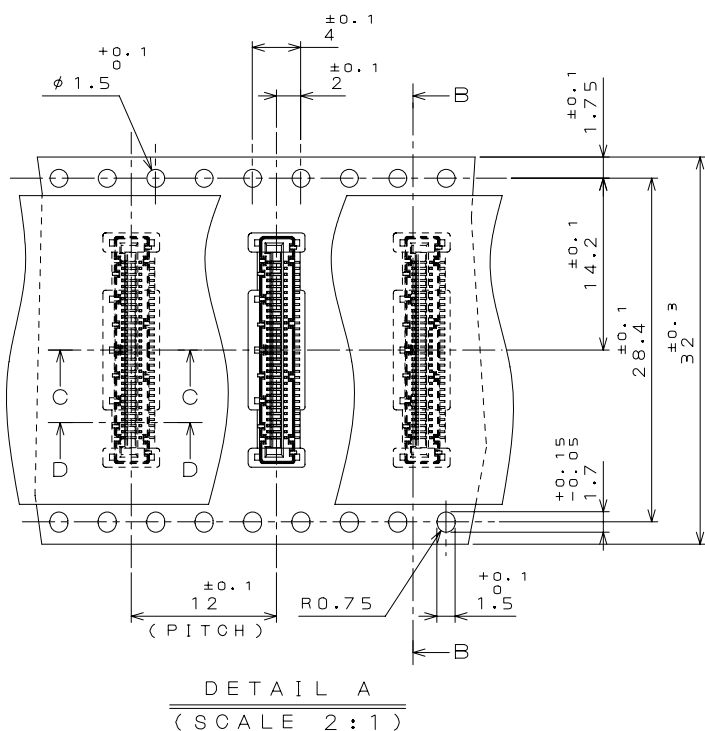
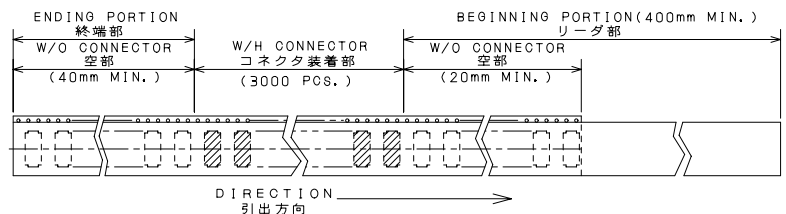
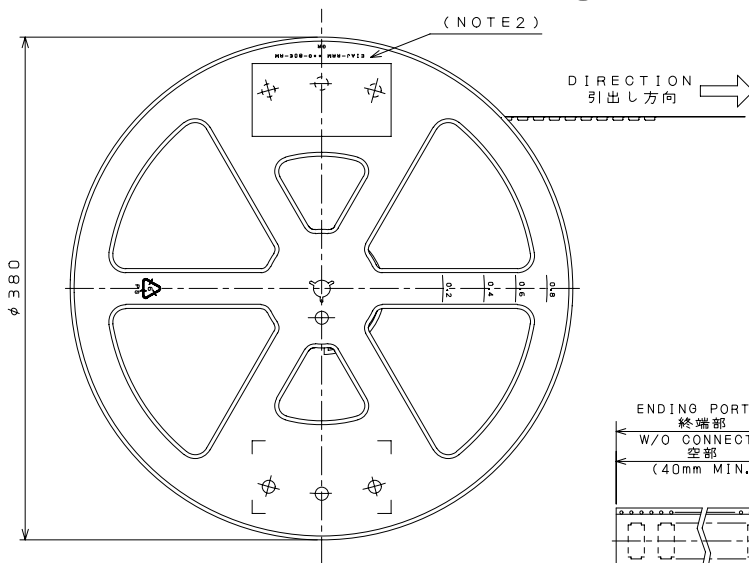
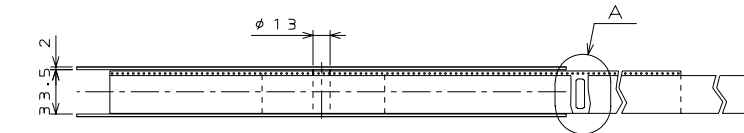
Recommend Board Dimensions

Ordering Information

Board side connector
Embossed product (SJ1043023)

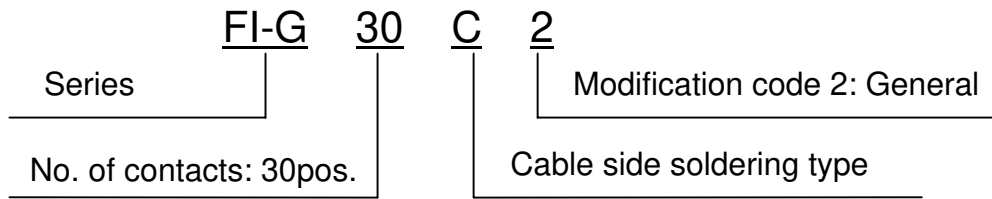


Unit: mm

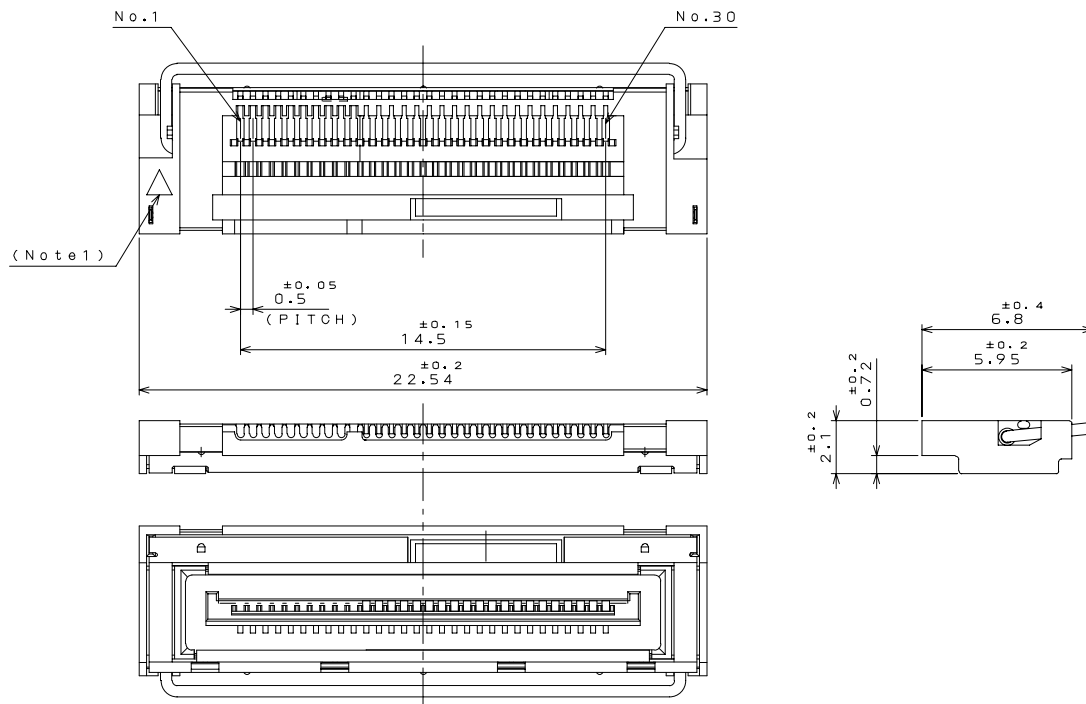


Ordering Information

Cable side connector
Individual product (SJ104300)



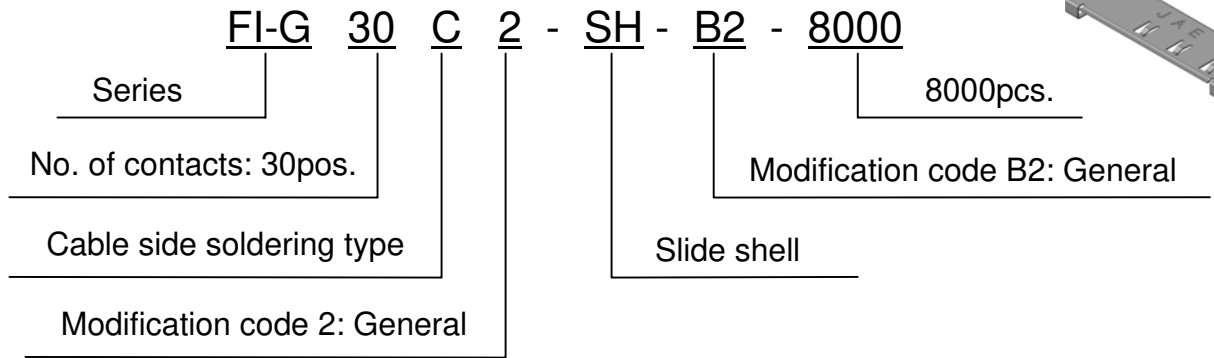
Unit: mm



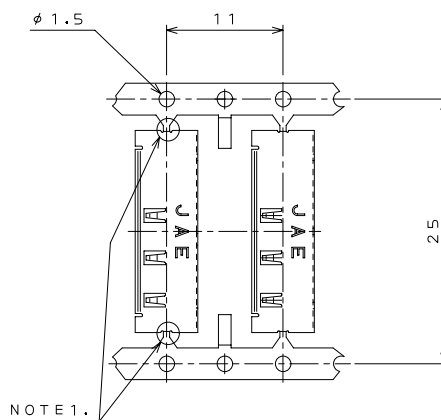
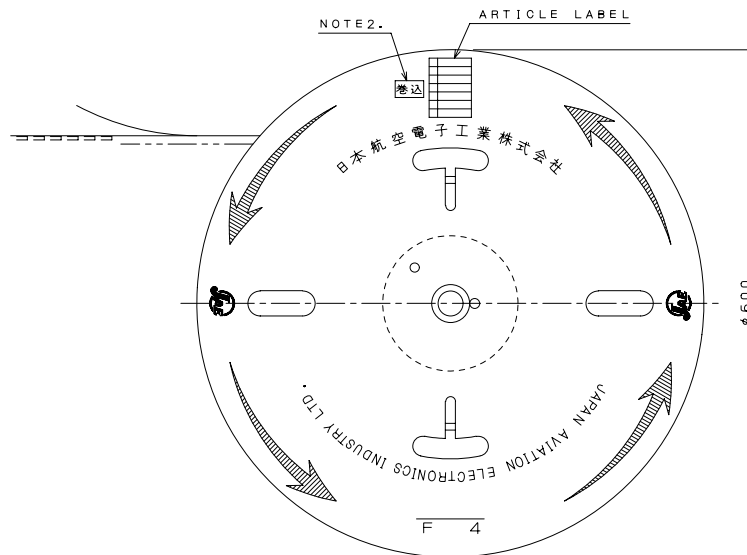
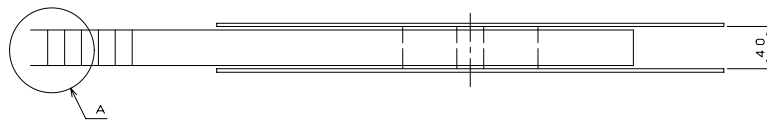
Drawing when mated (for reference)

Ordering Information

**Cable side slide shell
Magazine (SJ104301)**



Unit: mm



SECT. A-A
(SCALE 2:1)

Related Documents

- Specifications (JACS): JACS-10288

Japan Aviation Electronics Industry, Limited

Product Marketing Division
Aobadai Building, 3-1-19, Aobadai, Meguro-ku, Tokyo 153-8539
Phone: +81-3-3780-2787 FAX: +81-3-3780-2946

Notice: Products shown in this leaflet are made for the applications listed below. However, if the above-mentioned products are to be used in aerospace devices, marine cable-connection devices, atomic power control systems, medical equipment for life-support systems, and any other specific application requiring extremely high reliability, please contact JAE for further information.

Recommended applications: Computers, Office machines, Measuring devices, Telecommunication devices (Terminals, Mobile devices), AV devices, Household applications, FA devices, etc.