



Chipsmall Limited consists of a professional team with an average of over 10 year of expertise in the distribution of electronic components. Based in Hongkong, we have already established firm and mutual-benefit business relationships with customers from,Europe,America and south Asia,supplying obsolete and hard-to-find components to meet their specific needs.

With the principle of "Quality Parts,Customers Priority,Honest Operation,and Considerate Service",our business mainly focus on the distribution of electronic components. Line cards we deal with include Microchip,ALPS,ROHM,Xilinx,Pulse,ON,Everlight and Freescale. Main products comprise IC,Modules,Potentiometer,IC Socket,Relay,Connector.Our parts cover such applications as commercial,industrial, and automotives areas.

We are looking forward to setting up business relationship with you and hope to provide you with the best service and solution. Let us make a better world for our industry!



Contact us

Tel: +86-755-8981 8866 Fax: +86-755-8427 6832

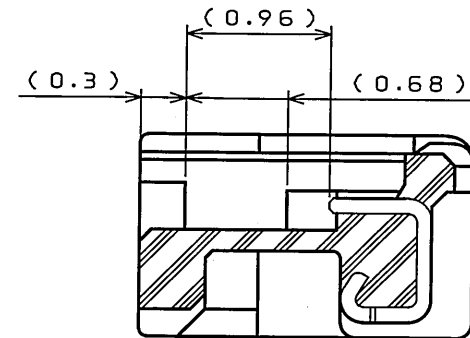
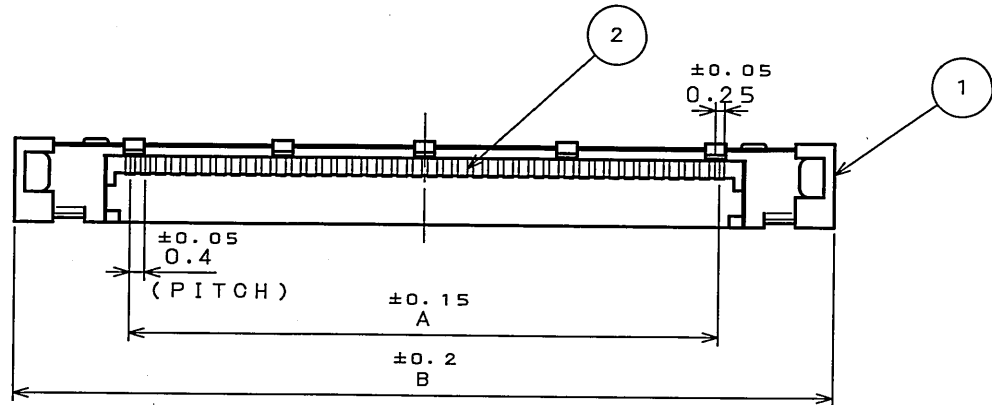
Email & Skype: info@chipsmall.com Web: www.chipsmall.com

Address: A1208, Overseas Decoration Building, #122 Zhenhua RD., Futian, Shenzhen, China

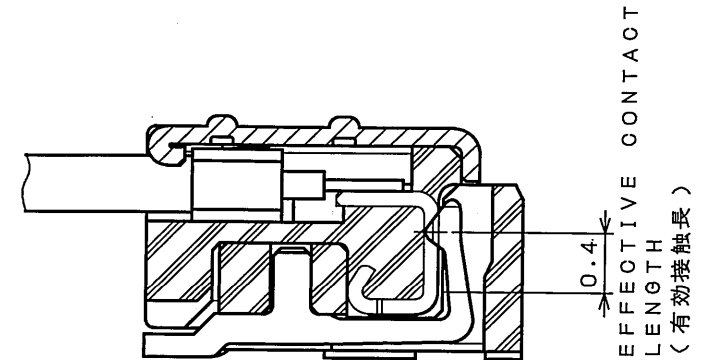
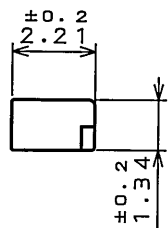
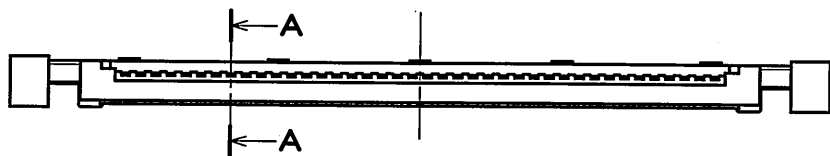


LE9901RS
(ON 0NIMVHD)台要理図

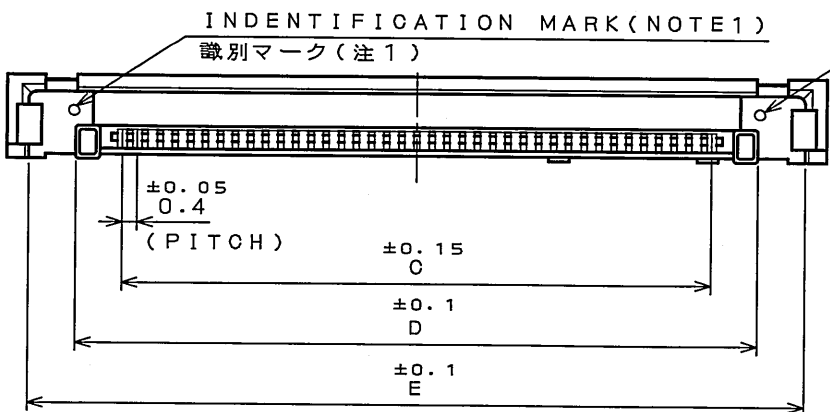
| 版数 REV. | 年月日 DATE | DCN NO. | 変更内容 DESCRIPTION | 製図 DR. | 担当 CHK. | 査閲 APPD. | 承認 APPD. |
|------------|-------------|---------|---------------------|-----------|------------|-------------|-------------|
| | | | | | | | |
| | | | | | | | |



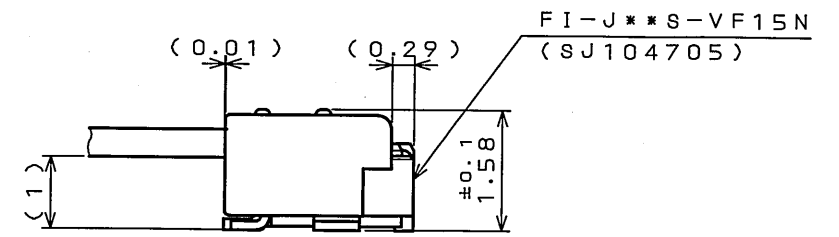
SECT. A-A
(SCALE 20:1)



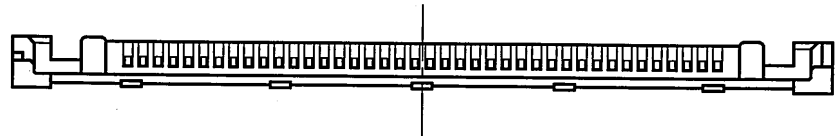
SECT. OF MATED CONDITION (REF.)
嵌合状態断面図(参考)



| No. OF CONTACTS | 20 | 25 | 30 | 35 | 40 |
|-----------------|-------|-------|-------|-------|-------|
| A | 7.6 | 9.6 | 11.6 | 13.6 | 15.6 |
| B | 13.7 | 15.7 | 17.7 | 19.7 | 21.7 |
| C | 7.6 | 9.6 | 11.6 | 13.6 | 15.6 |
| D | 10.06 | 12.06 | 14.06 | 16.06 | 18.06 |
| E | 12.56 | 14.56 | 16.56 | 18.56 | 20.56 |



MATED CONDITION (REF.)
嵌合状態(参考)



NOTE1. THERE IS IDENTIFICATION MARK IN THIS PART IN CASE OF 40PIN.
IDENTIFICATION MARK RECOGNIZED FROM OTHER TYPE.

注1. 40芯の場合はこの箇所に識別マークがあります。
識別マークは他バージョンとを見分けるためのものです。

NOTE.2 THERE IS IDENTIFICATION MARK IN THIS PART IN CASE OF 20PIN, 25PIN, 30PIN AND 35PIN.
IDENTIFICATION MARK RECOGNIZED FROM OTHER TYPE.

注2. 20芯, 25芯, 30芯, 35芯の場合はこの箇所に識別マークがあります。
識別マークは他バージョンとを見分けるためのものです。

| | | | | | |
|-------------------------|----------------------|-----------------------------------|-------------------------------------|---|-----------------------|
| 2 | CONTACT コンタクト | N | COPPER ALLOY 銅合金 | GOLD(0.1μmMIN) OVER NICKEL Ni/Au(0.1μm以上) | |
| 1 | INSULATOR インシュレータ | 1 | HEAT RESISTING PLASTIC 耐熱性プラスチック | | UL94 V-0 BLACK 黒 |
| 符号 NO. | 名称 DESCRIPTION | 個数 QTY. | 材 料 MATERIAL | 仕 上 FINISH | 備 考 REMARKS |
| 仕様書(SPECIFICATION) | | 第1版(ORIGINAL DATE) 22.Apr.2006 | | 尺 度(SCALE) 5:1 | シ リ ー ズ(SERIES) FI |
| 一般公差(GENERAL TOLERANCE) | | 製 図 DR. T.TSUJI | | 名 称(TITLE) FI-J**C5 | |
| 寸法(DIMENSION) | | 担 当 CHK. T.TSUJI | | 日本航空電子工業株式会社 JAPAN AVIATION ELECTRONICS INDUSTRY, LTD. | |
| 角度(ANGLES) | | 査 閲 APPD. M. Kikuchi | | | |
| . ±0.8 X° ± | | 承 認 APPD. K. Hisatomi | | | |
| .X ±0.4 X°X' ± | | | | 図面番号(DRAWING NO.) SJ106631 | |
| .XX ±0.1 | | | | 版数 (REV.) 1 | |
| .XXX ± | | | | | |

DOF-0-212F(05.06)

