



Chipsmall Limited consists of a professional team with an average of over 10 year of expertise in the distribution of electronic components. Based in Hongkong, we have already established firm and mutual-benefit business relationships with customers from,Europe,America and south Asia,supplying obsolete and hard-to-find components to meet their specific needs.

With the principle of “Quality Parts,Customers Priority,Honest Operation,and Considerate Service”,our business mainly focus on the distribution of electronic components. Line cards we deal with include Microchip,ALPS,ROHM,Xilinx,Pulse,ON,Everlight and Freescale. Main products comprise IC,Modules,Potentiometer,IC Socket,Relay,Connector.Our parts cover such applications as commercial,industrial, and automotives areas.

We are looking forward to setting up business relationship with you and hope to provide you with the best service and solution. Let us make a better world for our industry!



Contact us

Tel: +86-755-8981 8866 Fax: +86-755-8427 6832

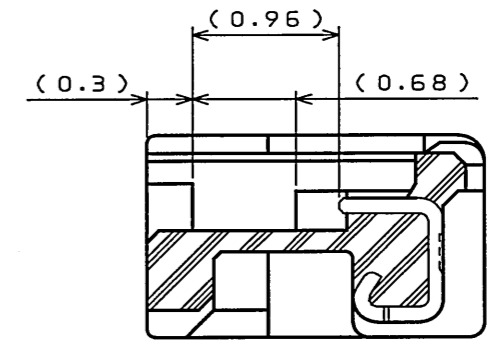
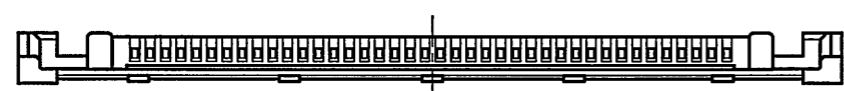
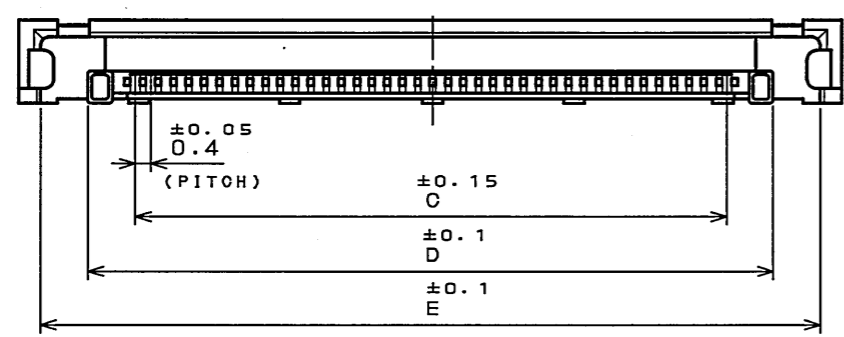
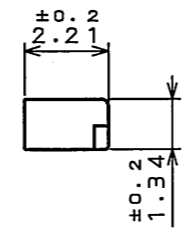
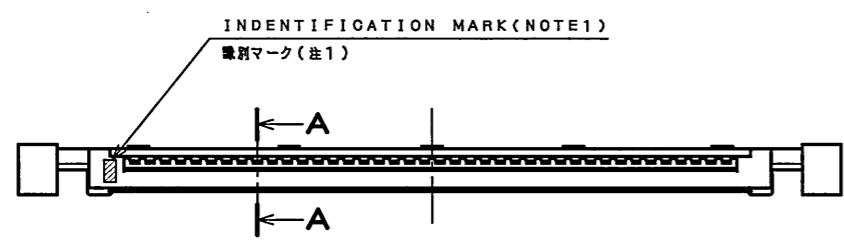
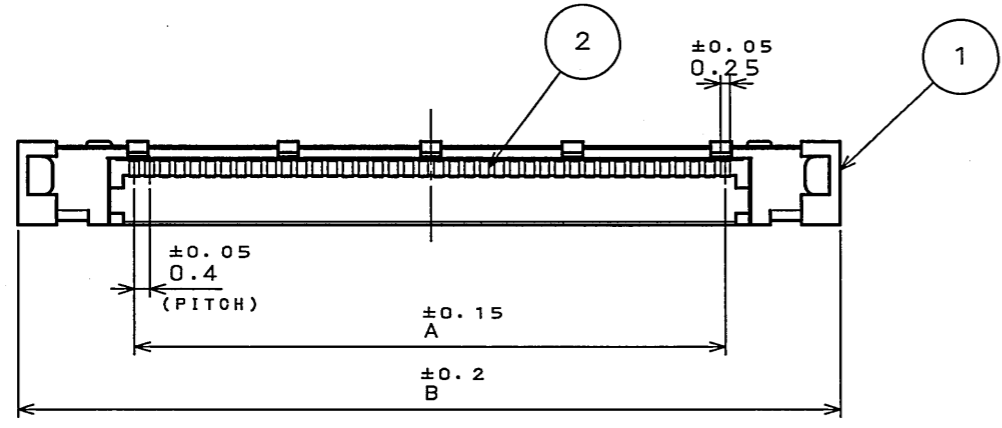
Email & Skype: info@chipsmall.com Web: www.chipsmall.com

Address: A1208, Overseas Decoration Building, #122 Zhenhua RD., Futian, Shenzhen, China

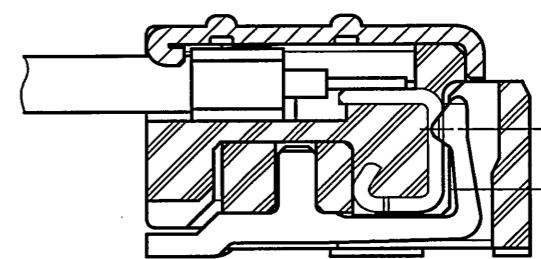


SJ107511
(DRAWING NO.) 図番

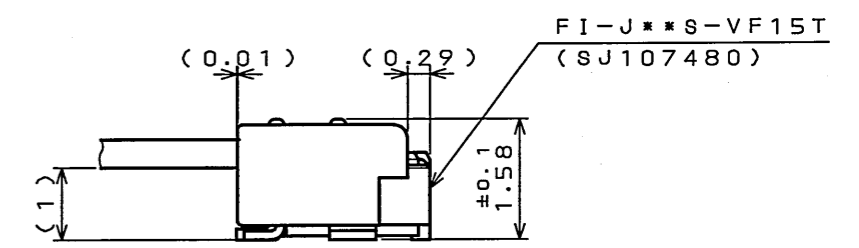
版数 REV.	年月日 DATE	DCN NO.	変更内容 DESCRIPTION	製図 DR.	担当 CHK.	査閲 APPD.	承認 APPD.



SECT. A-A
(SCALE 20:1)



SECT. OF MATED CONDITION (REF.)
嵌合状態断面図(参考)



MATED CONDITION (REF.)
嵌合状態(参考)

No. OF CONTACTS	20	25	30	35	40
A	7.6	9.6	11.6	13.6	15.6
B	13.7	15.7	17.7	19.7	21.7
C	7.6	9.6	11.6	13.6	15.6
D	10.06	12.06	14.06	16.06	18.06
E	12.56	14.56	16.56	18.56	20.56

NOTE1. IDENTIFICATION MARK RECOGNIZED FROM OTHER TYPE.
注1. 識別マークは他バージョンとを見分けるためのものです。

2	CONTACT コンタクト	N	COPPER ALLOY 銅合金	GOLD(0.1μmMIN) OVER NICKEL Ni/Au(0.1μm以上)	UL94 V-0 BLACK 黒
1	INSULATOR インシュレータ	1	HEAT RESISTING PLASTIC 耐熱性プラスチック		
符号 NO.	名称 DESCRIPTION	個数 QTY.	材 料 MATERIAL	仕 上 FINISH	備 考 REMARKS
仕様書(SPECIFICATION)		第1版(ORIGINAL DATE) 19.Feb.2007		尺 度(SCALE) 5:1	シ リ ー ス(SERIES) FI-J
一般公差(GENERAL TOLERANCE)		製 図 DR.		名 称(TITLE) FI-J**C6	
寸法(DIMENSION) 角度(ANGLES)		担 当 CHK. T.TSUJI		日本航空電子工業株式会社 JAPAN AVIATION ELECTRONICS INDUSTRY, LTD.	
. ±0.8 ° ±		担 当 CHK. T.TSUJI			
.X ±0.4 °X ±		査 閲 APPD. M. HIKUCHI			
.XX ±0.1		承 認 APPD. K. HIGASHI		図面番号(DRAWING NO.) SJ107511	
.XXX ±				質量(MASS)	

DOF-0-212F(05.08)

