



Chipsmall Limited consists of a professional team with an average of over 10 year of expertise in the distribution of electronic components. Based in Hongkong, we have already established firm and mutual-benefit business relationships with customers from,Europe,America and south Asia,supplying obsolete and hard-to-find components to meet their specific needs.

With the principle of "Quality Parts,Customers Priority,Honest Operation,and Considerate Service",our business mainly focus on the distribution of electronic components. Line cards we deal with include Microchip,ALPS,ROHM,Xilinx,Pulse,ON,Everlight and Freescale. Main products comprise IC,Modules,Potentiometer,IC Socket,Relay,Connector.Our parts cover such applications as commercial,industrial, and automotives areas.

We are looking forward to setting up business relationship with you and hope to provide you with the best service and solution. Let us make a better world for our industry!



Contact us

Tel: +86-755-8981 8866 Fax: +86-755-8427 6832

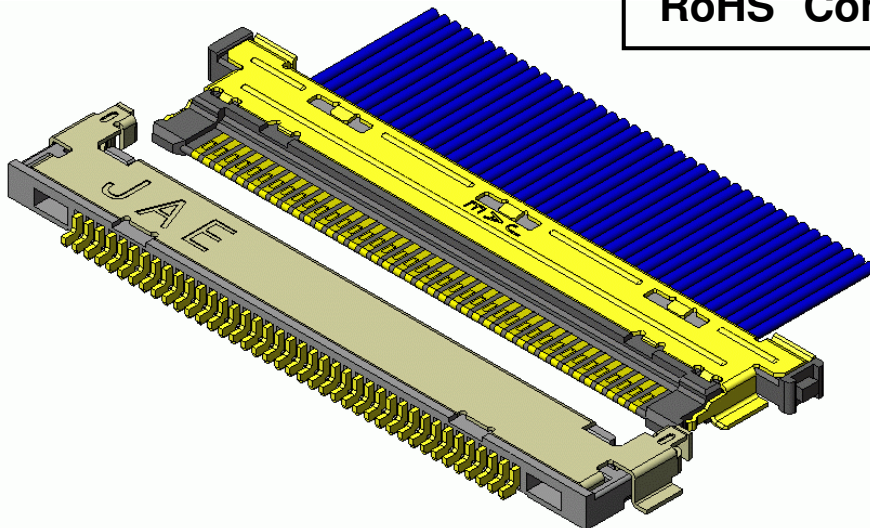
Email & Skype: info@chipsmall.com Web: www.chipsmall.com

Address: A1208, Overseas Decoration Building, #122 Zhenhua RD., Futian, Shenzhen, China



NEW


Fine-Coax Wire Connector for Small Portable Devices CONNECTOR

FI-JH SeriesMB-0179-2
October 2008**RoHS Compliant**

In addition to incorporating new functions such as one segment TV, the global trend of slimming cell phone size is accelerating. To slim the devices, the connectors need to be low profile. Also, the demand for anti-noise performance is growing in order to accommodate the multiple functions. To meet these demands the FI-JH Series horizontal connector, with a mating height of only 1mm and designed for anti-noise performance, has been developed.

Features

- Low profile and small size
- 40 position mated dimensions: 6.1mm depth, 21.7mm width, 1.00mm height
- Stable connection by a secure 0.71mm valid contact length
- Low contact resistance at gold plated ground contact points on plug and receptacle
- Friction lock to prevent removal on impact
- +/- 0.5mm guide length for excellent insertion
- Supports automated mounting with embossed tape supply for receptacle
- Solder migration prevention structure with Ni barrier on receptacle
- Applicable wire: Coaxial 42 to 46 AWG

General Specifications

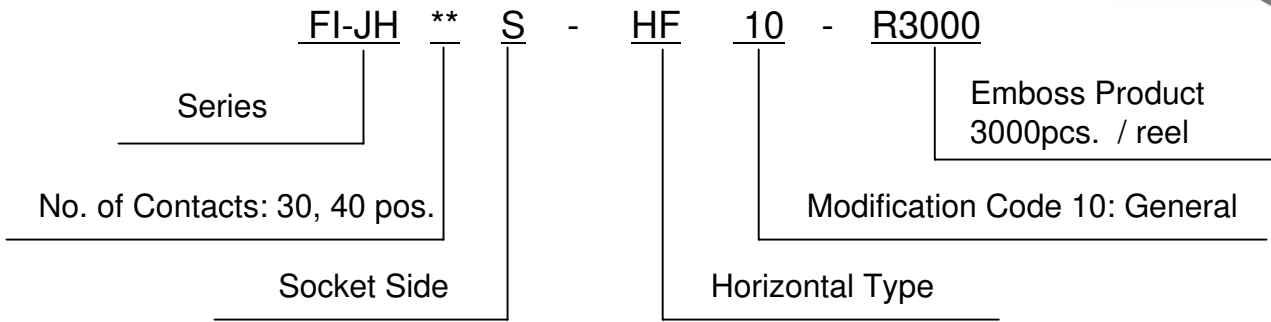
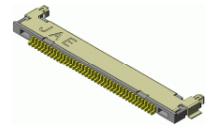
- No. of Contacts : 30, 35, 40 pos.
- Pitch: 0.4mm
- Operating Temperature:
-40 Deg. C to +85 Deg. C
- Contact Resistance: 40m ohm max.
- Durability: 30 mating cycles
- Rated Current: AC, DC each 0.3A per pos.
- Rated Voltage: AC, DC each 50V per pos.
- Insulation Resistance: 100M ohm min.
- Dielectric Withstanding Voltage:
AC 250Vr. m.s per minute
- Applicable Wire: 42 to 46 AWG

Materials and Finishes

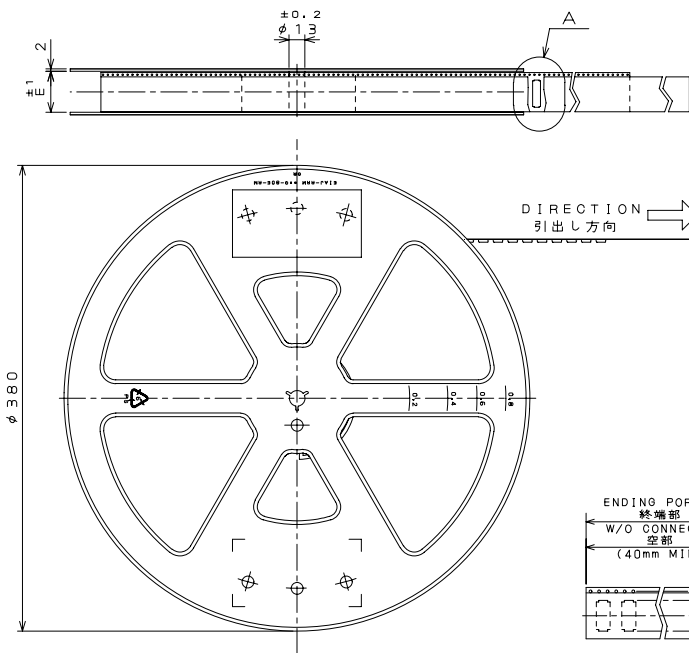
| Component | Material / Finish |
|-----------------------------------|---|
| Receptacle (FI-JH**S-HF10-*) | |
| Contact | Copper alloy / Contact area Au plating over Ni, Terminal area Au flash plating over Ni |
| Shell | Stainless steel (30 pos., 40pos.), Copper alloy (35 pos.) / Contact area Au flash plating over Ni, Terminal area Sn plating |
| Insulator | Heat resistant plastic UL94V-0 |
| Plug (FI-JH**C-B) | |
| Contact | Copper alloy / Contact area Au plating over Ni, Connection area Au flash plating over Ni |
| Insulator | Heat resistant plastic UL94V-0 |
| Base Shell | Stainless steel / Au flash plating over Ni |
| Plug Cover Shell (FI-JH**C-CSH-1) | |
| Cover Shell | Stainless steel / Au flash plating over Ni |

Ordering Information

Receptacle Side
Emboss Product
(30, 40 pos. SJ106788)

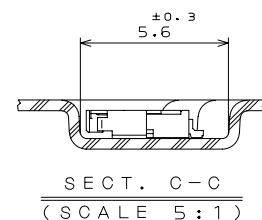
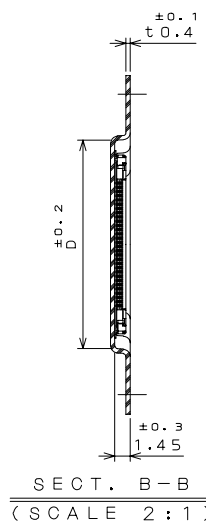
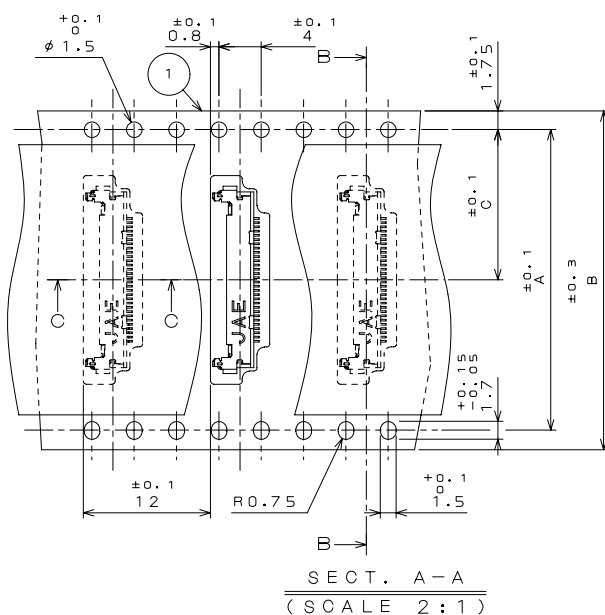
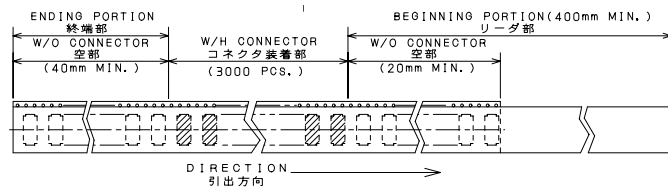


Unit:mm



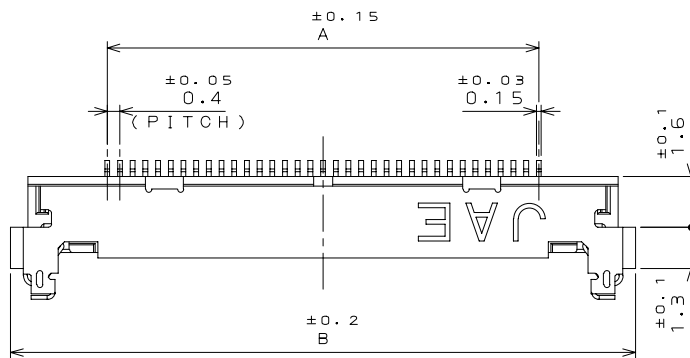
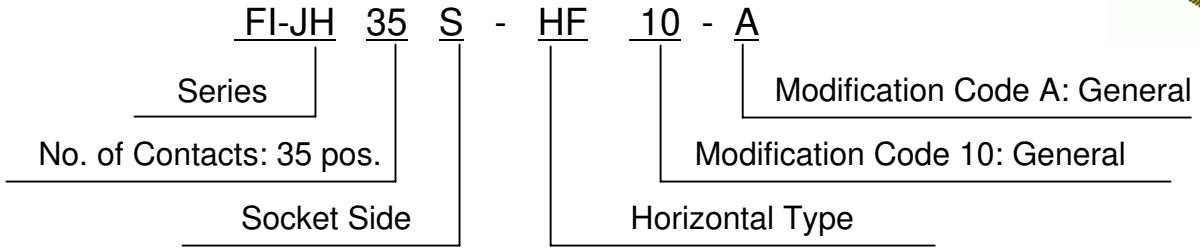
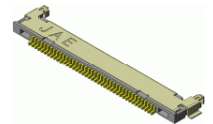
Dimensions

| No. OF CONTACTS | 30 | 40 |
|-----------------|------|------|
| A | 28.4 | 40.4 |
| B | 32 | 44 |
| C | 14.2 | 20.2 |
| D | 19.7 | 23.7 |
| E | 33.5 | 45.5 |

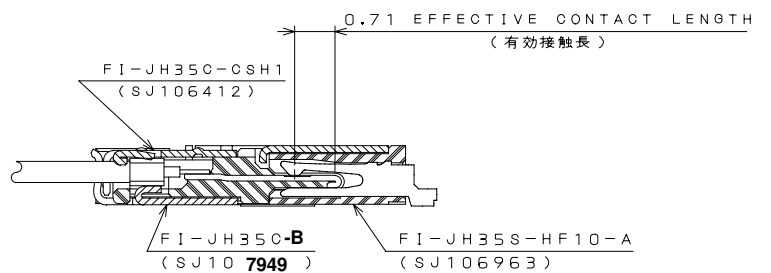
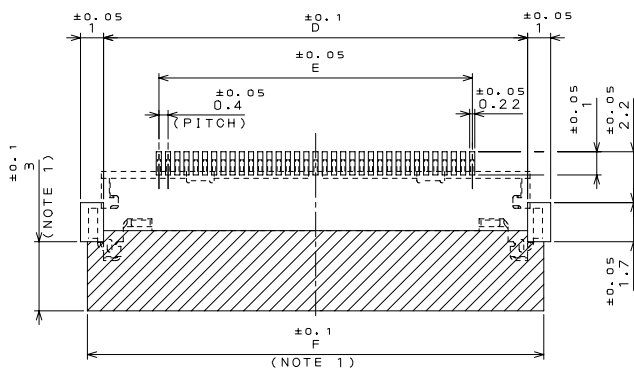
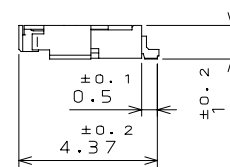
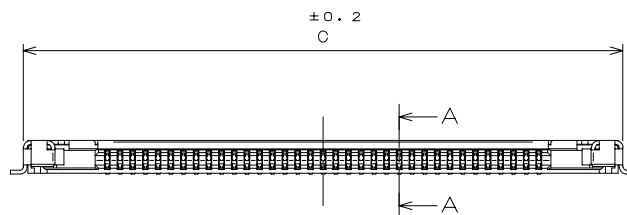


Ordering Information

Receptacle Side
Individual Product
(35 pos. SJ106963)



Unit:mm



Recommended dimension of board

Drawing when mated
(for reference)

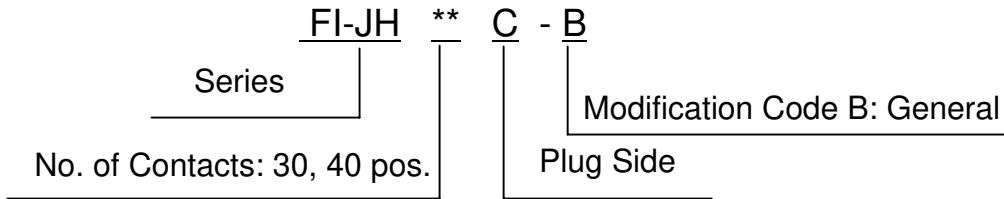
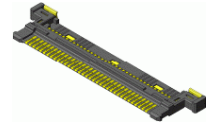
NOTE 1. Plug connector contact area: pattern and through hole are prohibited.
However, ground is possible.

Dimensions

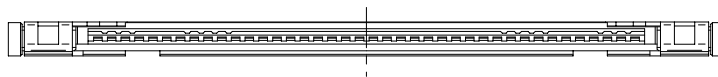
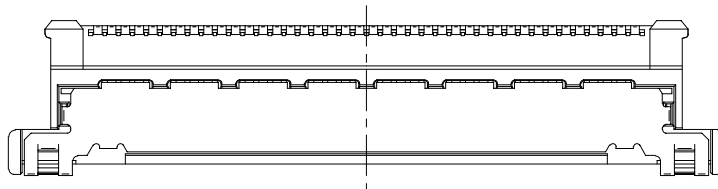
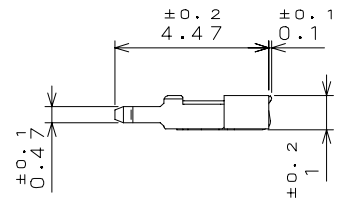
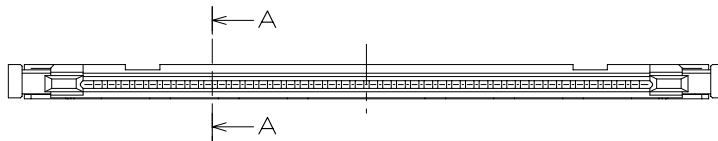
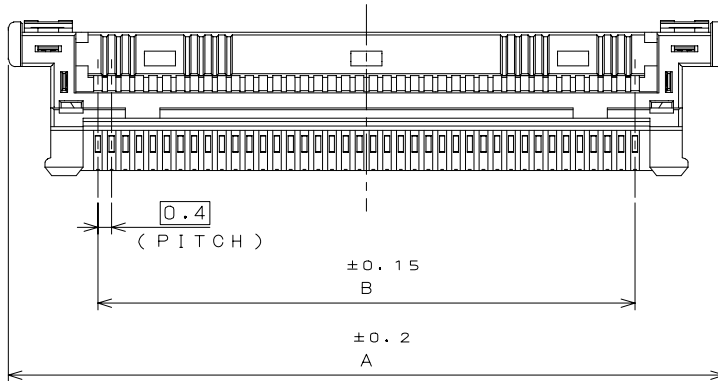
| DIMENSION NO.OF CONTACTS(N) | A | B | C | D | E | F |
|--------------------------------|------|------|------|------|------|------|
| 35 | 13.6 | 19.7 | 18.9 | 18.4 | 13.6 | 19.8 |

Ordering Information

Plug Side, Insulator
(30, 40 pos. SJ108085)



Unit:mm

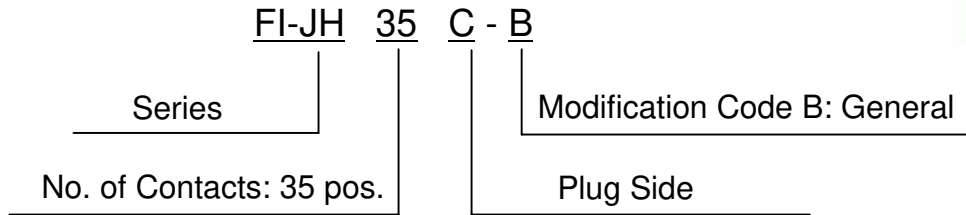
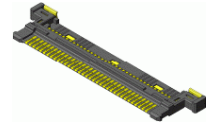


Dimensions

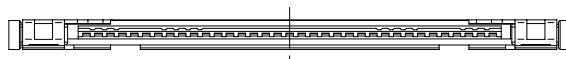
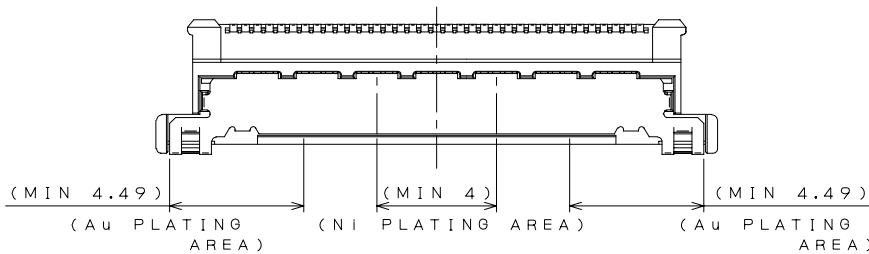
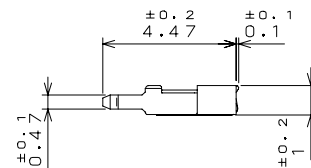
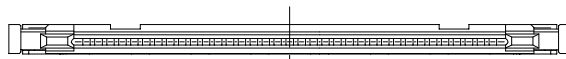
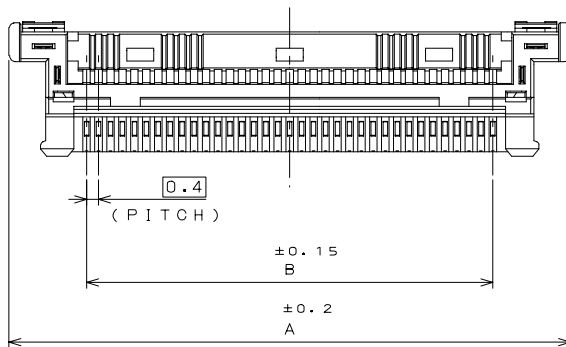
| No. OF CONTACTS | A | B |
|-----------------|------|------|
| 40 | 20.8 | 15.6 |
| 30 | 16.8 | 11.6 |

Ordering Information

Plug Side, Insulator
(35 pos. SJ107949)



Unit:mm



Dimensions

| DIMENSION | A | B |
|-------------------|------|------|
| NO.OF CONTACTS(N) | | |
| 35 | 18.8 | 13.6 |

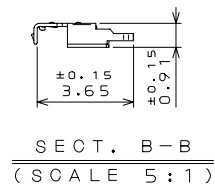
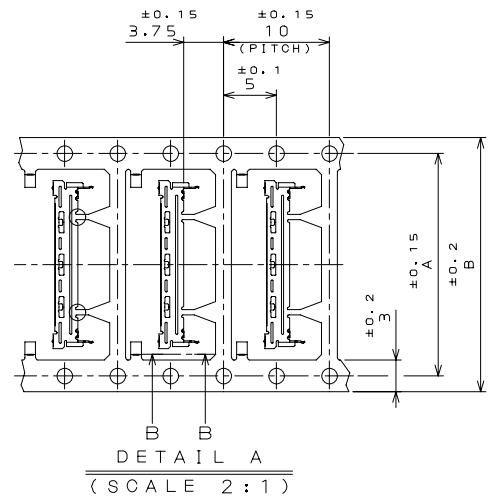
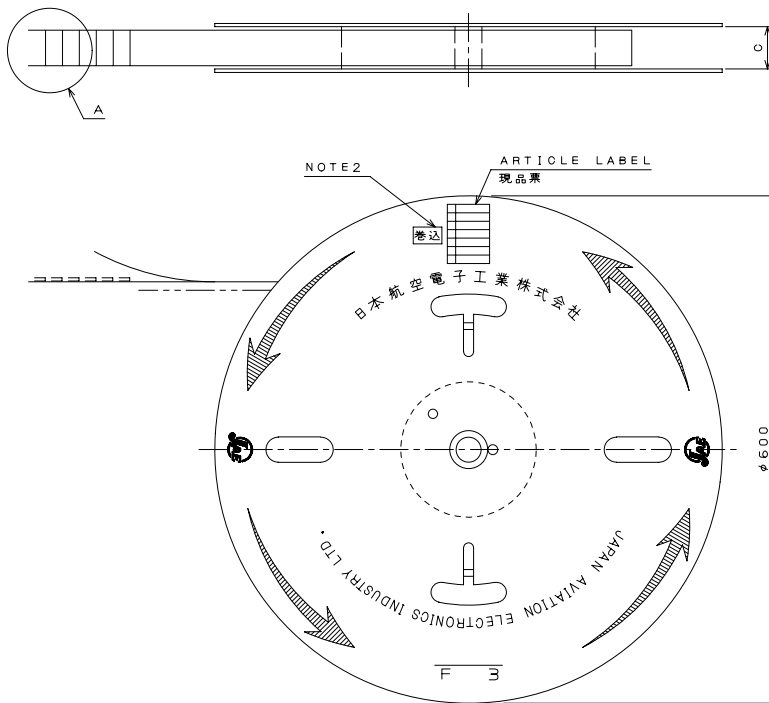
Ordering Information

Plug Side, Shell
(SJ106412)



| | | | |
|-------------------------------------|----|-----------|------------------------------------|
| FI-JH | ** | C - CSH1 | - 10000 |
| Series | | Shell | Emboss Product 10000pcs. / reel |
| No. of Contacts: 30, 35, 40 pos. | | Plug Side | |

Unit:mm



Dimensions

| NO.OF CONTACTS(N) | DIMENSION | | |
|-------------------|-----------|----|----|
| | A | B | C |
| 30 | 21 | 24 | 32 |
| 35 | 23 | 26 | 32 |
| 40 | 25 | 28 | 32 |

| |
|-------------------|
| Related Documents |
|-------------------|

-Specifications(JACS): JACS-10363

-Harness Assembly Handling Instructions (JAHL)

30pos. : JAHL-10554-1

35pos. : JAHL-10363-2

40pos. : JAHL-10354-1

-Connector Handling Instructions (JAHL)

30pos. : JAHL-10363-10

35pos. : JAHL-10363-11

40pos. : JAHL-10363-10

-Connector Extraction Tools

30pos. SJ Drawing: SJ713201-00, P /N: SC-FIJH30-3

35pos. SJ Drawing: SJ713200-00, P /N: SC-FIJH35-3

40pos. SJ Drawing: SJ713198-00, P /N: SC-FIJH40-3

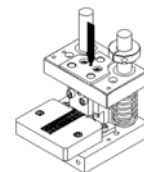
Tool Handling Instruction : T713198



-Plug Shell Cover Press-fit Tool

Part Number: WT-FIJH-1-**

Handling Instruction: T714244



Japan Aviation Electronics Industry, Limited

Product Marketing Division

Aobadai Building, 3-1-19, Aobadai, Meguro-ku, Tokyo 153-8539

Phone: +81-3-3780-2787 FAX: +81-3-3780-2946

Notice: Products shown in this leaflet are made for the applications listed below. However, if the above-mentioned products are to be used in aerospace devices, marine cable-connection devices, atomic power control systems, medical equipment for life-support systems, or any other specific application requiring extremely high reliability, please contact JAE for further information.

Recommended applications: computers, office machines, measuring devices, telecommunication devices (terminals, mobile devices), AV devices, household applications, FA devices, etc.