



Chipsmall Limited consists of a professional team with an average of over 10 year of expertise in the distribution of electronic components. Based in Hongkong, we have already established firm and mutual-benefit business relationships with customers from,Europe,America and south Asia,supplying obsolete and hard-to-find components to meet their specific needs.

With the principle of “Quality Parts,Customers Priority,Honest Operation,and Considerate Service”,our business mainly focus on the distribution of electronic components. Line cards we deal with include Microchip,ALPS,ROHM,Xilinx,Pulse,ON,Everlight and Freescale. Main products comprise IC,Modules,Potentiometer,IC Socket,Relay,Connector.Our parts cover such applications as commercial,industrial, and automotives areas.

We are looking forward to setting up business relationship with you and hope to provide you with the best service and solution. Let us make a better world for our industry!



Contact us

Tel: +86-755-8981 8866 Fax: +86-755-8427 6832

Email & Skype: info@chipsmall.com Web: www.chipsmall.com

Address: A1208, Overseas Decoration Building, #122 Zhenhua RD., Futian, Shenzhen, China





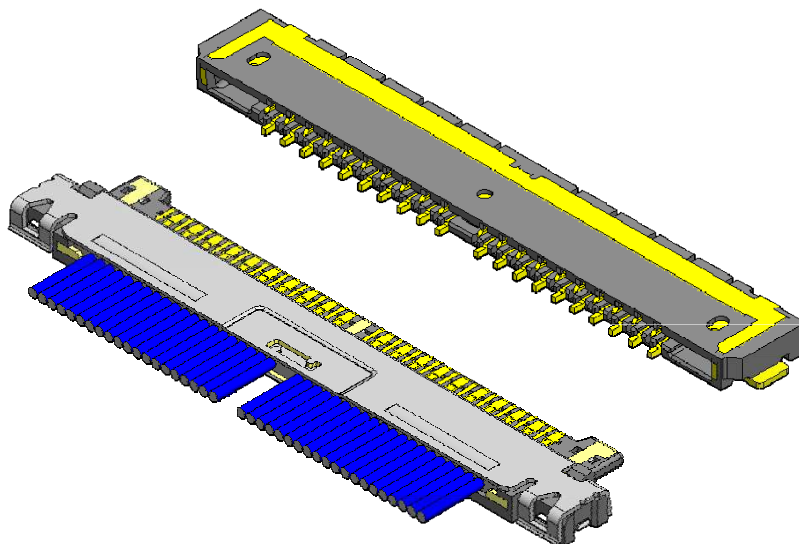
Fine-wire Coaxial Connector
For Compact Mobile Devices

FI-JHS Series

CONNECTOR

MB-0235-1

September 2011

RoHS Compliant

Along with the size minimization and slimming of small portable devices such as mobile phones, high-speed signal transmission inside these devices is increasing due to higher performance and the incorporation of multiple functions.

The "FI-JHS Series" is a 0.8mm mounting height, 0.25mm contact pitch, horizontal connecting fine-wire coaxial connector designed to meet the demand for more compact, lower profile connectors with anti-noise performance.

Features

- 0.25mm pitch horizontal connection to allow for minimization and slimming.
- Mated dimensions of 3.90mm depth, 14.55mm width (for 40 position), and 0.8mm max. height.
- Enhanced connection stability with gold plated ground contact points on plug and receptacle.
- Enhanced mating guides to prevent reverse mating.
- Plug connector ground bar is a common type to improve workability. (Same ground bar as FI-JP and FI-JZ Series).
- Applicable wire: compatible with 44AWG (Note 1) , 46AWG fine-wire coaxial.
Note 1: Applies to 0.25mm max. cable outer diameter.
- Stepped contact locking structure on plug contacts for enhanced retention.
- Supports automated mounting with embossed tape for receptacle
- Solder migration prevention structure with Ni barrier on receptacle

General Specifications

- | | |
|---|---|
| <ul style="list-style-type: none"> ■No. of Contacts: 40 pos. ■Contact Resistance: <ul style="list-style-type: none"> 70mΩ max. (initial) 100mΩ max. (after test) variation 60mΩ max. ■Dielectric Withstanding Voltage: <ul style="list-style-type: none"> AC 100Vr. m.s per minute | <ul style="list-style-type: none"> ■Rated Current: AC, DC each 0.2A per pos. ■Rated Voltage: AC, DC each 50V per pos. ■Insulation Resistance: 10MΩ min. (after test) ■Durability: 20 mating cycles ■Operating Temperature: <ul style="list-style-type: none"> -40 Deg. C to +85 Deg. C |
|---|---|

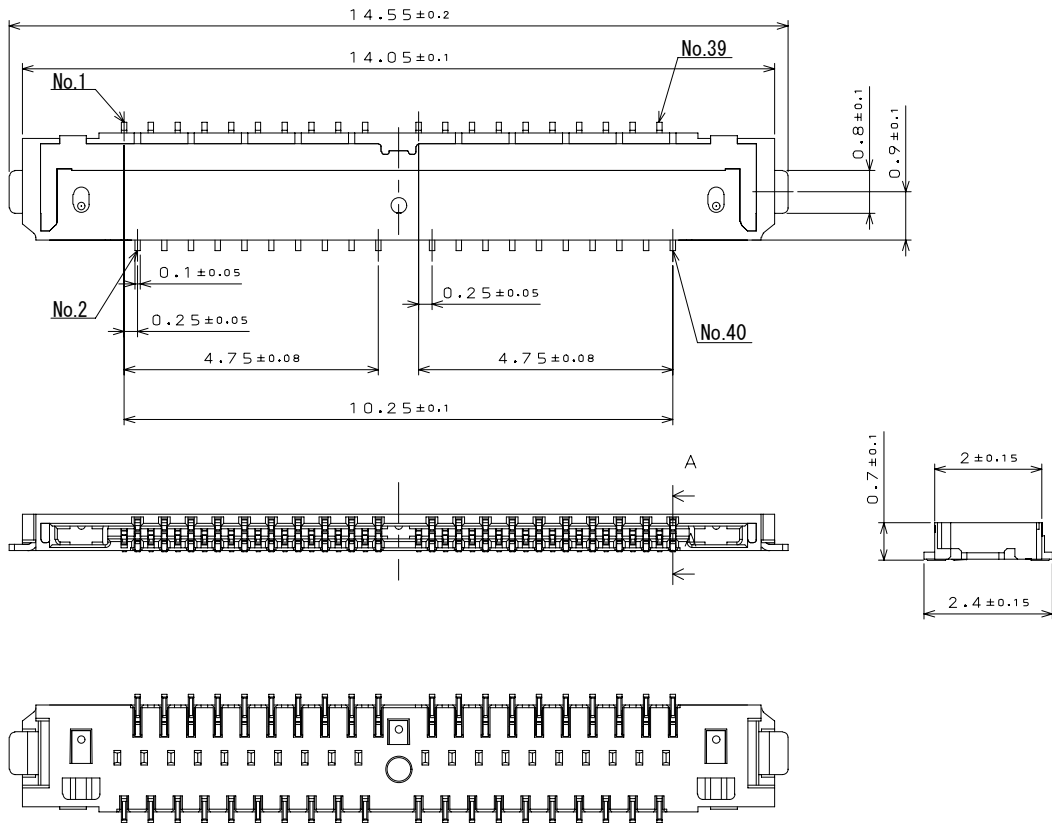
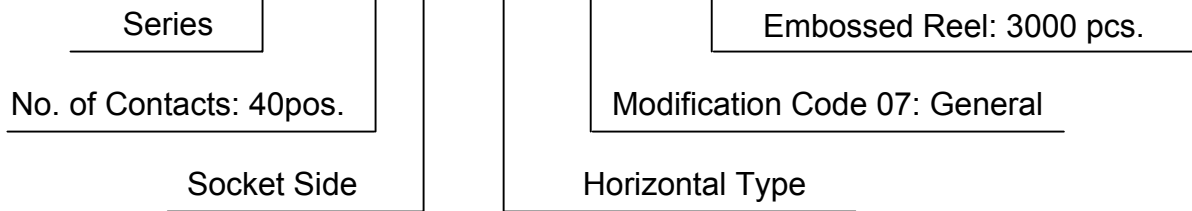
Materials and Finishes

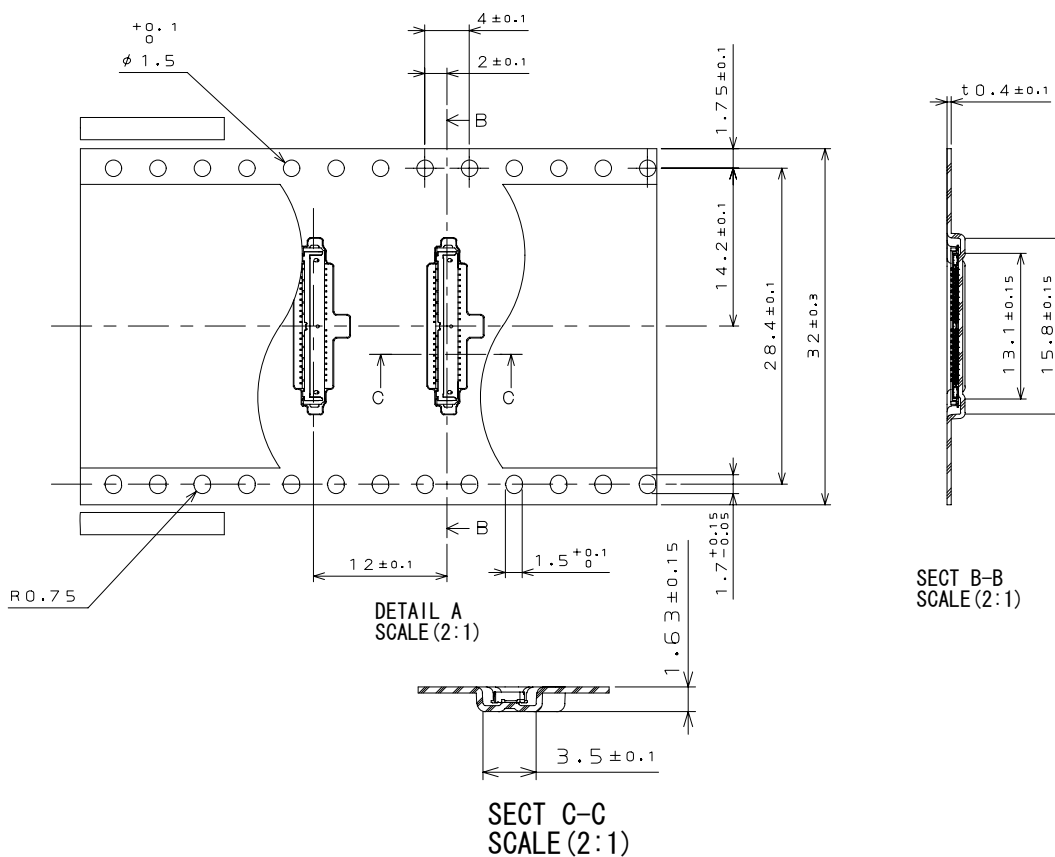
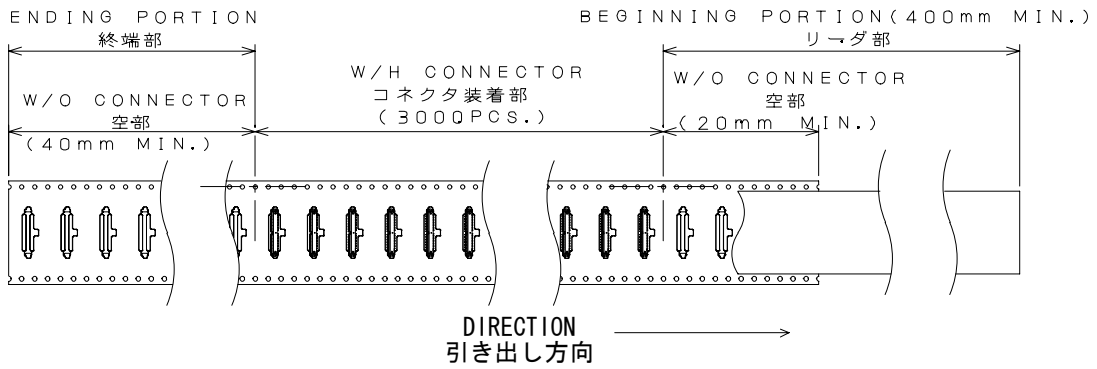
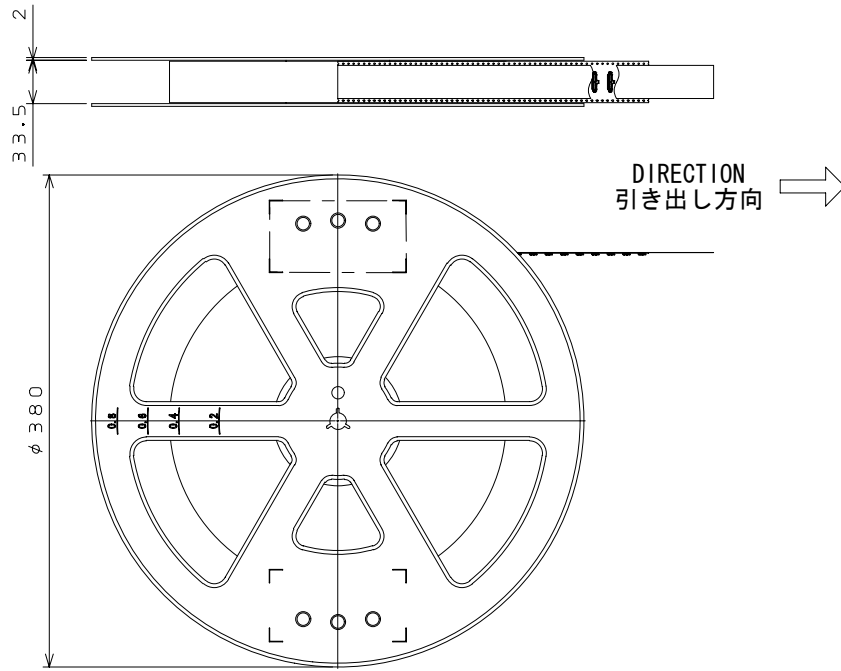
Component	Material / Finish
Receptacle (FI-JHS**S-HF07)	
Contact	Copper alloy / Contact area Au plating over Ni, Terminal area Au flash plating over Ni
Shell	Stainless steel / Contact area Au flash plating over Ni
Insulator	Heat resistant plastic
Adsorption Cover	Stainless steel
Plug (FI-JHS**C)	
Contact	Copper alloy / Contact area Au plating over Ni, Terminal area Au flash plating over Ni
Base Shell	Stainless steel / Au flash plating over Ni
Insulator	Heat resistant plastic
Plug / Cover Shell (FI-JHS**C-SH1)	
Cover shell	Stainless steel / Au flash plating over Ni

Ordering Information

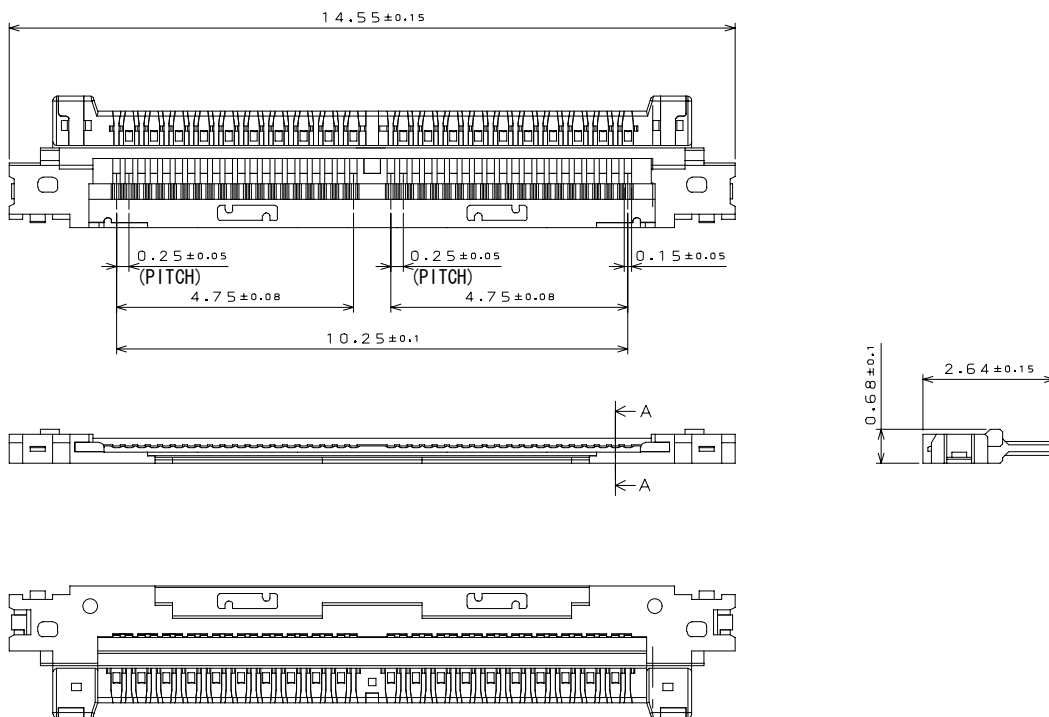
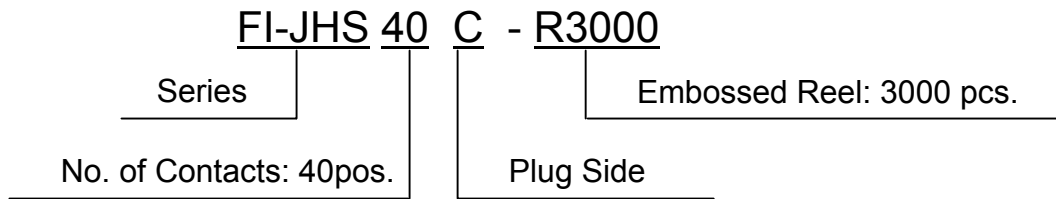
Receptacle
Individual Product (SJ110026)
Reel Product (SJ110027)

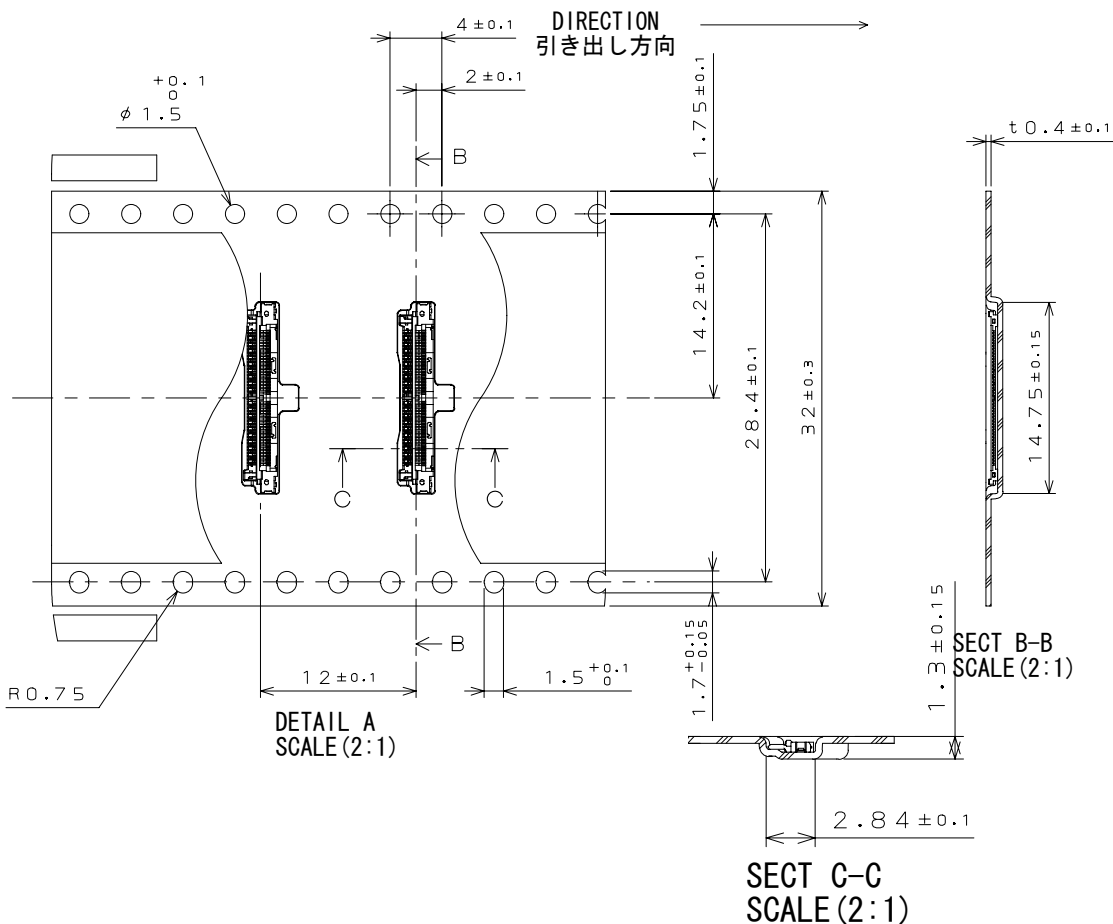
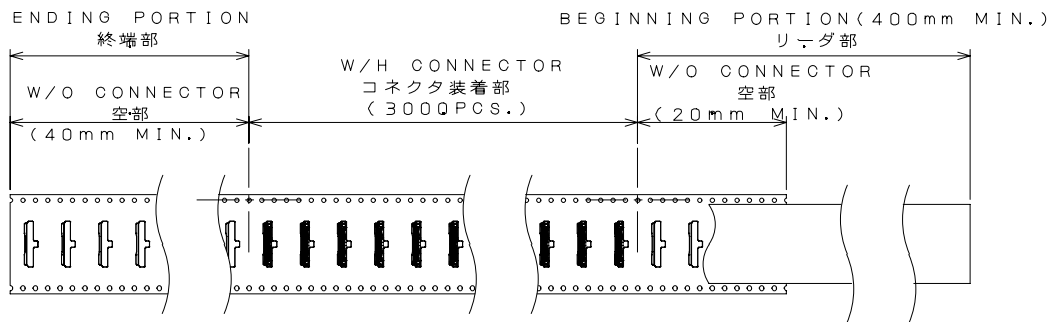
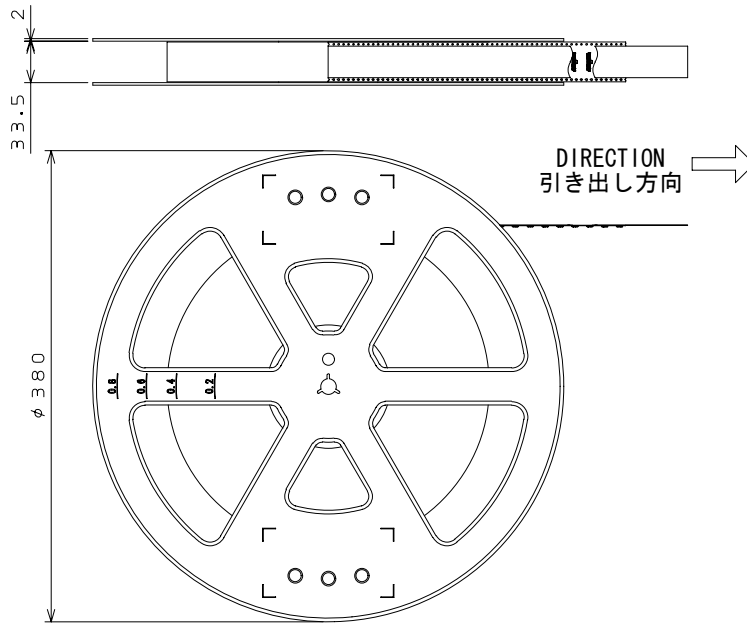
FI-JHS 40 S - HF 07 - R3000



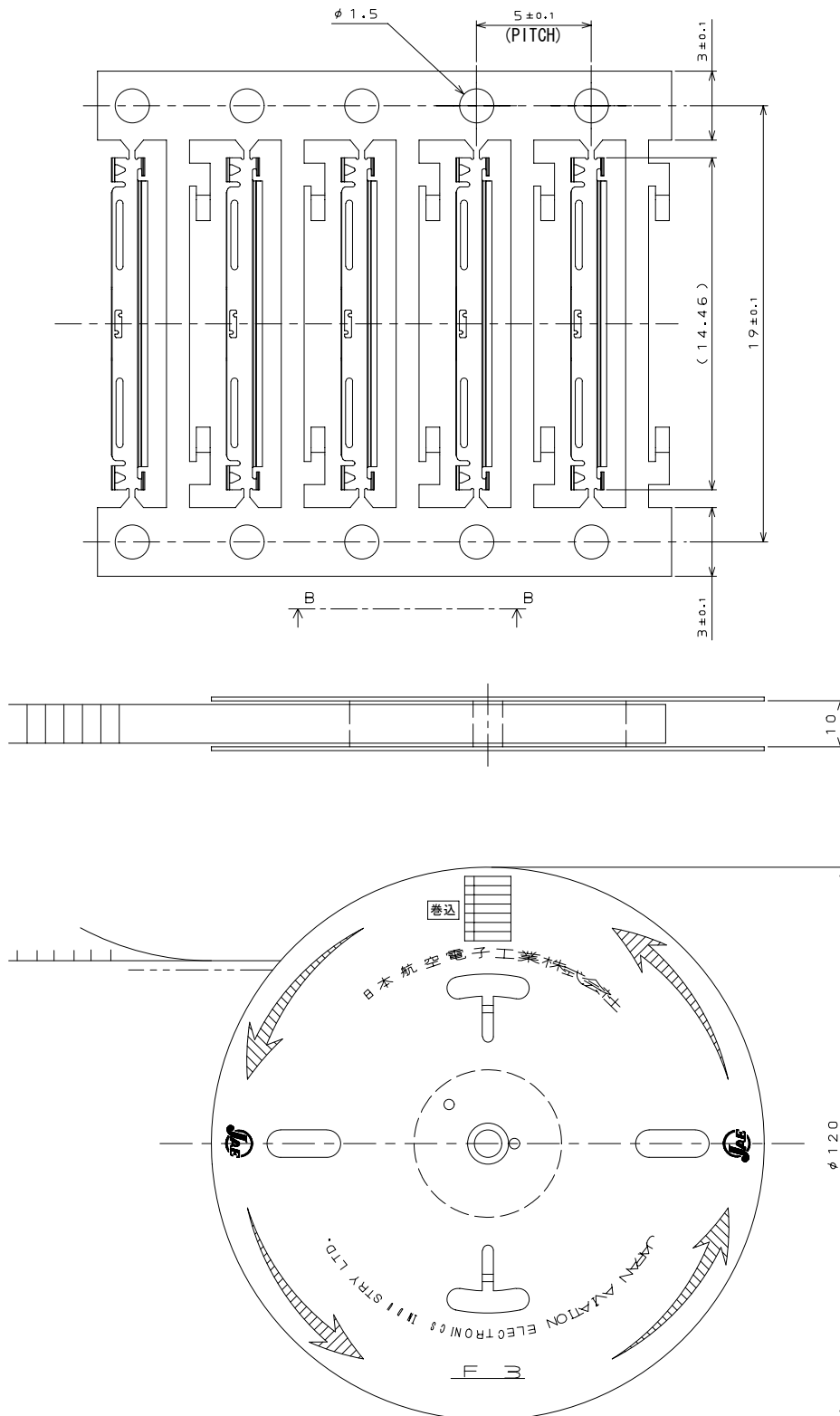
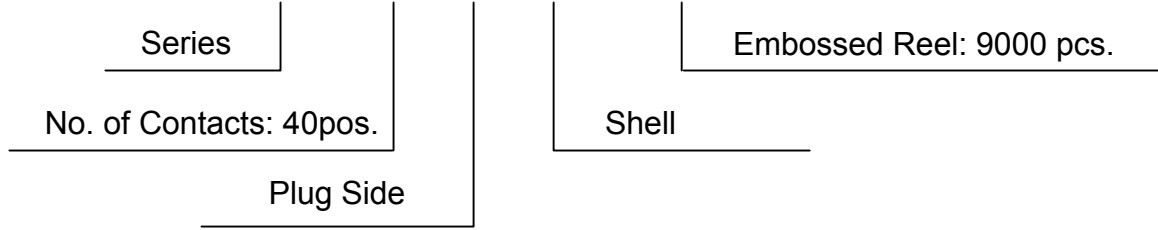


Plug
Individual Product (SJ110028)
Reel Product (SJ110029)

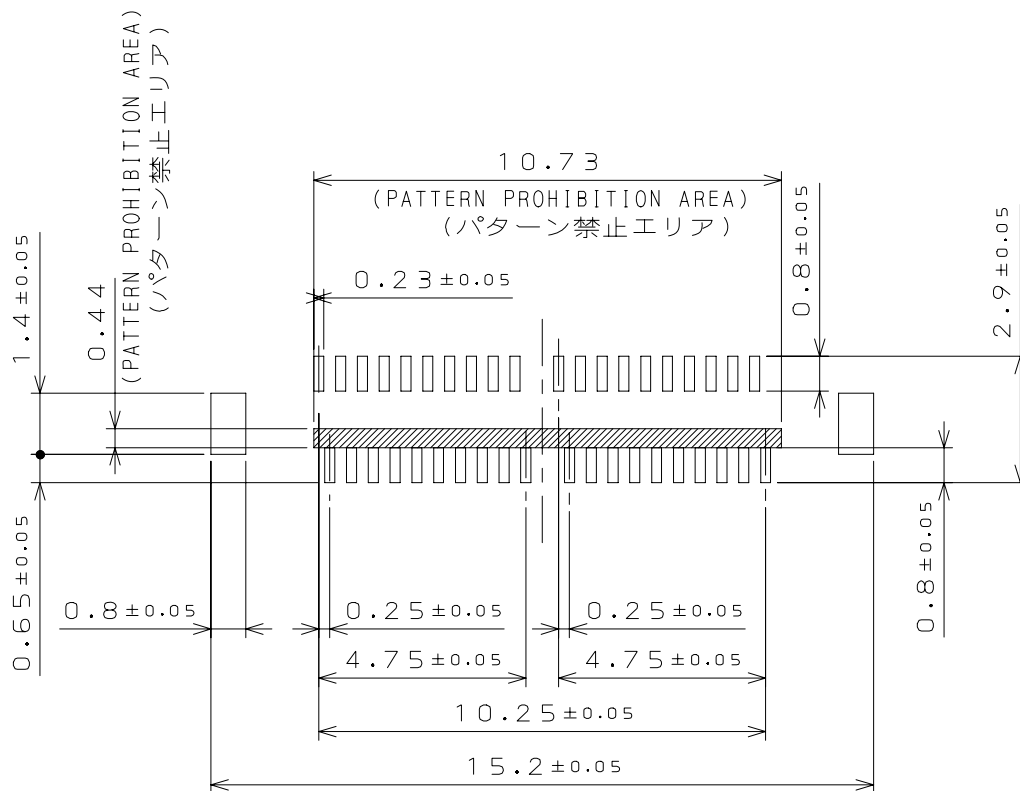




Shell (SJ110030)
FI-JHS 40 C - SH1 - 9000



<Applicable Board Dimensions>



APPLICABLE P.C.B. DIMENSION (REF.)
適合基板寸法 (参考)

Related Material

- Specifications (JACS): JACS-10658
- Harness Assembly Handling Instructions (JAHL): JAHL- 10658 -1
- Connector Handling Instructions (JAHL): JAHL- 10658 -10

Japan Aviation Electronics Industry, Limited

Product Marketing Division
Aobadai Building, 3-1-19, Aobadai, Meguro-ku, Tokyo 153-8539
Phone: +81-3-3780-2787 FAX: +81-3-3780-2946

Notice: Products shown in this brochure are made for the applications listed below. However, if the above-mentioned products are to be used in aerospace devices, marine cable-connection devices, atomic power control systems, medical equipment for life-support systems, or any other specific application requiring extremely high reliability, please contact JAE for further information.

Recommended applications: Computers, Office machines, Measuring devices, Telecommunication devices (Terminals, Mobile devices), AV devices, Household applications, FA devices, etc.