



Chipsmall Limited consists of a professional team with an average of over 10 year of expertise in the distribution of electronic components. Based in Hongkong, we have already established firm and mutual-benefit business relationships with customers from,Europe,America and south Asia,supplying obsolete and hard-to-find components to meet their specific needs.

With the principle of “Quality Parts,Customers Priority,Honest Operation,and Considerate Service”,our business mainly focus on the distribution of electronic components. Line cards we deal with include Microchip,ALPS,ROHM,Xilinx,Pulse,ON,Everlight and Freescale. Main products comprise IC,Modules,Potentiometer,IC Socket,Relay,Connector.Our parts cover such applications as commercial,industrial, and automotives areas.

We are looking forward to setting up business relationship with you and hope to provide you with the best service and solution. Let us make a better world for our industry!



Contact us

Tel: +86-755-8981 8866 Fax: +86-755-8427 6832

Email & Skype: info@chipsmall.com Web: www.chipsmall.com

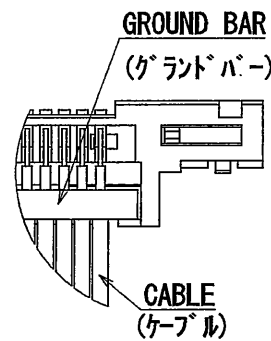
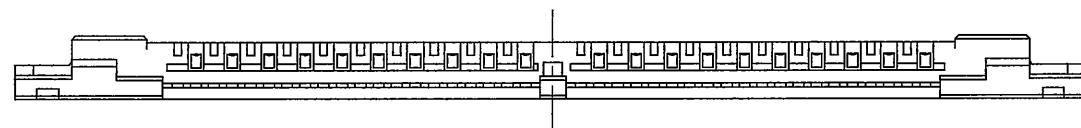
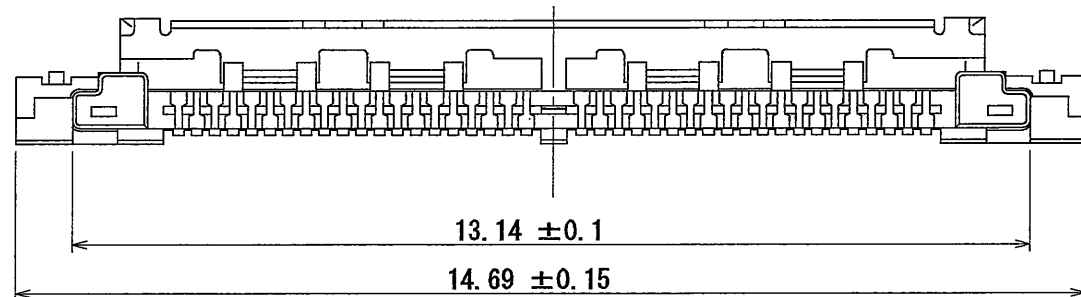
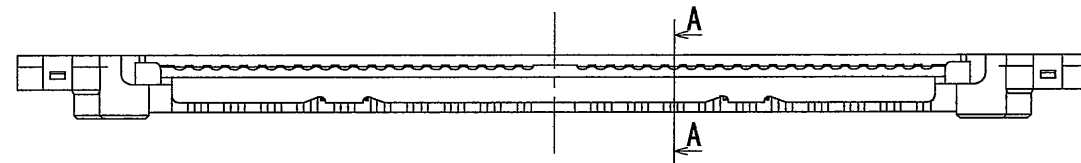
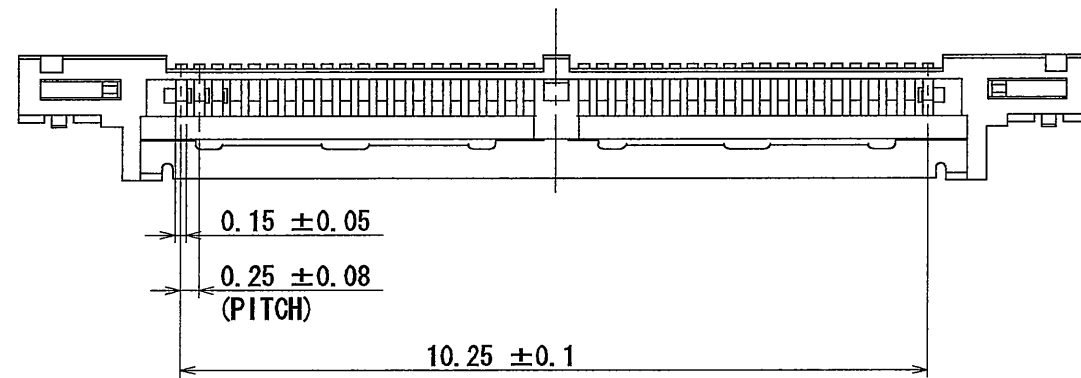
Address: A1208, Overseas Decoration Building, #122 Zhenhua RD., Futian, Shenzhen, China



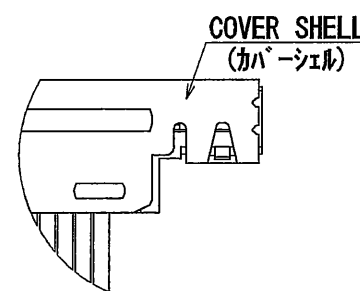
SJ109794

(図面番号) DRAWING NO.

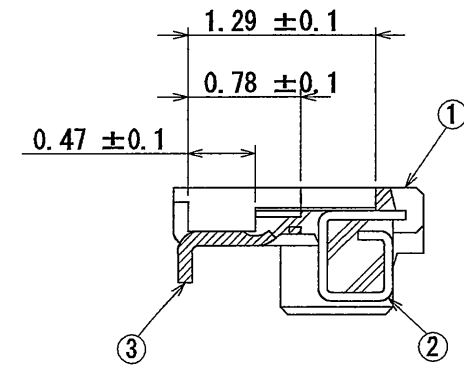
版数 REV.	年月日 DATE	DCN NO.	変更内容 DESCRIPTION	製図 DR.	担当 CHK.	査閲 APPD.	承認 APPD.
------------	-------------	---------	---------------------	-----------	------------	-------------	-------------



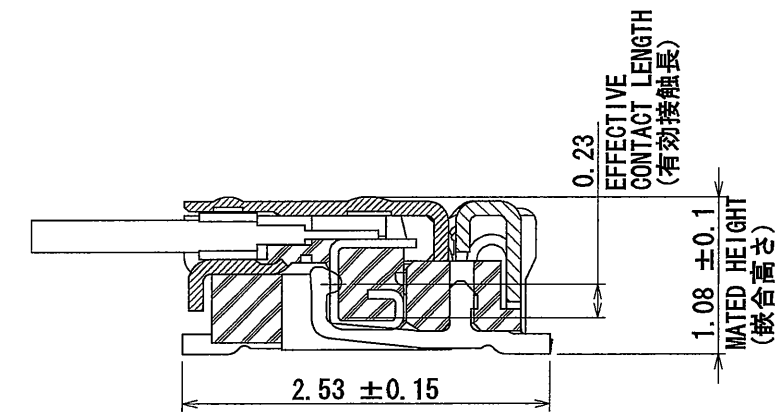
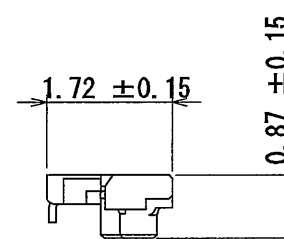
CABLE ASSEMBLED CONDITION (REF.)
ケーブル組込状態図 (参考)



COVER SHELL ASSEMBLED CONDITION (REF.)
カバーシェル組込状態図 (参考)



A-A
(20:1)



SECT. OF MATED CONDITION (REF.)
嵌合状態断面図 (参考)

REFERENCE ONLY
JAE

符号 NO.	名称 DESCRIPTION	個数 QTY.	材料 MATERIAL	仕上 FINISH	図番 DWG NO.
3	BASE SHELL ベースシェル	1	STAINLESS STEEL ステンレス	SELECTIVE GOLD (0.03 μm MIN) OVER NICKEL 部分NiAu (0.03 μm以上)	
2	CONTACT コンタクト	40	COPPER ALLOY 銅合金	GOLD (0.1 μm MIN) OVER NICKEL NiAu (0.1 μm以上)	
1	INSULATOR インシュレータ	1	HEAT RESISTING PLASTIC 耐熱性プラスチック		UL94 V-0 BLACK 黒

仕様書 (SPECIFICATION)		第1版 (ORIGINAL DATE) 16/JUL/2009	尺度 (SCALE) 10:1	シリーズ (SERIES) FI-JP	日本航空電子工業株式会社 JAE JAPAN AVIATION ELECTRONICS INDUSTRY, LTD.	図面番号 (DRAWING NO.) SJ109794	版数 (REV.) 1
一般公差 (GENERAL TOLERANCE)		製図 DR.	名称 (TITLE) FI-JP40C				
寸法 (DIMENSION)	角度 (ANGLES)	担当 CHK. K. KAI	質量 (MASS)				
. ±0.8	° ±	査閲 APPD. M. Hikuchi					
. × ±0.4	° × ±	承認 APPD. S. Nanao					
. × × ±0.1	° × × ±						
. × × × ±							

DCF-C-212F (05.08)

