



Chipsmall Limited consists of a professional team with an average of over 10 year of expertise in the distribution of electronic components. Based in Hongkong, we have already established firm and mutual-benefit business relationships with customers from,Europe,America and south Asia,supplying obsolete and hard-to-find components to meet their specific needs.

With the principle of “Quality Parts,Customers Priority,Honest Operation,and Considerate Service”,our business mainly focus on the distribution of electronic components. Line cards we deal with include Microchip,ALPS,ROHM,Xilinx,Pulse,ON,Everlight and Freescale. Main products comprise IC,Modules,Potentiometer,IC Socket,Relay,Connector.Our parts cover such applications as commercial,industrial, and automotives areas.

We are looking forward to setting up business relationship with you and hope to provide you with the best service and solution. Let us make a better world for our industry!



## Contact us

Tel: +86-755-8981 8866 Fax: +86-755-8427 6832

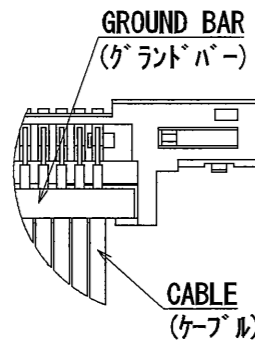
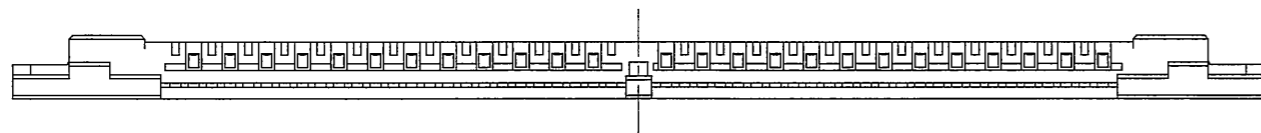
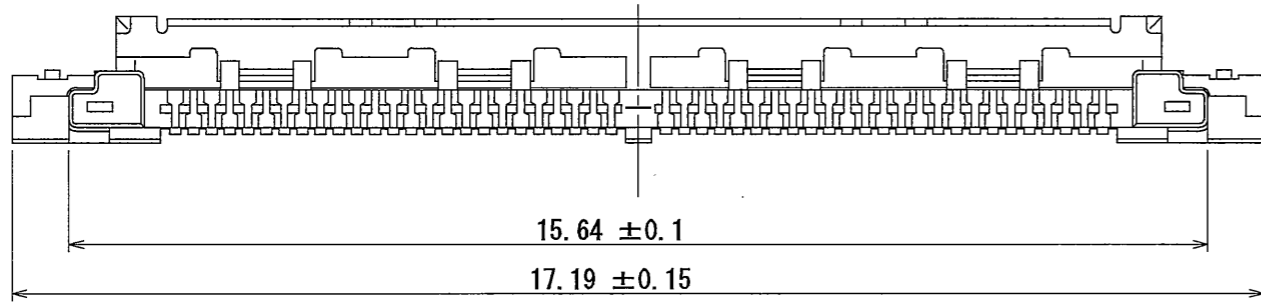
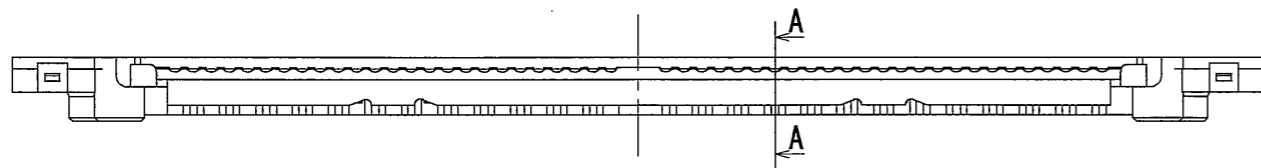
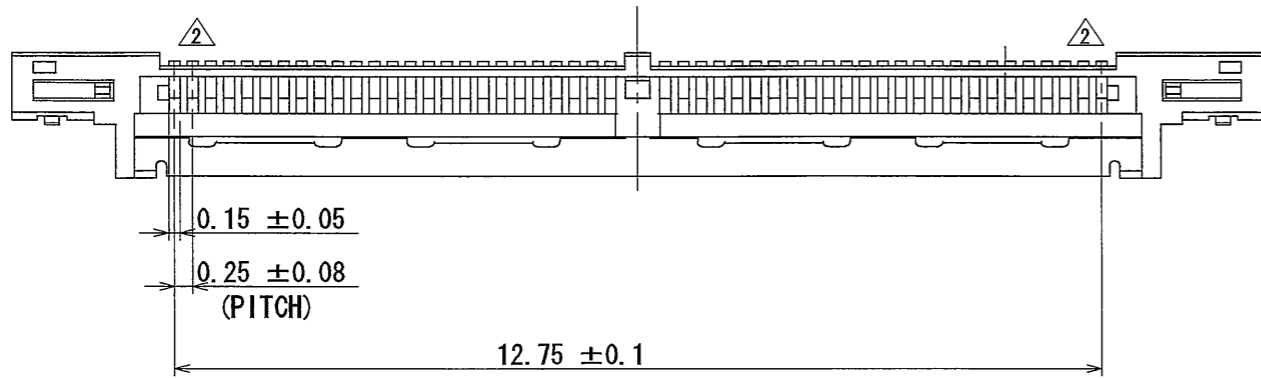
Email & Skype: info@chipsmall.com Web: www.chipsmall.com

Address: A1208, Overseas Decoration Building, #122 Zhenhua RD., Futian, Shenzhen, China

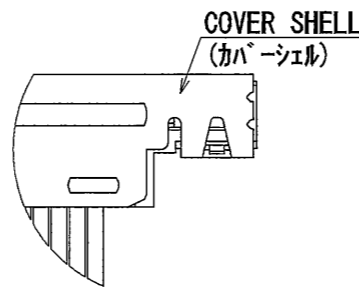


SJ109244  
(ON DRAWING) 台番図

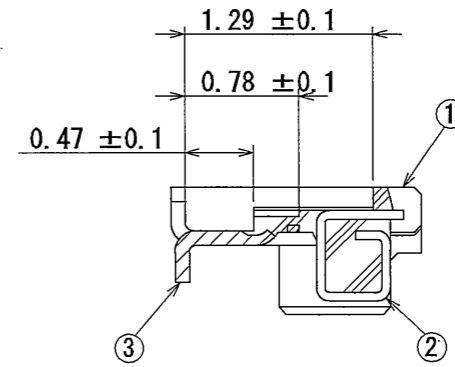
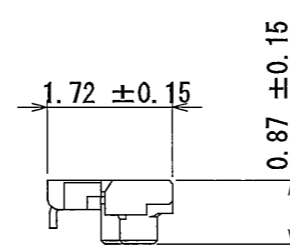
版数 REV.	年月日 DATE	DCN NO.	変更内容 DESCRIPTION	製図 DR.	担当 CHK.	査閲 APPD.	承認 APPD.
2	11/JUN/2010	070121	DELETED CONTACT TILT FORM コンタクト止め削除		K. KAI	—	Y. YAHIRO



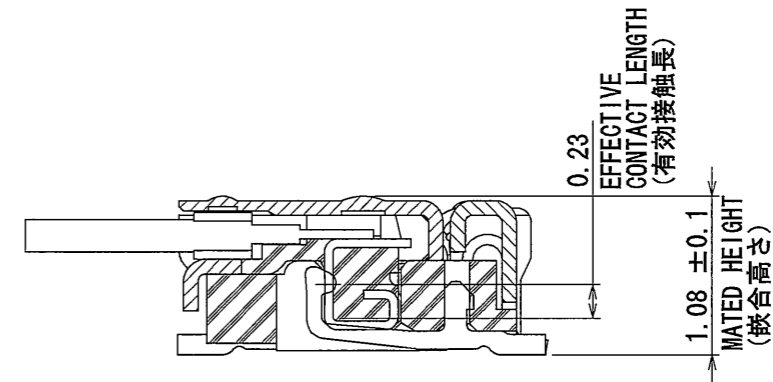
CABLE ASSEMBLED CONDITION (REF.)  
ケーブル組込状態図 (参考)



COVER SHELL ASSEMBLED CONDITION (REF.)  
カバーシェル組込状態図 (参考)



SECT. A-A  
SCALE 20:1



SECT. OF MATED CONDITION (REF.)  
嵌合状態断面図 (参考)

3	BASE SHELL ベースシェル	1	STAINLESS STEEL ステンレス	SELECTIVE GOLD (0.03 μm) OVER NICKEL 部分Ni上Au (0.03 μm以上)	
2	CONTACT コンタクト	50	COPPER ALLOY 銅合金	GOLD (0.1 μm) OVER NICKEL Ni上Au (0.1 μm以上)	
1	INSULATOR インシュレータ	1	HEAT RESISTING PLASTIC 耐熱性プラスチック		UL94 V-0 BLACK 黒
符号 NO.	名称 DESCRIPTION	個数 QTY.	材料 MATERIAL	仕上 FINISH	図番 DRG NO.
仕様書 (SPECIFICATION)		第1版 (ORIGINAL DATE) 13/MAR/2009		尺度 (SCALE) 10:1	シリーズ (SERIES) FI
一般公差 (GENERAL TOLERANCE)		製図 DR.		名称 (TITLE) FI-JP50C	
寸法 (DIMENSION)		担当 CHK. K. KAI		日本航空電子工業株式会社 JAPAN AVIATION ELECTRONICS INDUSTRY, LTD.	
角度 (ANGLES)		査閲 APPD. M. KIKUCHI		図面番号 (DRAWING NO.) SJ109244	
. ± 0.8		承認 APPD. Y. YAHIRO		質量 (MASS)	
. × ± 0.4				S/W	
. × × ± 0.1				版数 (REV.) 2	
. × × × ±					

DCF-C-212F (05.08)

