



Chipsmall Limited consists of a professional team with an average of over 10 year of expertise in the distribution of electronic components. Based in Hongkong, we have already established firm and mutual-benefit business relationships with customers from,Europe,America and south Asia,supplying obsolete and hard-to-find components to meet their specific needs.

With the principle of “Quality Parts,Customers Priority,Honest Operation,and Considerate Service”,our business mainly focus on the distribution of electronic components. Line cards we deal with include Microchip,ALPS,ROHM,Xilinx,Pulse,ON,Everlight and Freescale. Main products comprise IC,Modules,Potentiometer,IC Socket,Relay,Connector.Our parts cover such applications as commercial,industrial, and automotives areas.

We are looking forward to setting up business relationship with you and hope to provide you with the best service and solution. Let us make a better world for our industry!



Contact us

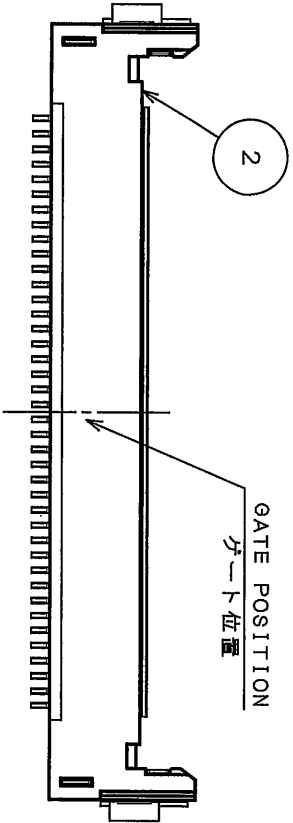
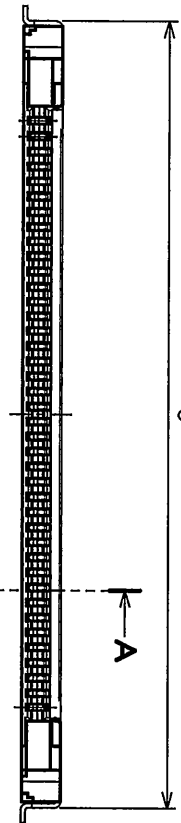
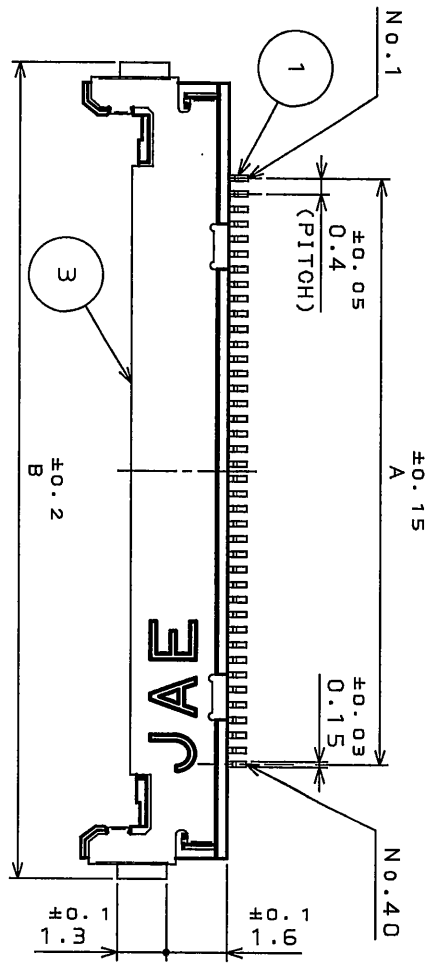
Tel: +86-755-8981 8866 Fax: +86-755-8427 6832

Email & Skype: info@chipsmall.com Web: www.chipsmall.com

Address: A1208, Overseas Decoration Building, #122 Zhenhua RD., Futian, Shenzhen, China



1187010S
(CON 9N1W4RD)号裏面図



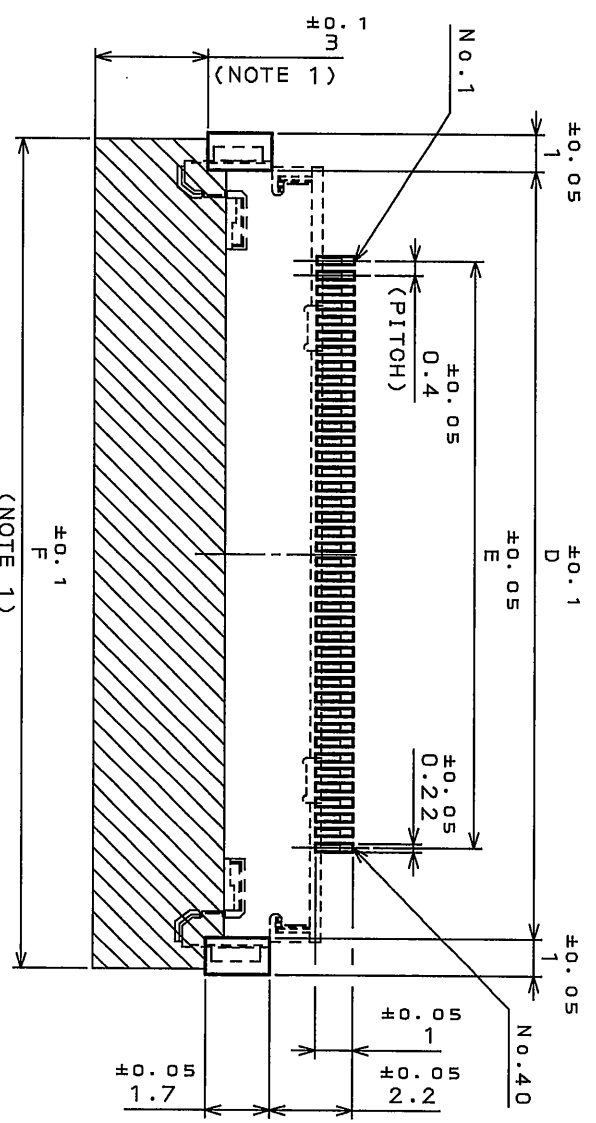
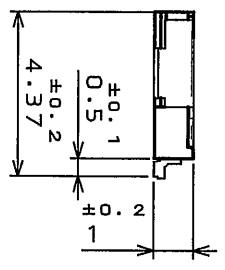
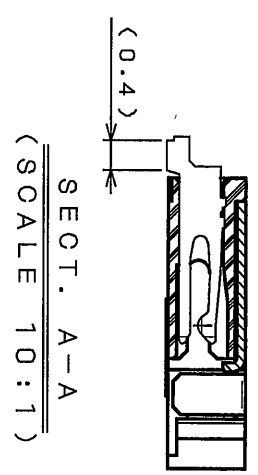
Pin NO.	A	B	C	D	E	F
40	15.6	21.7	20.9	20.4	15.6	22.1

NOTE 1. THIS AREA IS GROUND-PATTERN ONLY.
 2. COPLANARITY BETWEEN TERMINAL AND HOLD DOWN SHOULD BE 0.1mm MAX.
 3. PRODUCT NAME IS MARKED AS SHOWN IN BELOW FIGURE MARKING.

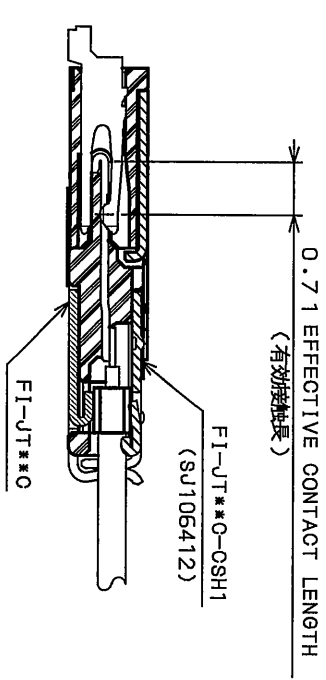
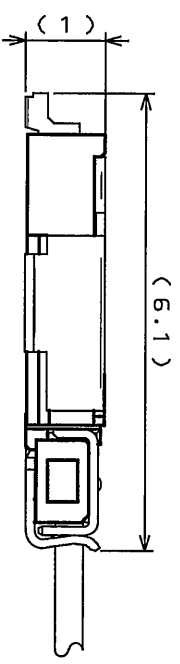
注 1.この範囲は、プラグコネクタのシェルが接触する為、ソケット及びスルーホール不可とする。
 但し、ソケットは可とする。
 2.端子および、ホールプラグの相互のバラツキは0.1mm以内とする。
 3.製品名の表記方法は下記による。

FI-JT**S-HF10
 PRODUCT NAME
 製品名
 NO OF CONTACTS
 芯数

HIGHT
 高さ
 HORIZONTAL INSERTION
 水平差し
 O:PLUG S:RECEPTACLE
 O:プラグ S:レセプタクル



APPLICABLE P.C.B. DIMENSION(REF.)
 適合基板寸法(参考)



MATED CONDITION(REF.)
 嵌合状態(参考)

SECT.OF MATED CONDITION(REF.)
 嵌合状態断面図(参考)

3	COVER SHELL カバーシェル	1	STAINLESS STEEL ステンレス	CONTACT AREA:GOLD(0.03μMIN)OVER NICKEL 接触部:ニッケル(0.03μm以上)上金	COLOR:BLACK 色相:黒
2	INSULATOR インシュレータ	1	HAET RESISTING PLASTIC 耐熱性樹脂		
1	CONTACT コンタクト	* 個数	COPPER ALLOY 銅合金	CONTACT AREA:GOLD(0.1μMIN)OVER NICKEL 接触部:ニッケル(0.1μm以上)上金	TERMINAL AREA: GOLD(0.03μMIN)OVER NICKEL

仕様書(SPECIFICATION)
 第1版(ORIGINAL DATE)
 20.Aug.2007

製造(GENERAL TOLERANCE)
 寸法(DIMENSION)
 角度(ANGLES)

製造 DR. 担当 DR.
 検査 CHK. 承認 CHK.
 承認 APPD. 承認 APPD.

名称(TITLE)
 FI-JT**S-HF10
 (PCB SIDE)
 質量(MASS)

日本航空電子工業株式会社
 JAPAN AVIATION
 ELECTRONICS
 INDUSTRY LTD.
 図面番号(DRAWING NO.)
 SJ107810

2007. 10. 01 / 18: 36: 29 / 024573

版数 REV.	年月日 DATE	DCN NO.	変更内容 DESCRIPTION	製図 DR.	担当 CHK.	承認 APPD.	承認 APPD.
2	26.Sep.2007	064025	追加追加		M.KIKUCHI		K.Hiratsuka

WISDOM承認