



Chipsmall Limited consists of a professional team with an average of over 10 year of expertise in the distribution of electronic components. Based in Hongkong, we have already established firm and mutual-benefit business relationships with customers from,Europe,America and south Asia,supplying obsolete and hard-to-find components to meet their specific needs.

With the principle of “Quality Parts,Customers Priority,Honest Operation,and Considerate Service”,our business mainly focus on the distribution of electronic components. Line cards we deal with include Microchip,ALPS,ROHM,Xilinx,Pulse,ON,Everlight and Freescale. Main products comprise IC,Modules,Potentiometer,IC Socket,Relay,Connector.Our parts cover such applications as commercial,industrial, and automotives areas.

We are looking forward to setting up business relationship with you and hope to provide you with the best service and solution. Let us make a better world for our industry!



Contact us

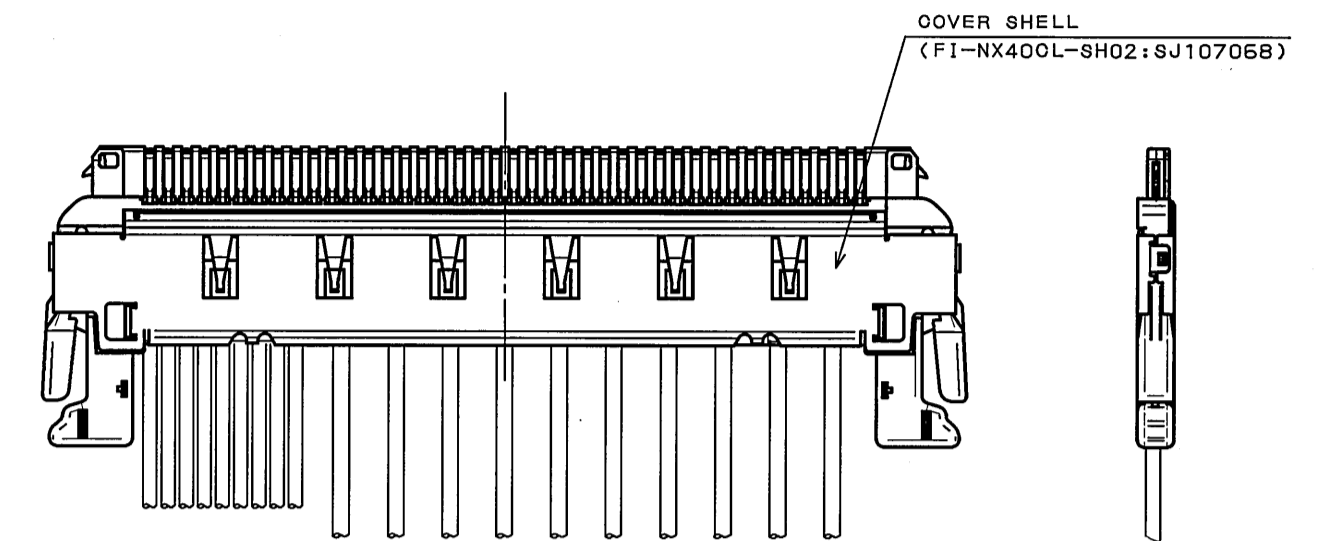
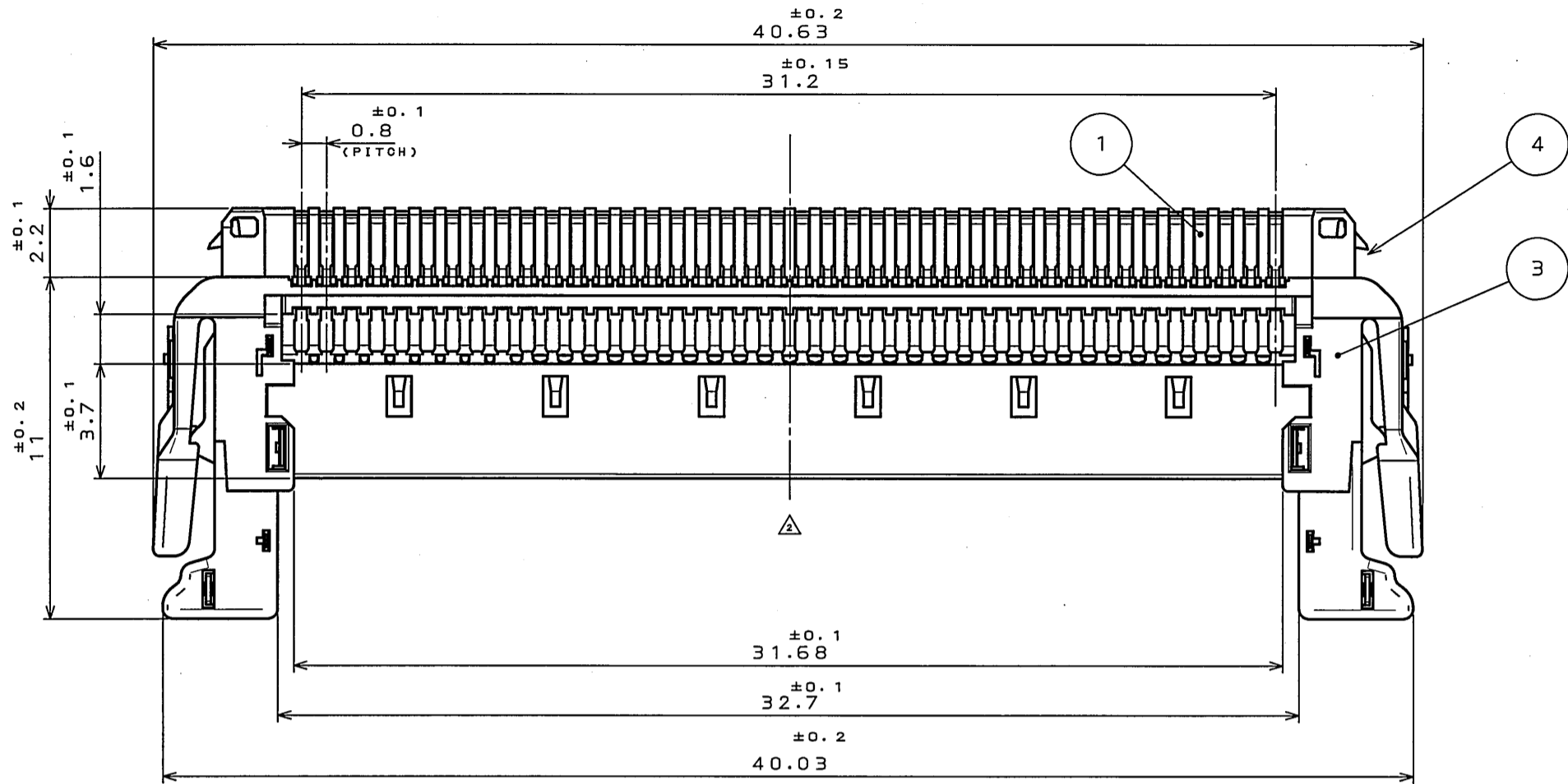
Tel: +86-755-8981 8866 Fax: +86-755-8427 6832

Email & Skype: info@chipsmall.com Web: www.chipsmall.com

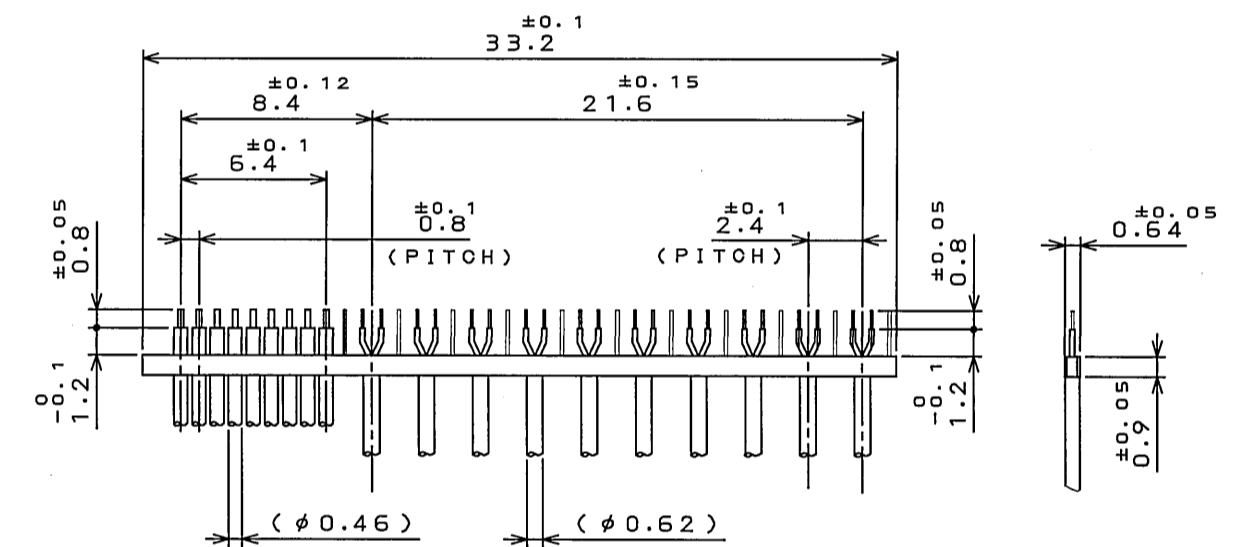
Address: A1208, Overseas Decoration Building, #122 Zhenhua RD., Futian, Shenzhen, China



| 版数 REV. | 年月日 DATE | 図番 DGN NO. | 変更内容 DESCRIPTION | 製図 DR. | 担当 CHK. | 査閲 APP. | 承認 APP. |
|------------|-------------|---------------|---------------------|-----------|------------|------------|------------|
| 2 | 12.00.2006 | 061474 | REVISED FORM ETC. | | T.SHIODA | M.SUZUKI | K.HISATOMI |

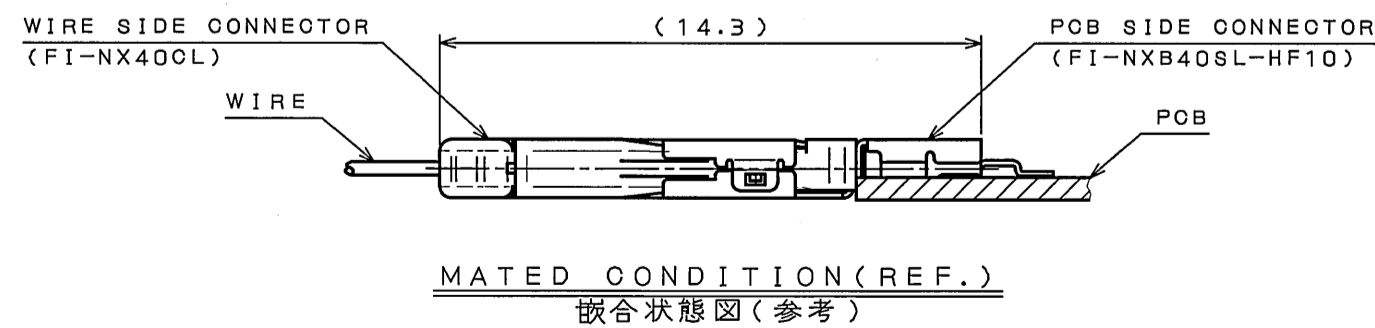
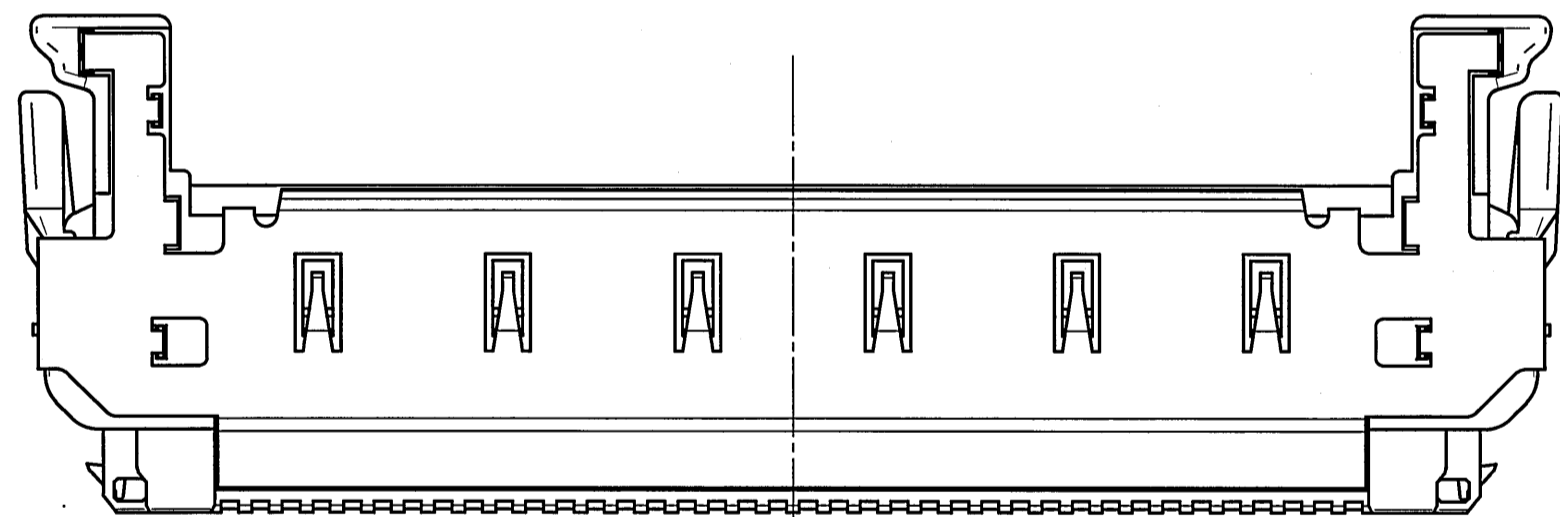


CABLE ASSEMBLED CONDITION (REF.)
ケーブル 嵌合状態図 (参考)



COAXIAL (AWG#32) PARALEL COAXIAL (AWG#40)
AFTER WIRE SOLDERING, CLEAN FLUX.

APPLICABLE WIRE DIMENSIONS (REF.)
適用ワイヤ加工寸法 (参考)



| 仕番 NO. | 名称 DESCRIPTION | 個数 QTY. | 材料 MATERIAL | 仕上 FINISH | 備考 REMARKS |
|-----------|-------------------|------------|------------------------|------------------------------|-----------------------------------|
| 4 | LOCK SPRING | 2 | STAINLESS STEEL | | |
| 3 | INSULATOR | 1 | HEAT RESISTING PLASTIC | | UL94 V-0 BLACK |
| 2 | GROUND PLATE | 1 | STAINLESS STEEL | TIN PLATING | |
| 1 | CONTACT | 40 | COPPER ALLOY | GOLD (0.1μm MIN) OVER NICKEL | TERMINAL AREA: TIN OVER NICKEL |

| | | | | | |
|--|------------------------------------|-------------------------------------|----------------------|--|---|
| 仕様書 (SPECIFICATION) JAOS-10393 JAH-10393 | 第1版 (ORIGINAL DATE) 23.AUG.2006 | 尺度 (SCALE) シリーズ (SERIES) FI-N | 製図 DR. T.SHIODA | 名称 (TITLE) FI-NX40CL (WIRE SIDE SOLDERING TYPE) | 日本航空電子工業株式会社 JAPAN AVIATION ELECTRONICS INDUSTRY, LTD. |
| 公差 (GENERAL TOLERANCE) 寸法 (DIMENSION) 角度 (ANGLES) | 製図 DR. T.SHIODA | 担当 CHK. M.SUZUKI | 査閲 APPD. H.SAITOU | 質量 (MASS) | 図面番号 (DRAWING NO.) SJ107068 |

DOF-0-213F(05.08)



LEAD FREE この製品は鉛フリーです

SIZE A2
版数 (REV.) 2