



Chipsmall Limited consists of a professional team with an average of over 10 year of expertise in the distribution of electronic components. Based in Hongkong, we have already established firm and mutual-benefit business relationships with customers from,Europe,America and south Asia,supplying obsolete and hard-to-find components to meet their specific needs.

With the principle of “Quality Parts,Customers Priority,Honest Operation,and Considerate Service”,our business mainly focus on the distribution of electronic components. Line cards we deal with include Microchip,ALPS,ROHM,Xilinx,Pulse,ON,Everlight and Freescale. Main products comprise IC,Modules,Potentiometer,IC Socket,Relay,Connector.Our parts cover such applications as commercial,industrial, and automotives areas.

We are looking forward to setting up business relationship with you and hope to provide you with the best service and solution. Let us make a better world for our industry!



Contact us

Tel: +86-755-8981 8866 Fax: +86-755-8427 6832

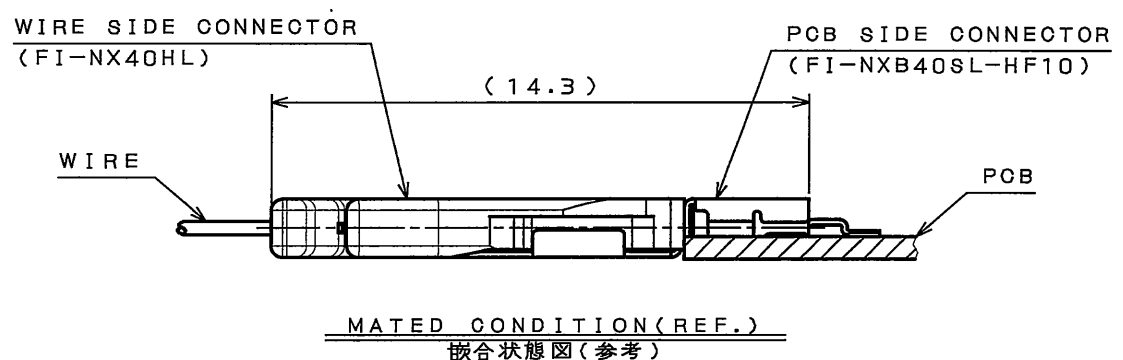
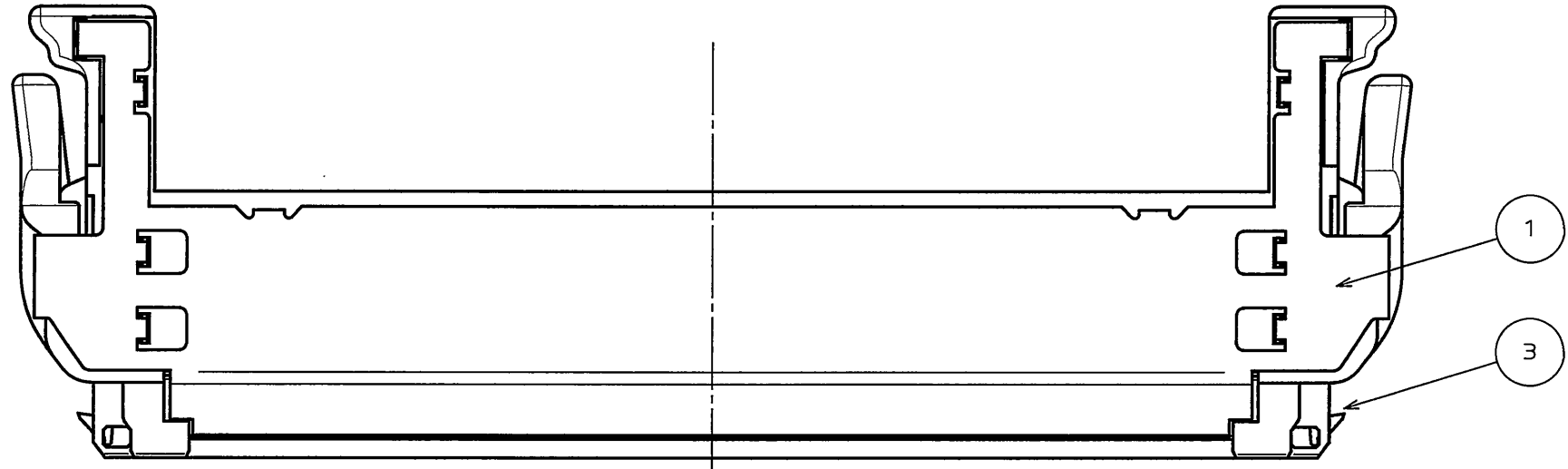
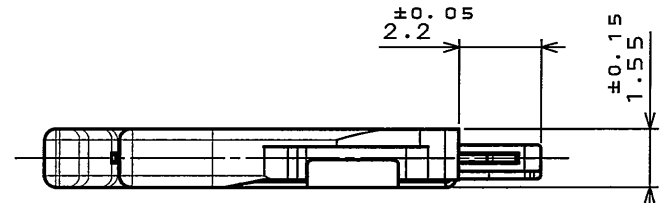
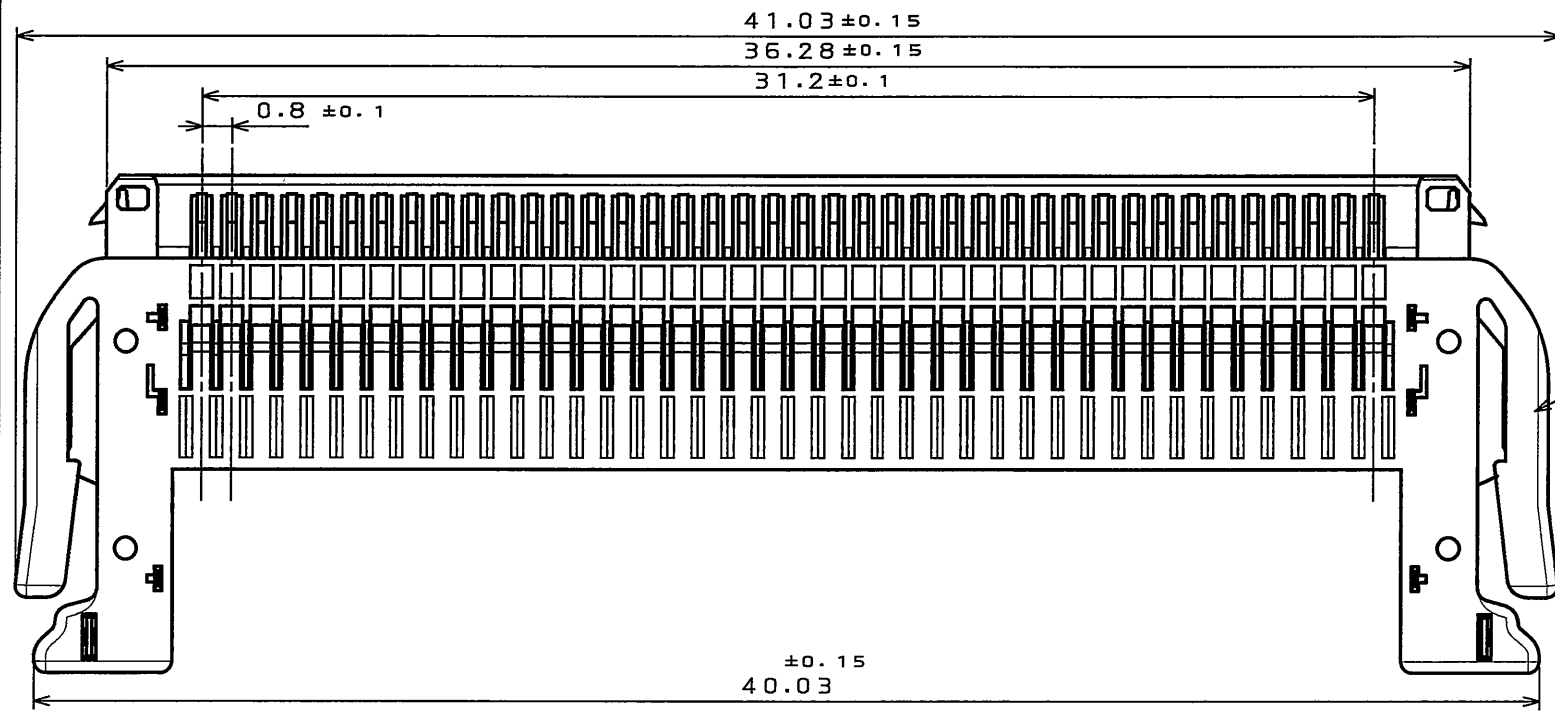
Email & Skype: info@chipsmall.com Web: www.chipsmall.com

Address: A1208, Overseas Decoration Building, #122 Zhenhua RD., Futian, Shenzhen, China



0ZEZ0LPS
(ON ANIMATED) 台架理図

版数 REV.	年月日 DATE	DCN NO.	変更内容 DESCRIPTION	製図 DR.	担当 CHK.	査閲 APPD.	承認 APPD.

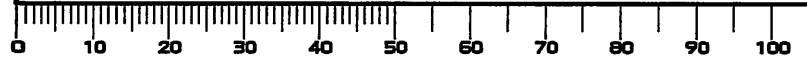


NOTE1. APPLICABLE CONTACT: FI-NXC3-1-15000(SJ107371)

注1. 適合コンタクトは下記コンタクトを使用して下さい。
FI-NXC3-1-15000(SJ107371)

3	LOCK SPRING	2	STAINLESS STEEL		
2	INSULATOR	1	HEAT RESISTING PLASTIC		UL94 V-0 BLACK
1	GROUND PLATE	1	STAINLESS STEEL	TIN PLATING	
符号 NO.	名称 DESCRIPTION	個数 QTY.	材 料 MATERIAL	仕 上 FINISH	備 考 REMARKS
仕様書(SPECIFICATION) JACS-10393-2 J AHL-10393-2		第1版(ORIGINAL DATE) 1.Jun.2007		尺 度(SCALE) 5:1	シリーズ(SERIES) FI-NX
一般公差(GENERAL TOLERANCE)		製図 DR.		名 称(TITLE)	
寸法(DIMENSION)		担 当 CHK. T.SHIODA		FI-NX40HL (WIRE SIDE CRIMP TYPE)	
角 度(ANGLES)		査 閲 APPD. M. Suzuki		日本航空電子工業株式会社 JAPAN AVIATION ELECTRONICS INDUSTRY, LTD.	
. ±		承認 APPD. K-Hisatomu			
.X ±				図面番号(DRAWING NO.)	
.XX ±				SJ107370	
.XXX ±				質量(MASS)	

DOF-0-212F(05.08)



E
A
S
I
Z
E
1