



Chipsmall Limited consists of a professional team with an average of over 10 year of expertise in the distribution of electronic components. Based in Hongkong, we have already established firm and mutual-benefit business relationships with customers from,Europe,America and south Asia,supplying obsolete and hard-to-find components to meet their specific needs.

With the principle of "Quality Parts,Customers Priority,Honest Operation,and Considerate Service",our business mainly focus on the distribution of electronic components. Line cards we deal with include Microchip,ALPS,ROHM,Xilinx,Pulse,ON,Everlight and Freescale. Main products comprise IC,Modules,Potentiometer,IC Socket,Relay,Connector.Our parts cover such applications as commercial,industrial, and automotives areas.

We are looking forward to setting up business relationship with you and hope to provide you with the best service and solution. Let us make a better world for our industry!



## Contact us

Tel: +86-755-8981 8866 Fax: +86-755-8427 6832

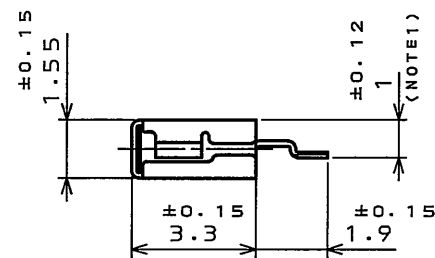
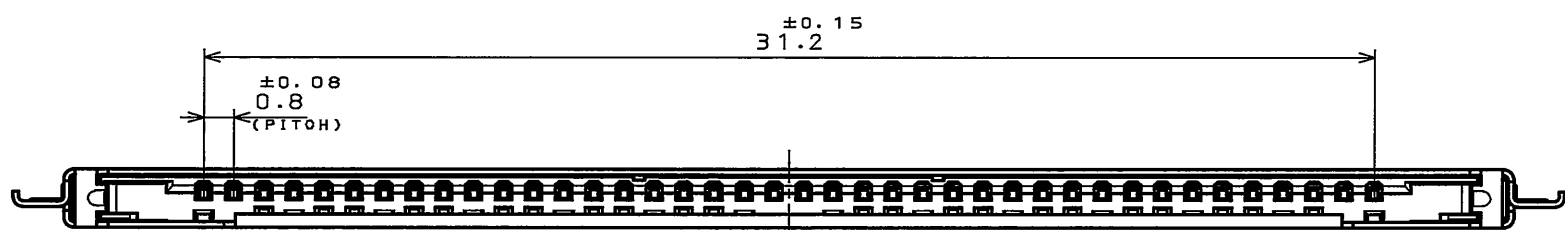
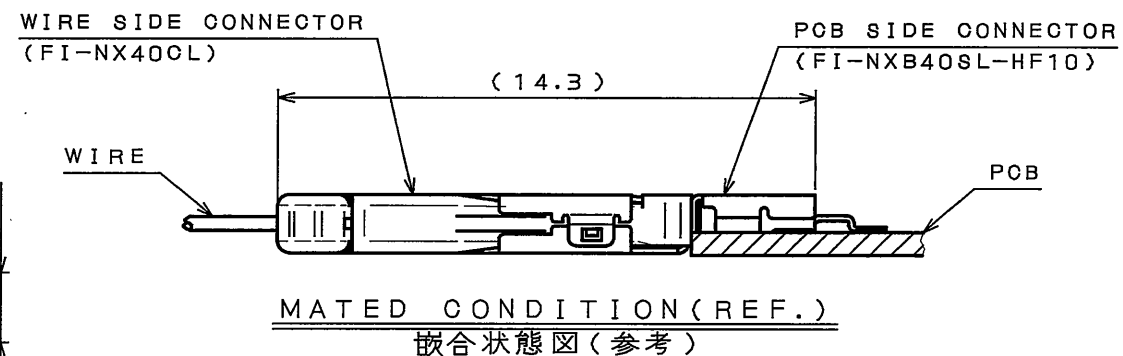
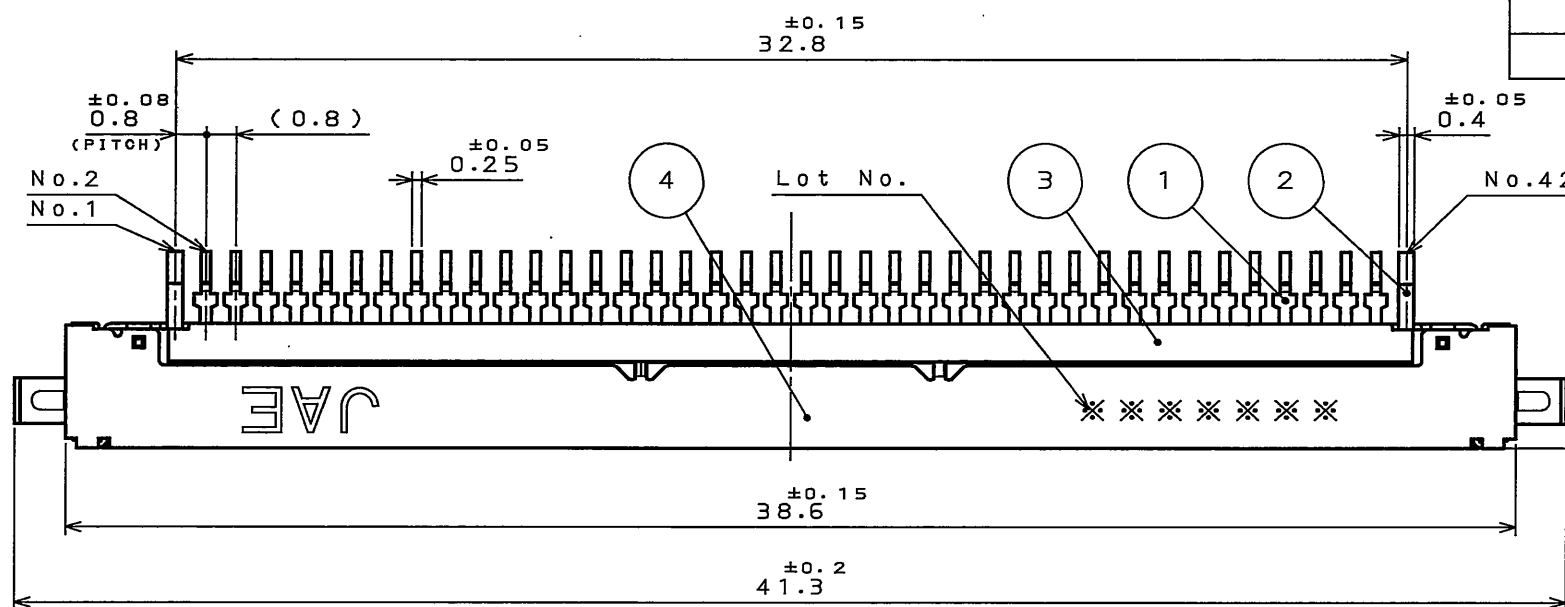
Email & Skype: info@chipsmall.com Web: www.chipsmall.com

Address: A1208, Overseas Decoration Building, #122 Zhenhua RD., Futian, Shenzhen, China



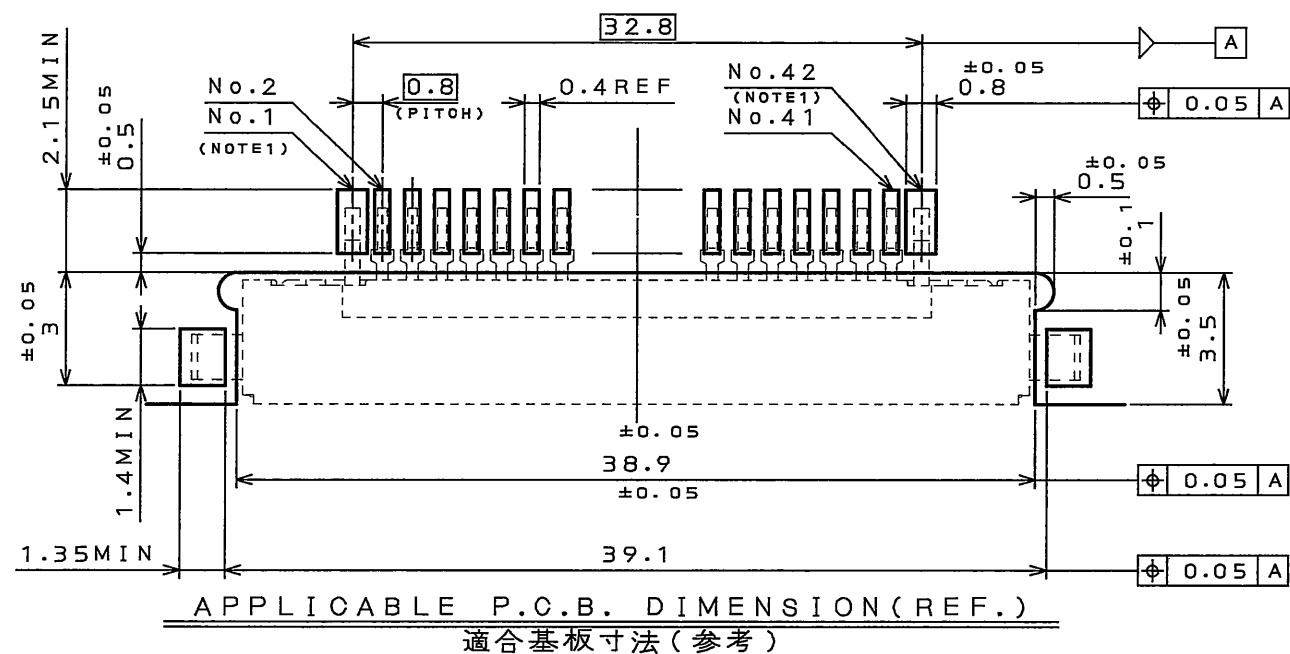
990701RS  
( 'ON ΘIMVHD ) 台裏図

版数 REV.	年月日 DATE	DCN NO.	変更内容 DESCRIPTION	製図 DR.	担当 CHK.	査閲 APPD.	承認 APPD.



NOTE1. COPLANARITY BETWEEN TERMINAL AND HOLD DOWN OF SHELL SHOULD BE 0.1mm MAX.  
2. TERMINALS NO.1 AND NO.42 ARE APPROPRIATE FOR GROUND CONTACTS.

注1. 端子及び、シエルのホールドダウンの相互のバラツキは0.1以内である。  
2. 端子No. 1及び42はグランド専用コンタクトとする。

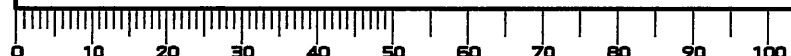


APPLICABLE P.C.B. DIMENSION (REF.)  
適合基板寸法(参考)

符号 NO.	名称 DESCRIPTION	個数 QTY.	材料 MATERIAL	仕上 FINISH	備考 REMARKS
4	SHELL	1	STAINLESS STEEL	TIN PLATING	
3	INSULATOR	1	HEAT RESISTING PLASTIC		UL94 V-0 BEIGE
2	GROUND PLATE	1	COPPER ALLOY	TIN PLATING	
1	CONTACT	40	COPPER ALLOY	CONTACT AREA: GOLD(0.1μmMIN)OVER NICKEL	TERMINAL AREA: TIN OVER NICKEL

仕様書 (SPECIFICATION)	第1版 (ORIGINAL DATE) 23.Aug.2006	尺度 (SCALE) 5:1	シリーズ (SERIES) FI-N	日本航空電子工業株式会社 JAPAN AVIATION ELECTRONICS INDUSTRY, LTD. 
製図 DR.	製図 DR.	名称 (TITLE) FI-NXB40SL-HF10 (PCB SIDE)		
公差 (GENERAL TOLERANCE)	担当 CHK. T.SHIODA	質量 (MASS)		
寸法 (DIMENSION) 角度 (ANGLES)	査閲 APPD. m. Suzuki 承認 APPD. H. Amemija	図面番号 (DRAWING NO.) SJ107066		

DOF-0-212F(05.08)



LEAD FREE この製品は鉛フリー品です

JAE CONNECTOR DIV. PROPRIETARY.  
COPYRIGHT (C) 2006. JAPAN AVIATION ELECTRONICS INDUSTRY, LTD.