



Chipsmall Limited consists of a professional team with an average of over 10 year of expertise in the distribution of electronic components. Based in Hongkong, we have already established firm and mutual-benefit business relationships with customers from,Europe,America and south Asia,supplying obsolete and hard-to-find components to meet their specific needs.

With the principle of "Quality Parts,Customers Priority,Honest Operation,and Considerate Service",our business mainly focus on the distribution of electronic components. Line cards we deal with include Microchip,ALPS,ROHM,Xilinx,Pulse,ON,Everlight and Freescale. Main products comprise IC,Modules,Potentiometer,IC Socket,Relay,Connector.Our parts cover such applications as commercial,industrial, and automotives areas.

We are looking forward to setting up business relationship with you and hope to provide you with the best service and solution. Let us make a better world for our industry!



Contact us

Tel: +86-755-8981 8866 Fax: +86-755-8427 6832

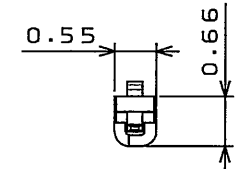
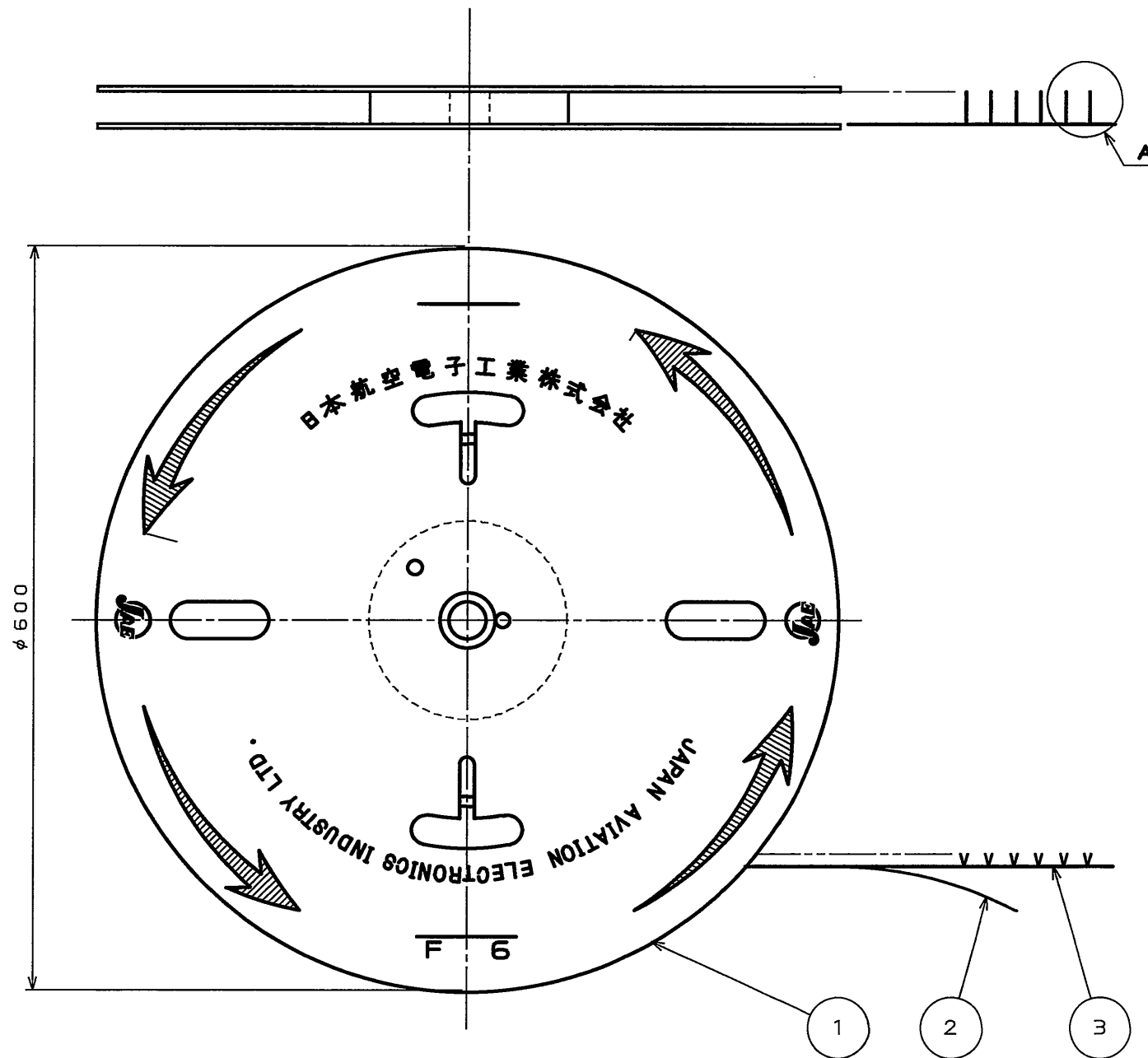
Email & Skype: info@chipsmall.com Web: www.chipsmall.com

Address: A1208, Overseas Decoration Building, #122 Zhenhua RD., Futian, Shenzhen, China

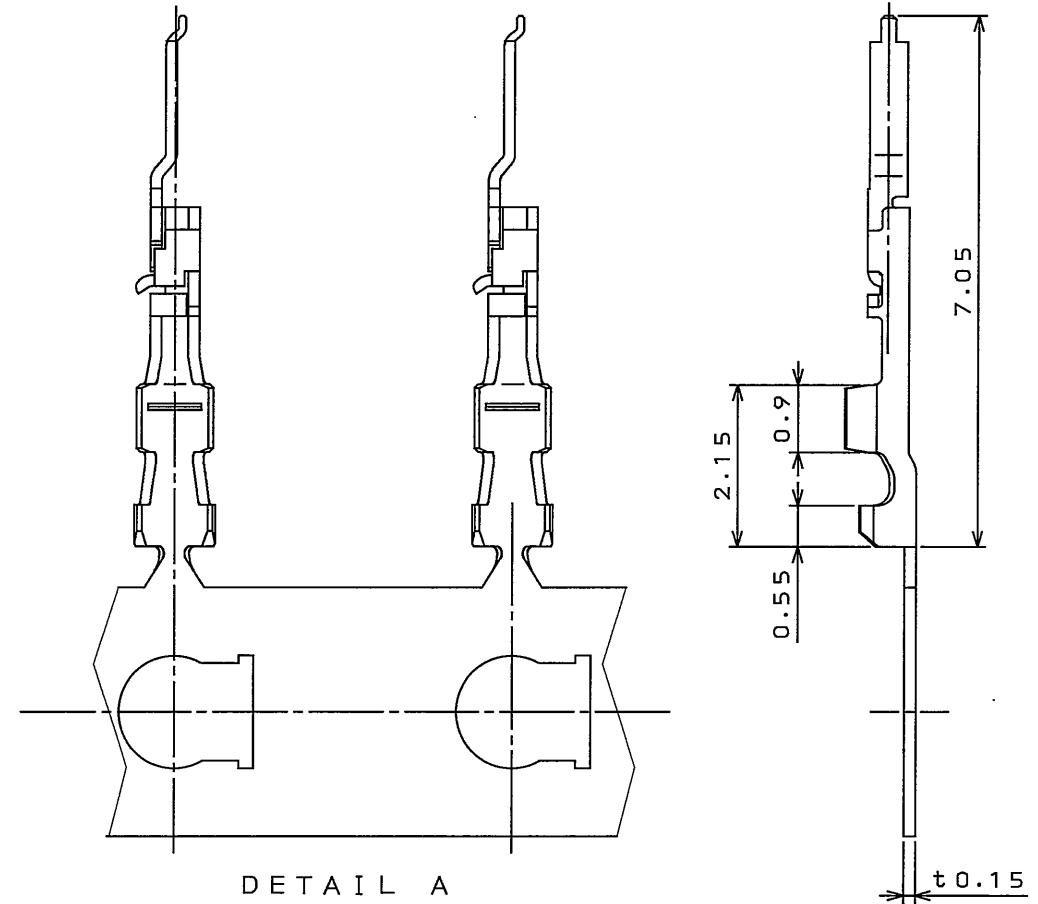


LZEZ01PS
(ON 0NIMVAD) 品番図

版数 REV.	年月日 DATE	DCN NO.	変更内容 DESCRIPTION	製図 DR.	担当 CHK.	査閲 APPD.	承認 APPD.



EXCLUDING CRIMP POT
クリンプポット部は除く



NOTE1. APPLICABLE WIRE: #30~#36 AWG. STANDERD.
2. INSULATION OUTER DIA. $\phi 0.45 \sim \phi 0.5\text{mm}$
3. USE THE APPLICATOR MADE BY JAE.

注1. 使用電線は、AWG#30~#36の撚線とする。
2. 被覆外径は $\phi 0.45 \sim 0.5\text{mm}$ とする。
3. アプリケータはJAEオリジナルを使用とする。

3	CONTACT	15000	COPPER ALLOY	CONTACT AREA : GOLD(0.1 μm MIN) OVER NICKEL	CRIMP AREA: TIN PLATING
2	PAPER TAPE	1	PAPER		
1	MAGAZINE	1	PAPER		
符号 NO.	名称 DESCRIPTION	個数 QTY.	材料 MATERIAL	仕上 FINISH	備考 REMARKS
仕様書(SPECIFICATION)	JACS-10393-2 JABL-10393-2	第1版(ORIGINAL DATE)	1.Jun.2007	尺度(SCALE)	シリーズ(SERIES) FI-NX
一般公差(GENERAL TOLERANCE)		製図 DR.		名称(TITLE)	日本航空電子工業株式会社 JAPAN AVIATION ELECTRONICS INDUSTRY, LTD.
寸法(DIMENSION)	角度(ANGLES)	担当 CHK.	T.SHIODA	FI-NXC3-1-15000 MAGAZINE ASSEMBLY	図面番号(DRAWING NO.) SJ107371
. \pm	$\times^\circ \pm$	査閲 APPD.	M. Suzuki		
.X \pm	$\times^\circ X \pm$	承認 APPD.	K. Hironaka		
.XX \pm		質量(MASS)			
.XXX \pm					