



Chipsmall Limited consists of a professional team with an average of over 10 year of expertise in the distribution of electronic components. Based in Hongkong, we have already established firm and mutual-benefit business relationships with customers from,Europe,America and south Asia,supplying obsolete and hard-to-find components to meet their specific needs.

With the principle of “Quality Parts,Customers Priority,Honest Operation,and Considerate Service”,our business mainly focus on the distribution of electronic components. Line cards we deal with include Microchip,ALPS,ROHM,Xilinx,Pulse,ON,Everlight and Freescale. Main products comprise IC,Modules,Potentiometer,IC Socket,Relay,Connector.Our parts cover such applications as commercial,industrial, and automotives areas.

We are looking forward to setting up business relationship with you and hope to provide you with the best service and solution. Let us make a better world for our industry!



Contact us

Tel: +86-755-8981 8866 Fax: +86-755-8427 6832

Email & Skype: info@chipsmall.com Web: www.chipsmall.com

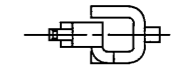
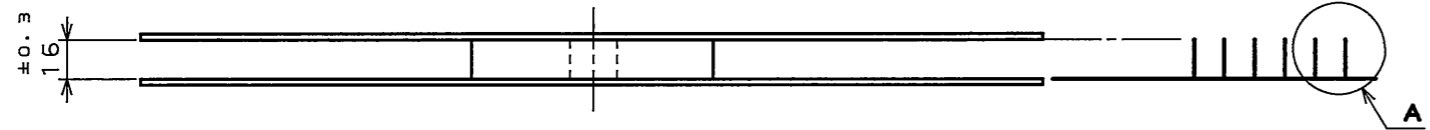
Address: A1208, Overseas Decoration Building, #122 Zhenhua RD., Futian, Shenzhen, China



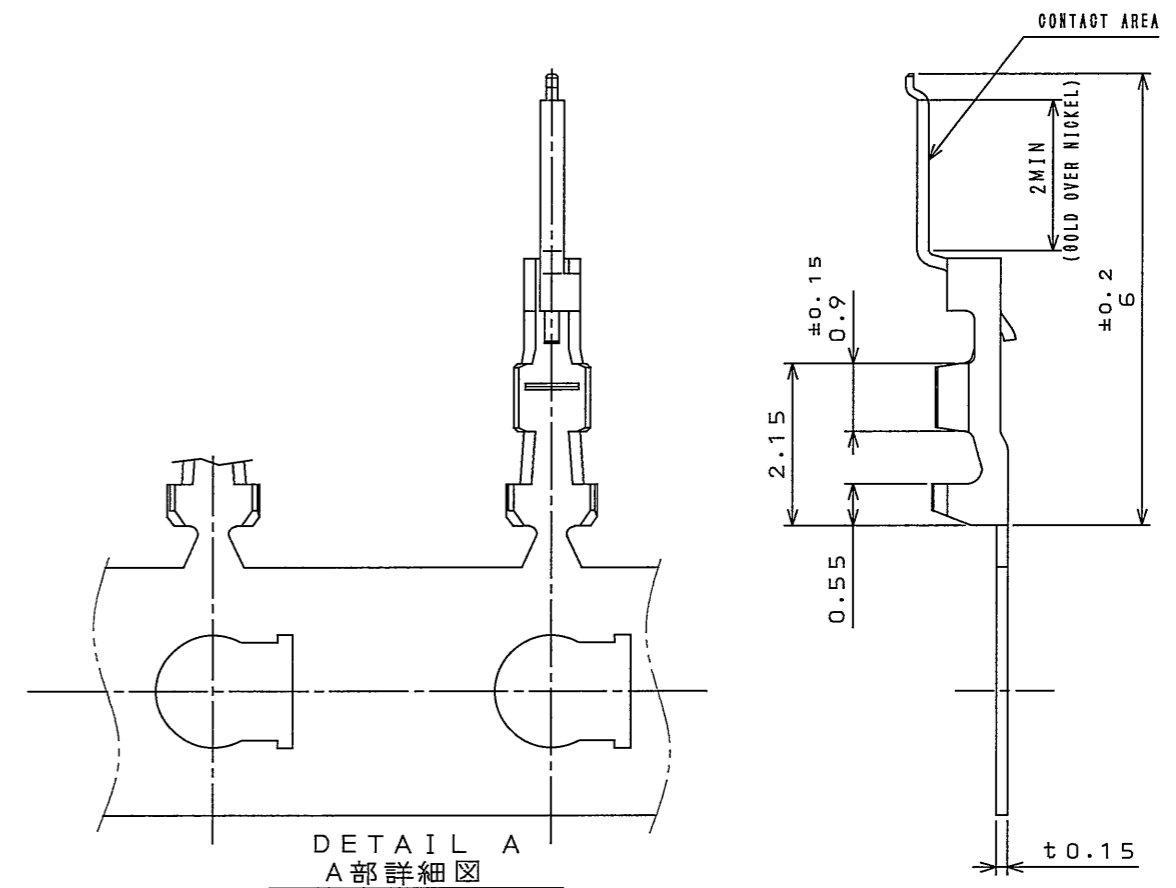
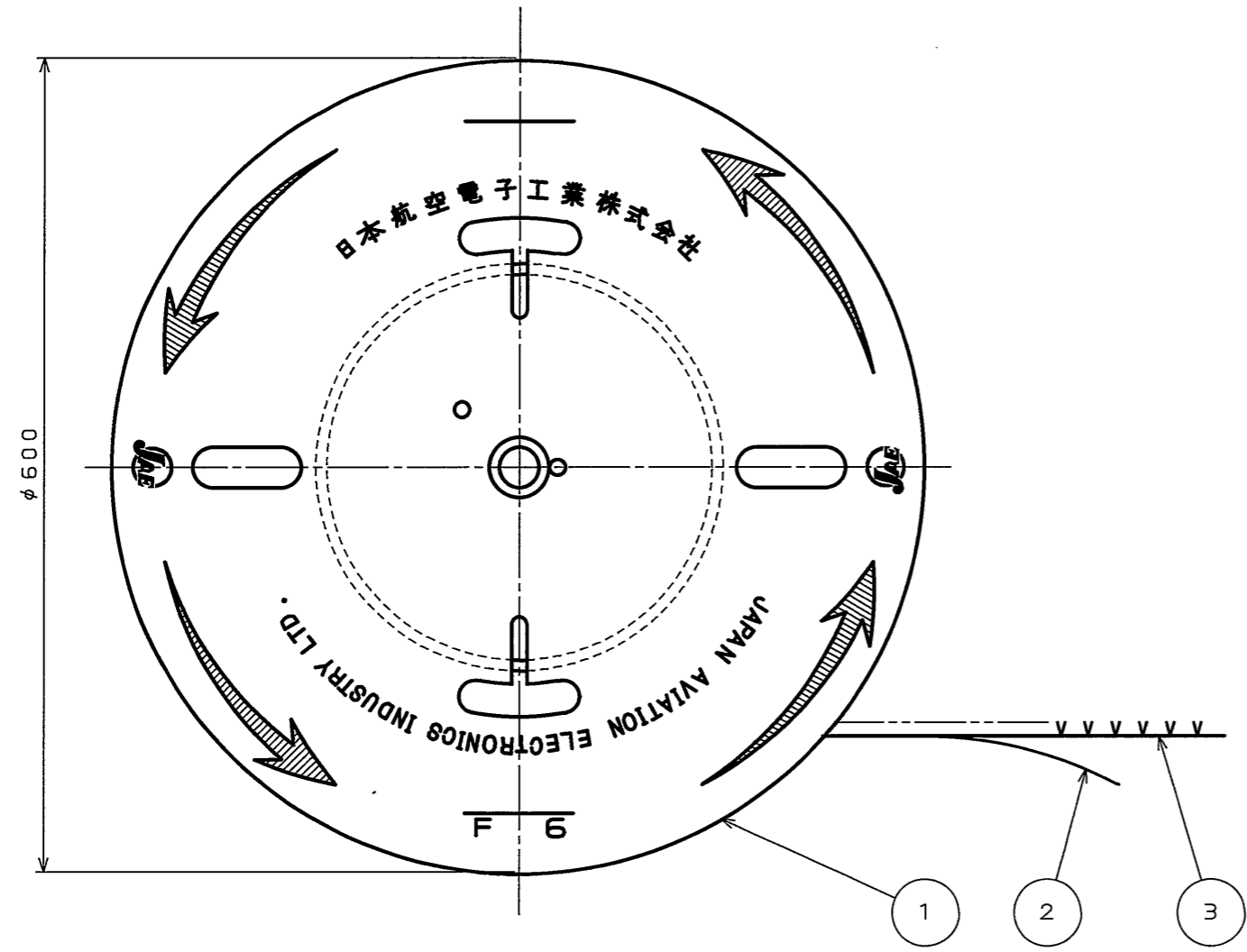
090E01RS

(DRAWING NO.) 090E01RS

版数 REV.	年月日 DATE	DCN NO.	変更内容 DESCRIPTION	製図 DR.	担当 CHK.	査閲 APPD.	承認 APPD.



EXCLUDING CRIMP POT
クリンプポット部は除く



DETAIL A
A部詳細図
(SCALE 10:1)
(尺度 10:1)

- NOTE 1. APPLICABLE WIRE: #30~#36 AWG. STANDERD.
 2. INSULATION OUTER DIA. φ0.75~0.27mm
 3. USE THE APPLICATOR MADE BY JAE.
- 注 1. 使用電線は、AWG#30~#36の燃線とする。
 2. 被覆外径はφ0.75~0.27mmとする。
 3. アプリケータはJAEオリジナルを使用とする。

3	CONTACT コンタクト	15000	PHOSPHOR BRONZE リン青銅	CONTACT AREA :GOLD(0.1μm MIN) OVER NICKEL NI上Auメッキ(0.1μm以上)	CRIMP AREA:TIN PLATING Snメッキ
2	PAPER TAPE 紙リール	1	PAPER	—	—
1	MAGAZINE マガジン	1	PAPER	—	—
符号 NO.	名称 DESCRIPTION	個数 QTY.	材 料 MATERIAL	仕 上 FINISH	備 考 REMARKS
仕様書 (SPECIFICATION)		第1版 (ORIGINAL DATE) 14.Mar.2005		尺 度 (SCALE)	シ リ ー ズ (SERIES) FI-R
公差 (GENERAL TOLERANCE)		製 図 DR.		名 称 (TITLE)	
寸法 (DIMENSION)		担 当 CHK. 査 閲 APPD.		FI-RC3-1A-1E -15000 MAGAZINE ASSEMBLY	
角度 (ANGLES)		承 認 APPD.		日 本 航 空 電 子 工 業 株 式 有 限 公 司 JAPAN AVIATION ELECTRONICS INDUSTRY, LTD.	
· ±0.8	° ±	K.HISAMATSU		図面番号 (DRAWING NO.) SJ103060	
·X ±0.4	°X ±	M. Suzuki		版数 (REV.) 1	
·XX ±0.1		K. Hisatomi			
·XXX ±					

DOF-0-212E(03.08)

