



Chipsmall Limited consists of a professional team with an average of over 10 year of expertise in the distribution of electronic components. Based in Hongkong, we have already established firm and mutual-benefit business relationships with customers from,Europe,America and south Asia,supplying obsolete and hard-to-find components to meet their specific needs.

With the principle of "Quality Parts,Customers Priority,Honest Operation,and Considerate Service",our business mainly focus on the distribution of electronic components. Line cards we deal with include Microchip,ALPS,ROHM,Xilinx,Pulse,ON,Everlight and Freescale. Main products comprise IC,Modules,Potentiometer,IC Socket,Relay,Connector.Our parts cover such applications as commercial,industrial, and automotives areas.

We are looking forward to setting up business relationship with you and hope to provide you with the best service and solution. Let us make a better world for our industry!



## Contact us

Tel: +86-755-8981 8866 Fax: +86-755-8427 6832

Email & Skype: info@chipsmall.com Web: www.chipsmall.com

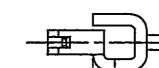
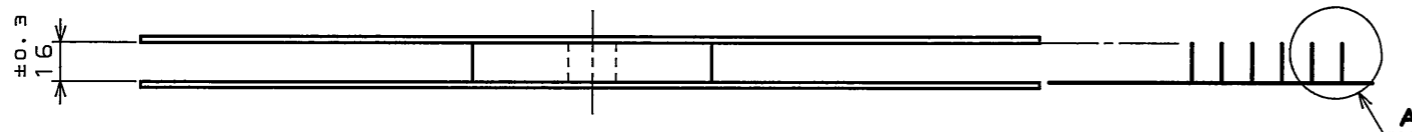
Address: A1208, Overseas Decoration Building, #122 Zhenhua RD., Futian, Shenzhen, China



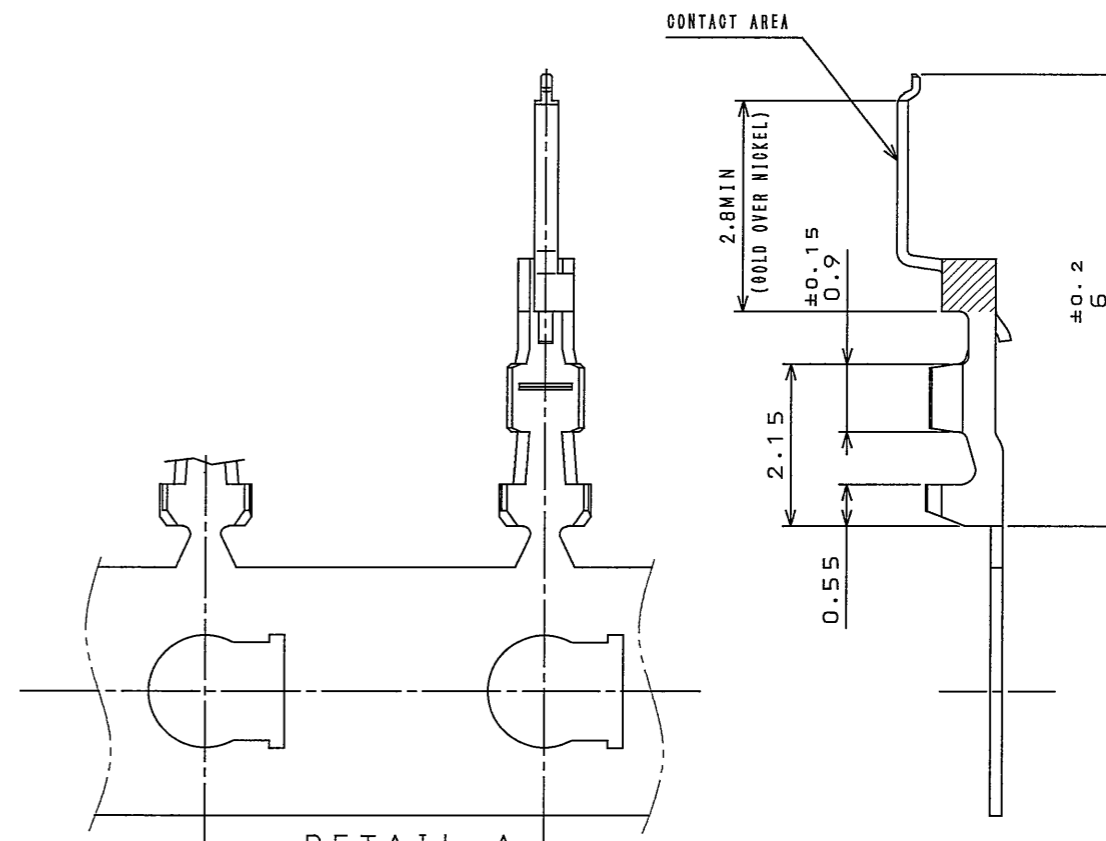
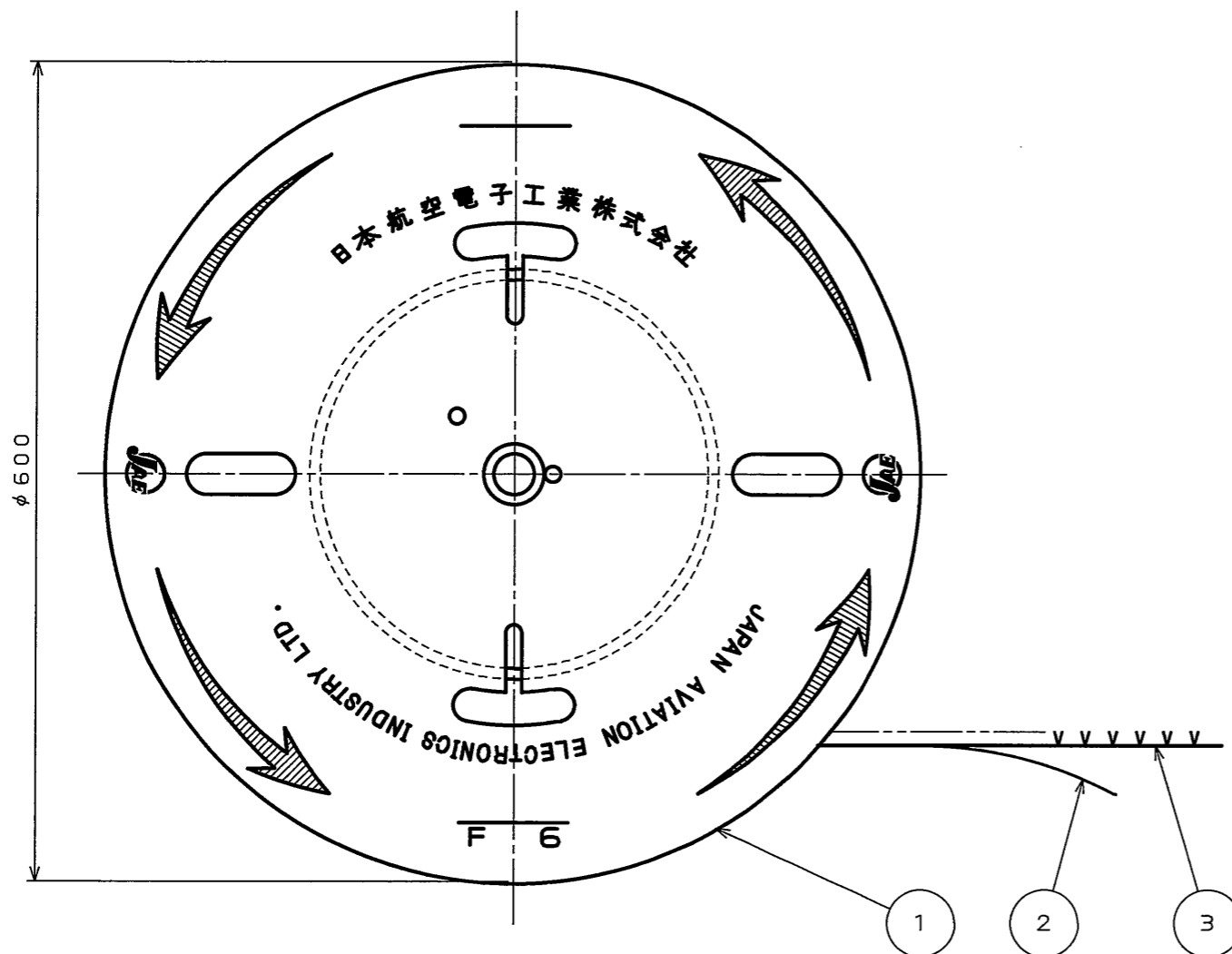
L90E01RS

(ON ENIMVHD)台線理図

版数 REV.	年月日 DATE	CON NO.	変更内容 DESCRIPTION	製図 DR.	担当 CHK.	査閲 APPD.	承認 APPD.



EXCLUDING CRIMP POT  
クリンプポット部は除く



DETAIL A  
A部詳細図  
(SCALE 10:1)  
(尺度 10:1)

NOTE1. APPLICABLE WIRE: #30~#36 AWG. STANDERD.  
2. INSULATION OUTER DIA. φ0.75~0.27mm  
3. USE THE APPLICATOR MADE BY JAE.

注1. 使用電線は、AWG#30~#36の燃線とする。  
2. 被覆外径はφ0.75~0.27mmとする。  
3. アプリケータはJAEオリジナルを使用とする。

3	CONTACT コンタクト	15000	PHOSPHOR BRONZE リン青銅	CONTACT AREA :GOLD(0.1μm MIN) OVER NICKEL NI上Auメッキ(0.1μm以上)	CRIMP AREA:TIN PLATING Snメッキ
2	PAPER TAPE 紙リール	1	PAPER		
1	MAGAZINE マガジン	1	PAPER		
符号 NO.	名称 DESCRIPTION	個数 QTY.	材料 MATERIAL	仕上 FINISH	備考 REMARKS
仕様書(SPECIFICATION)		第1版(ORIGINAL DATE) 14.Mar.2005	尺度(SCALE)	シリーズ(SERIES) FI-R	日本航空電子工業株式会社
公差(GENERAL TOLERANCE)		製図 DR.	名称(TITLE)	JAPAN AVIATION ELECTRONICS INDUSTRY, LTD.	
寸法(DIMENSION)		担当 CHK. K.HISAMATSU	FI-RC3-1B-1E -15000 MAGAZINE ASSEMBLY	図面番号(DRAWING NO.) SJ103061	
角度(ANGLES)		査閲 APPD. M. Suzuki			
. ±0.8 X° ± .X ±0.4 X° ± .XX ±0.1 .XXX ±		承認 APPD. K. Hisatomo			
		質量(MASS)	版数 (REV.) 1		

DOF-0-212E(03.08)

0 10 20 30 40 50 60 70 80 90 100

JAE CONNECTOR DIV. PROPRIETARY.  
COPYRIGHT (C) 2005, JAPAN AVIATION ELECTRONICS INDUSTRY, LTD.