



Chipsmall Limited consists of a professional team with an average of over 10 year of expertise in the distribution of electronic components. Based in Hongkong, we have already established firm and mutual-benefit business relationships with customers from,Europe,America and south Asia,supplying obsolete and hard-to-find components to meet their specific needs.

With the principle of “Quality Parts,Customers Priority,Honest Operation,and Considerate Service”,our business mainly focus on the distribution of electronic components. Line cards we deal with include Microchip,ALPS,ROHM,Xilinx,Pulse,ON,Everlight and Freescale. Main products comprise IC,Modules,Potentiometer,IC Socket,Relay,Connector.Our parts cover such applications as commercial,industrial, and automotives areas.

We are looking forward to setting up business relationship with you and hope to provide you with the best service and solution. Let us make a better world for our industry!



Contact us

Tel: +86-755-8981 8866 Fax: +86-755-8427 6832

Email & Skype: info@chipsmall.com Web: www.chipsmall.com

Address: A1208, Overseas Decoration Building, #122 Zhenhua RD., Futian, Shenzhen, China



9174716
SJ104716
(ON DRAWING) 台番理図

版数 REV.	年月日 DATE	DCN NO.	変更内容 DESCRIPTION	製図 DR.	担当 CHK.	査閲 APPD.	承認 APPD.
2	14.Feb.2006	059374	リールデザイン変更 REVISED REEL DESIGN		K.HISAMATSU	M. Suzuki	K. Hisatomi

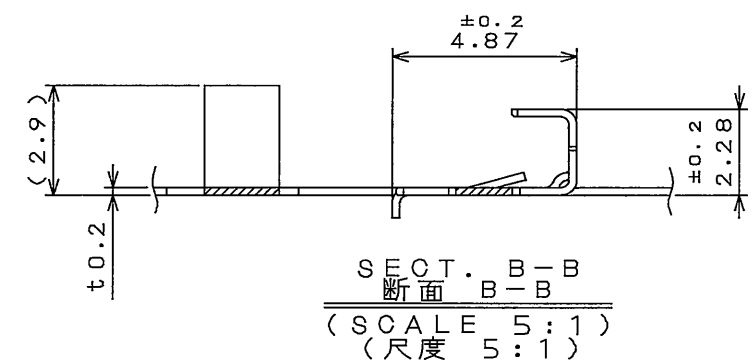
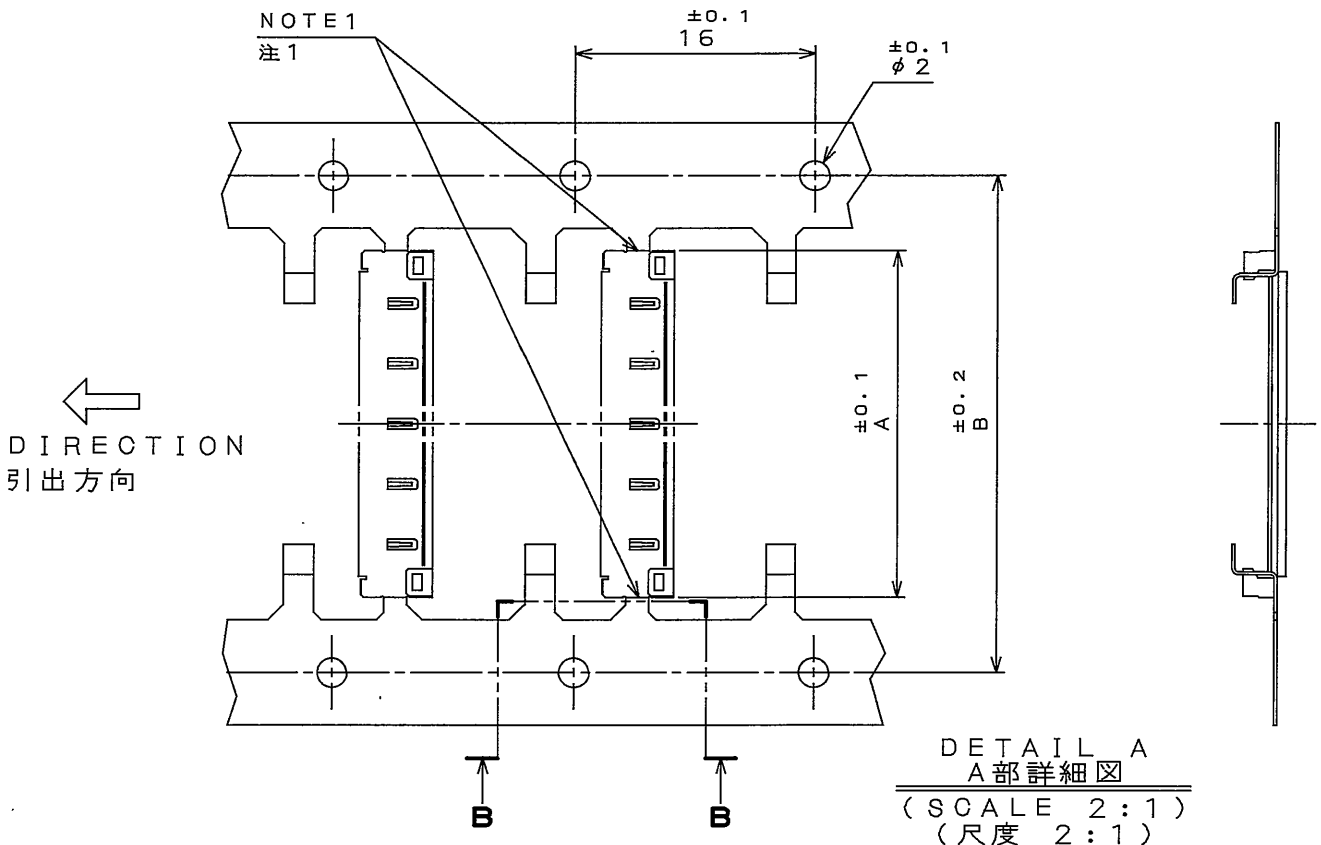
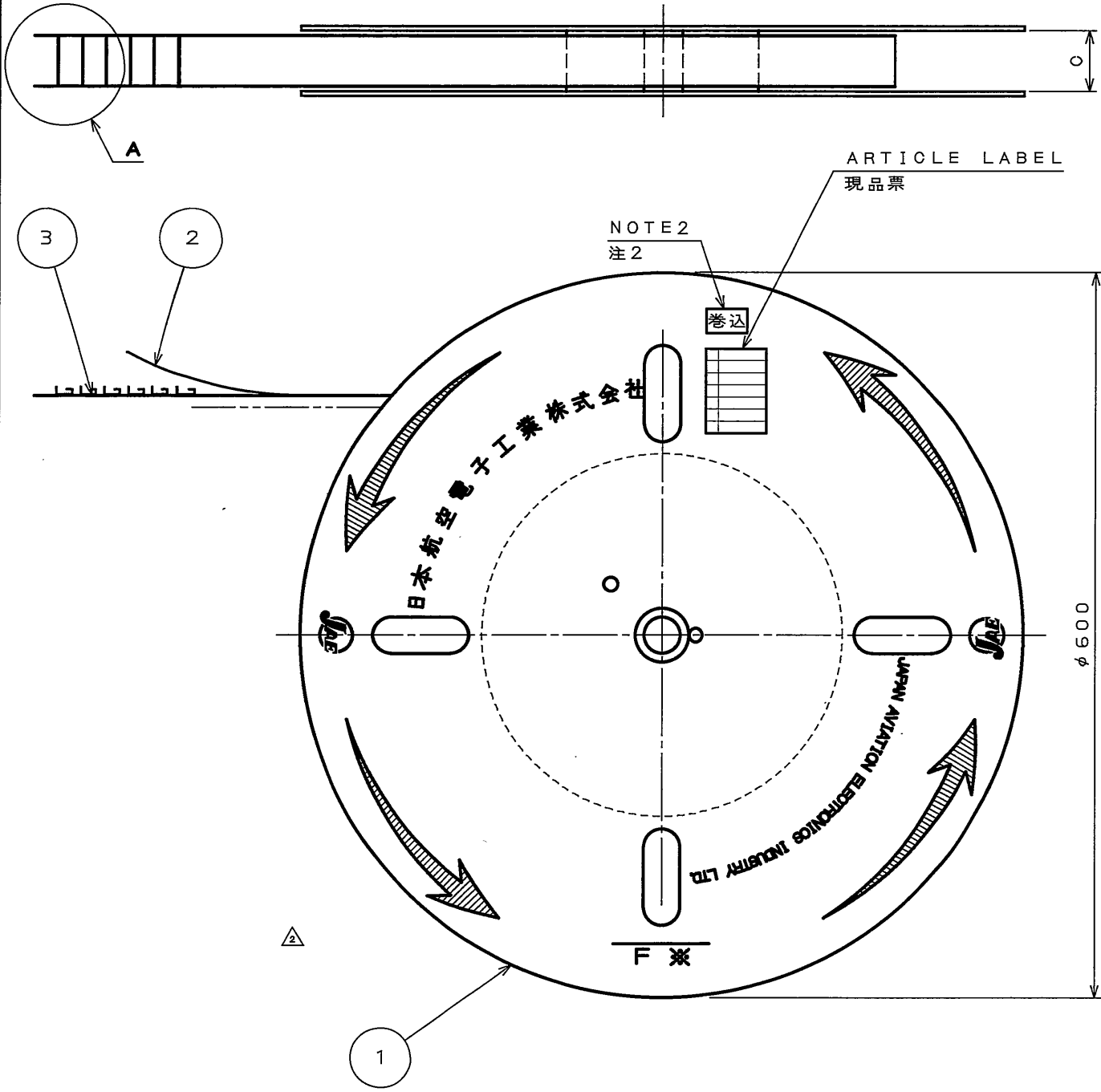


TABLE 1

NO. OF CONTACT 芯数	A	B	C
21	13.0	19.0	26.0
31	18.0	28.0	40.0
41	23.0	35.0	50.0
51	28.0	34.0	40.0

NOTE 1. THE NOTCH IS ATTACHED AS SHOWN.
注 1. 図示の位置にノッチ有り

NOTE 2. WHEN YOU SEE THE MARK **巻込** ON LEFT SIDE OF THE ARTICLE LABEL, IT MEANS REAL HAS TO BE DIVIDED INTO SEVERAL PACKAGE. WE SHOWS ITS Q'TY ON THE ARTICLE LABEL.
[EX : 3000 (1000 / 2000)]

注 2. 現品票横に **巻込** 表示がある場合、リールが分れている事を意味します。数量は現品票内に表示します。
[例 : 3000 (1000 / 2000)]

3	FI-R**CL-SH2 (COVER SHELL) 銅合金	3000	COPPER ALLOY 銅合金	TIN PLATING Snメッキ	
2	PAPER TAPE 紙リール	1	PAPER 紙		
1	MAGAZINE マガジン	1	PAPER 紙		
符号 NO.	名称 DESCRIPTION	数量 QTY.	材料 MATERIAL	仕上 FINISH	備考 REMARKS
仕様書 (SPECIFICATION)		第1版 (ORIGINAL DATE) 2.Aug.2005		尺度 (SCALE)	シリーズ (SERIES) FI-R
一般公差 (GENERAL TOLERANCE)		製図 DR.		名称 (TITLE) FI-RE**CL-SH2 -3000 SHELL	
寸法 (DIMENSION)		担当 CHK. 査閲 APPD. 承認 APPD.		K.HISAMATSU M.SUZUKI K.HISATOMI	
角度 (ANGLES)		質量 (MASS)		日本航空電子工業株式会社 JAPAN AVIATION ELECTRONICS INDUSTRY, LTD.	
. ±0.8	×° ±			図面番号 (DRAWING NO.) SJ104716	
.X ±0.4	×° ±			版数 (REV.) 2	
.XX ±0.1					
.XXX ±					