



Chipsmall Limited consists of a professional team with an average of over 10 year of expertise in the distribution of electronic components. Based in Hongkong, we have already established firm and mutual-benefit business relationships with customers from,Europe,America and south Asia,supplying obsolete and hard-to-find components to meet their specific needs.

With the principle of "Quality Parts,Customers Priority,Honest Operation,and Considerate Service",our business mainly focus on the distribution of electronic components. Line cards we deal with include Microchip,ALPS,ROHM,Xilinx,Pulse,ON,Everlight and Freescale. Main products comprise IC,Modules,Potentiometer,IC Socket,Relay,Connector.Our parts cover such applications as commercial,industrial, and automotives areas.

We are looking forward to setting up business relationship with you and hope to provide you with the best service and solution. Let us make a better world for our industry!



Contact us

Tel: +86-755-8981 8866 Fax: +86-755-8427 6832

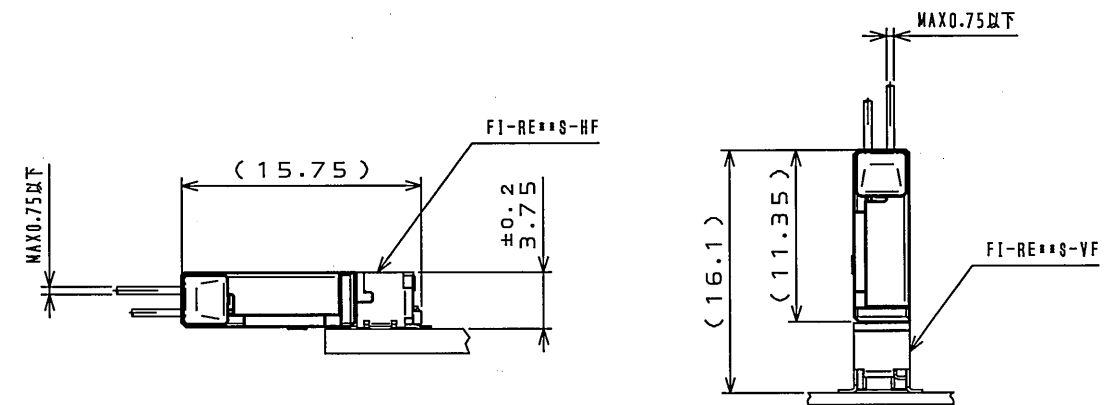
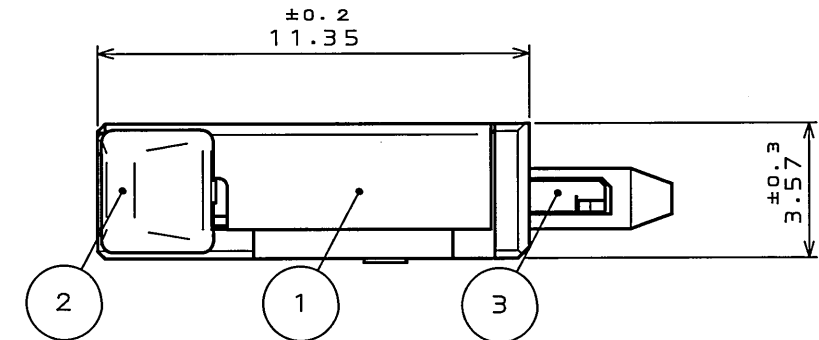
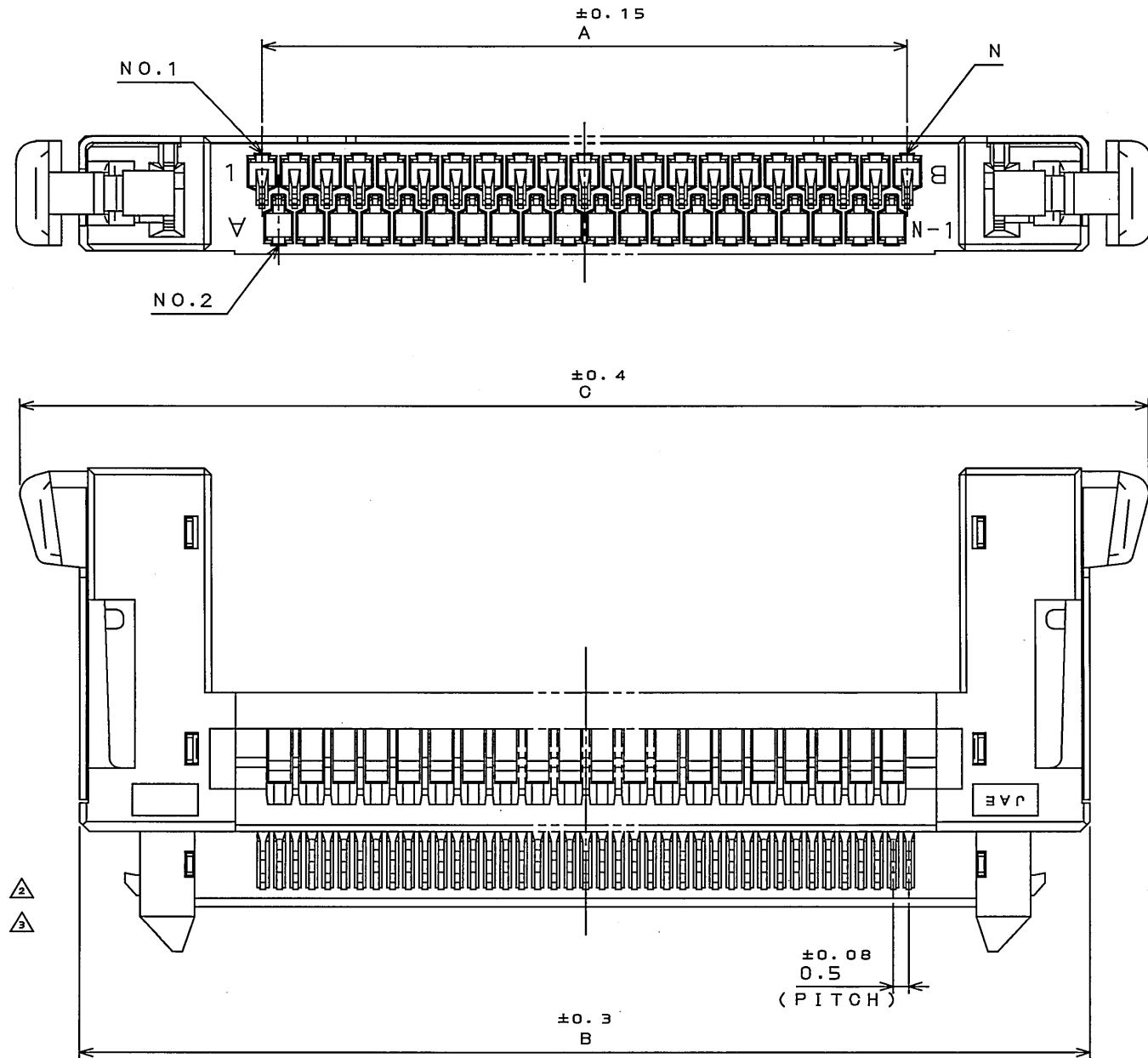
Email & Skype: info@chipsmall.com Web: www.chipsmall.com

Address: A1208, Overseas Decoration Building, #122 Zhenhua RD., Futian, Shenzhen, China



67ZE01PS
(ON DRAWING)台番図

版数 REV.	年月日 DATE	DCN NO.	変更内容 DESCRIPTION	製図 DR.	担当 CHK.	査閲 APPD.	承認 APPD.
2	27.Jul.2005	057923	REVISED FORM 形状変更		K.HISAMATSU	M.SUZUKI	K.HISATOMI
3	3.Oct.2006	061224	REVISED FORM 形状変更	M.YAMASHITA	K.HISAMATSU	m. Suzuki	H. Amemiya



MATED CONDITION (REF.)
嵌合状態図(参考)

TABLE 1
表1

NO.OF CONTACTS (N)	A	B	C
21	10	21.25	24.95
31	15	26.25	29.95
41	20	31.25	34.95
51	25	36.25	39.95

3	LOCK SPRING ロックスプリング	2	STAINLESS STEEL ステンレス		
2	INSULATOR インシュレータ	1	HEAT RESISTING PLASTIC 耐熱性プラスチック		UL94V-0
1	SHELL 圧入シェル	1	COPPER ALLOY 銅合金	TIN PLATING Snメッキ	
符号 NO.	名称 DESCRIPTION	個数 QTY.	材料 MATERIAL	仕上 FINISH	備考 REMARKS
仕様書 (SPECIFICATION)		第1版 (ORIGINAL DATE) 14.Mar.2005	尺度 (SCALE) 5:1	シリーズ (SERIES) FI-R	日本航空電子工業株式会社 JAPAN AVIATION ELECTRONICS INDUSTRY, LTD.
公差 (GENERAL TOLERANCE)		製図 DR.	名称 (TITLE) FI-RE**S-HL		図面番号 (DRAWING NO.) SJ103279
寸法 (DIMENSION)	角度 (ANGLES)	担当 CHK. 査閲 APPD. 承認 APPD.	質量 (MASS)		
. ±0.8	° ±	K.HISAMATSU			
.X ±0.4	°X ±	M.SUZUKI			
.XX ±0.1		K.HISATOMI			版数 (REV.) 3
.XXX ±					

NOTE 1. APPLICABLE CONTACT
FI-RC3-1A-1E-15000 AND FI-RC3-1B-1E-15000

注1. 適合コンタクトは下記コンタクトを使用して下さい。
FI-RC3-1A-1E-15000及びFI-RC3-1B-1E-15000

DOF-0-212F(05.08)

