



Chipsmall Limited consists of a professional team with an average of over 10 year of expertise in the distribution of electronic components. Based in Hongkong, we have already established firm and mutual-benefit business relationships with customers from,Europe,America and south Asia,supplying obsolete and hard-to-find components to meet their specific needs.

With the principle of "Quality Parts,Customers Priority,Honest Operation,and Considerate Service",our business mainly focus on the distribution of electronic components. Line cards we deal with include Microchip,ALPS,ROHM,Xilinx,Pulse,ON,Everlight and Freescale. Main products comprise IC,Modules,Potentiometer,IC Socket,Relay,Connector.Our parts cover such applications as commercial,industrial, and automotives areas.

We are looking forward to setting up business relationship with you and hope to provide you with the best service and solution. Let us make a better world for our industry!



Contact us

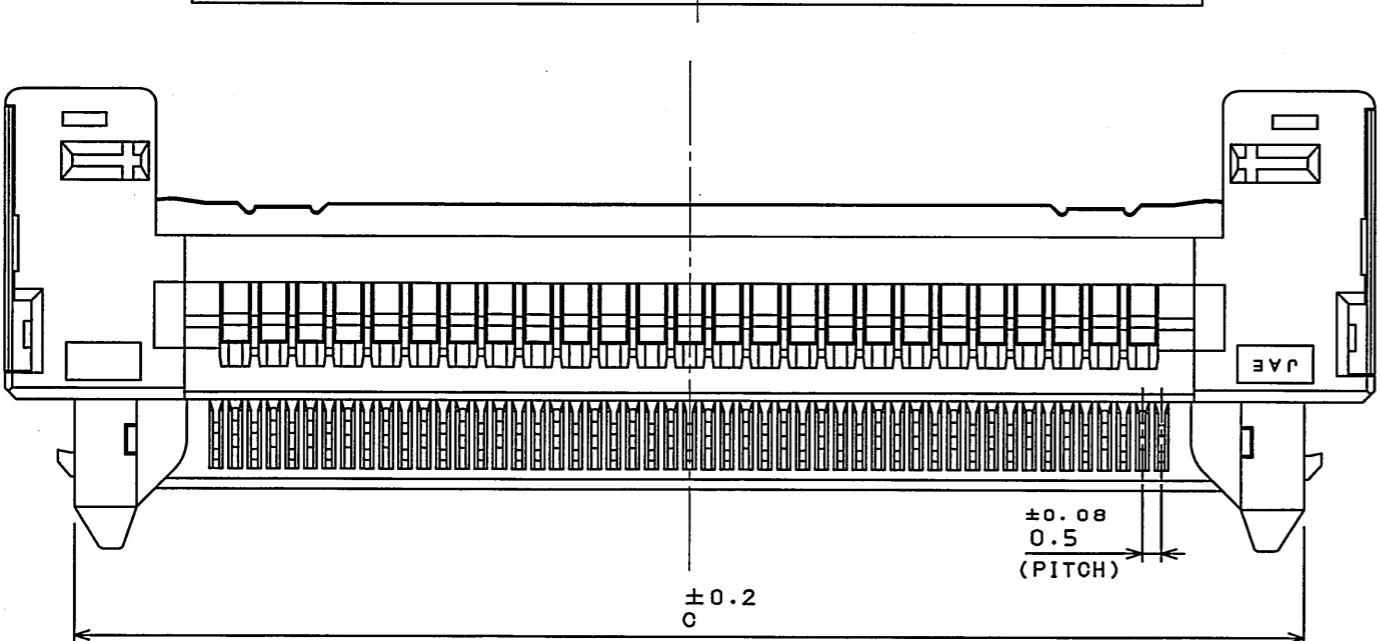
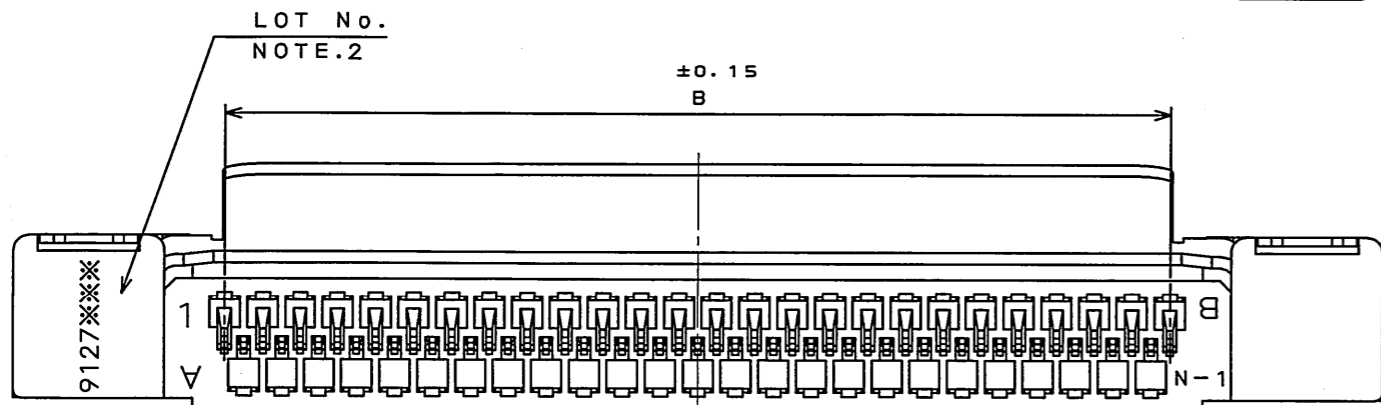
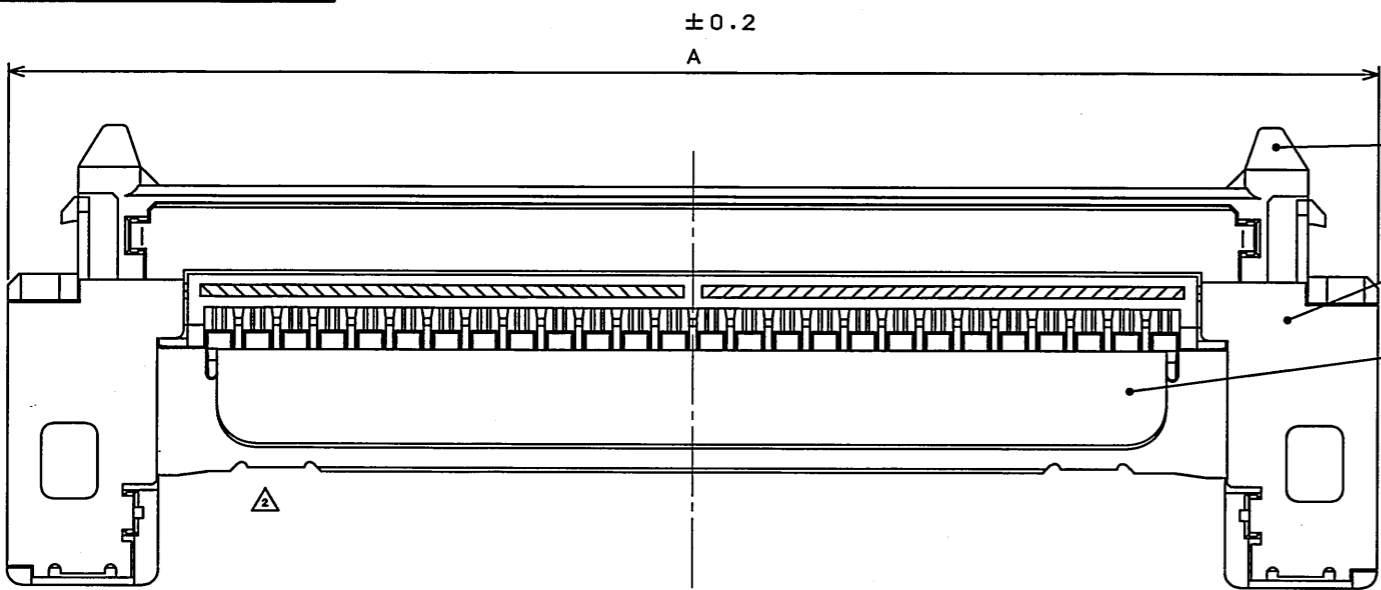
Tel: +86-755-8981 8866 Fax: +86-755-8427 6832

Email & Skype: info@chipsmall.com Web: www.chipsmall.com

Address: A1208, Overseas Decoration Building, #122 Zhenhua RD., Futian, Shenzhen, China

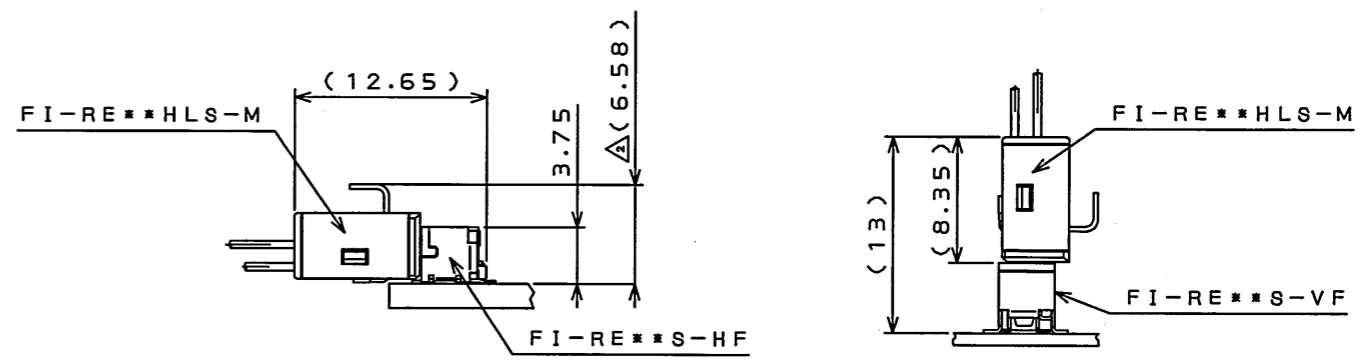


SJ109637
(ON DRAWING)台号

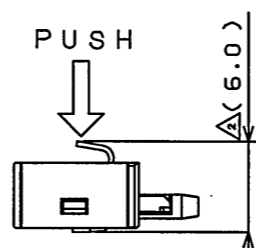
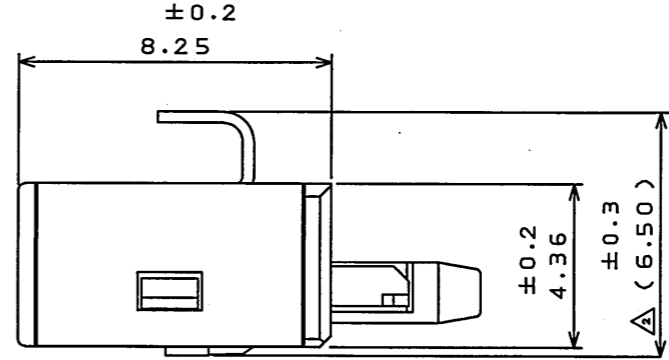


NOTE1. APPLICABLE CONTACT
FI-RC3-1A-1E-15000 AND FI-RC3-1B-1E-15000
NOTE2. PRODUCTION LOT NUMBER AS INDICATED.
注1. 適合コンタクトは下記コンタクトを使用して下さい。
FI-RC3-1A-1E-15000及びFI-RC3-1B-1E-15000
注2. 図示の位置にロット番号を表示する。

版数 REV.	年月日 DATE	DCN NO.	変更内容 DESCRIPTION	製図 DR.	担当 CHK.	査閲 APPD.	承認 APPD.
2	10.Jul.2009	068223	REVISED FORM etc. 形状変更	Y.HONDA	Y.HONDA	-	<i>Y. Degli</i>



MATED CONDITION (REF.)
嵌合状態図(参考)



MATING-LOCK RELEASING CONDITION
嵌合ロック解除状態

TABLE 1
表1

NO.OF CONTACTS(N)	DEMENSION		
	A	B	C
41	31.25	20.00	27.55
51	36.25	25.00	32.55

3	OPERATION SHELL 操作シェル	1	STAINLESS STEEL ステンレス		
2	COVER SHELL カバーシェル	1	COPPER ALLOY 銅合金	TIN PLATING Snメッキ	
1	INSULATOR インシュレータ	1	HEAT RESISTING PLASTIC 耐熱性プラスチック		UL94V-0
符号	名称	個数	材料	仕上	備考
	DESCRIPTION	QTY.	MATERIAL	FINISH	REMARKS
仕様書(SPECIFICATION)		第1版(ORIGINAL DATE) 12.Mar.2009		尺度(SCALE) 5:1	シリーズ(SERIES) FI-R
公差(GENERAL TOLERANCE)		製図 DR. Y.HONDA		名称(TITLE) FI-RE**HLS-M	
寸法(DIMENSION)		担当 CHK. M.YAMASHITA		日本航空電子工業株式会社 JAPAN AVIATION ELECTRONICS INDUSTRY, LTD.	
角度(ANGLES)		査閲 APPD. K.HISAMATSU			
. ±0.8 X° ±		承認 APPD. Y.KUBOTA			
.X ±0.4 X°X' ±				図面番号(DRAWING NO.) SJ109637	
.XX ±0.1				版数 (REV.) 2	
.XXX ±				質量(MASS)	