



Chipsmall Limited consists of a professional team with an average of over 10 year of expertise in the distribution of electronic components. Based in Hongkong, we have already established firm and mutual-benefit business relationships with customers from,Europe,America and south Asia,supplying obsolete and hard-to-find components to meet their specific needs.

With the principle of “Quality Parts,Customers Priority,Honest Operation,and Considerate Service”,our business mainly focus on the distribution of electronic components. Line cards we deal with include Microchip,ALPS,ROHM,Xilinx,Pulse,ON,Everlight and Freescale. Main products comprise IC,Modules,Potentiometer,IC Socket,Relay,Connector.Our parts cover such applications as commercial,industrial, and automotives areas.

We are looking forward to setting up business relationship with you and hope to provide you with the best service and solution. Let us make a better world for our industry!



## Contact us

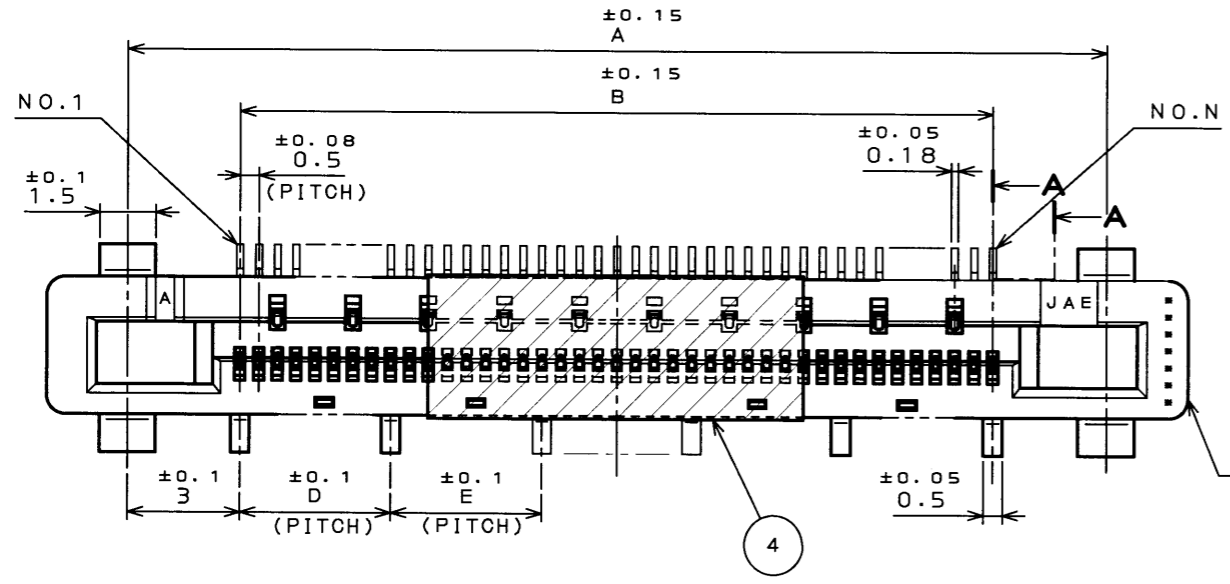
Tel: +86-755-8981 8866 Fax: +86-755-8427 6832

Email & Skype: info@chipsmall.com Web: www.chipsmall.com

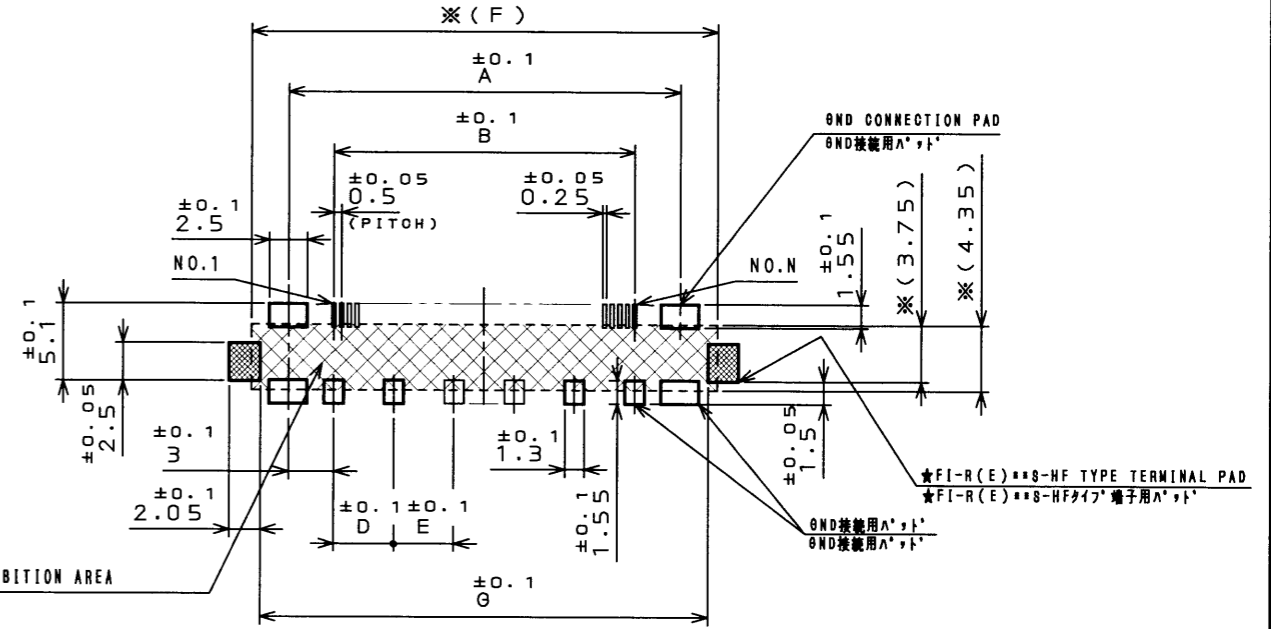
Address: A1208, Overseas Decoration Building, #122 Zhenhua RD., Futian, Shenzhen, China



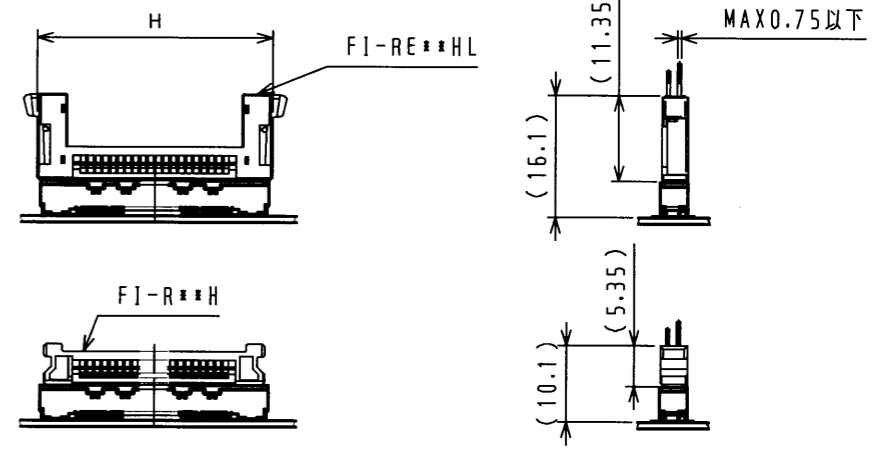
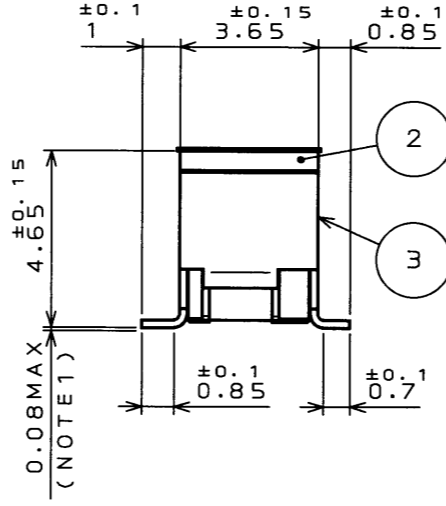
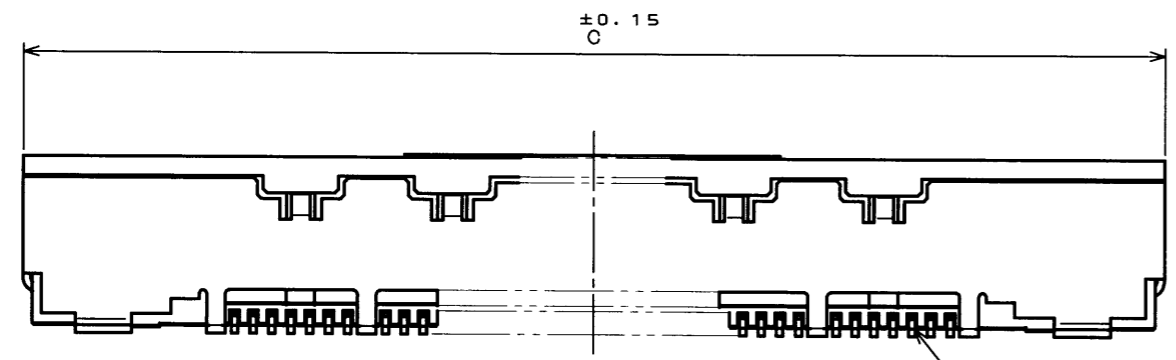
版数 REV.	年月日 DATE	DCN NO.	変更内容 DESCRIPTION	製図 DR.	担当 CHK.	査閲 APPD.	承認 APPD.
2	15.Mar.2007	062543	ADDED LOT No. etc ロットNo.追加・他		K.HISAMATSU M.YAMASHITA	M.SUZUKI	K.HISATOMI



SECT. A-A  
(SCALE 10:1)



APPLICABLE P.C.B. DIMENSION (REF.)  
適合基板寸法 (参考)



MATED CONDITION (REF.)  
嵌合状態図 (参考)

TABLE 1  
表1

CONTACT AREA 接触部	SOLDERING AREA 端子部
GOLD OVER NICKEL Ni上Au	TIN OVER NICKEL Ni上Sn

TABLE 2  
表2

NO. OF CONTACTS (N)	A	B	C	D	E	F	G	H
21	16	10	20.35	3	—	20.95	19.75	21.25
31	21	15	25.35	4	—	25.95	24.75	26.25
41	26	20	30.35	4	4	30.95	29.75	31.25
51	31	25	35.35	5	5	35.95	34.75	36.25

4	STICKING TAPE 吸着テープ	1	HEAT RESISTING TAPE 耐熱性テープ		
3	SHELL シェル	1	STAINLESS STEEL ステンレス	TIN PLATING Snメッキ	
2	INSULATOR インシュレータ	1	HEAT RESISTING PLASTIC 耐熱性プラスチック		UL94 V-0
1	CONTACT コンタクト	TABLE 2	COPPER ALLOY 銅合金	TABLE 1	

仕様書 (SPECIFICATION)	第1版 (ORIGINAL DATE) 15.Mar.2005	尺度 (SCALE) 5:1	シリーズ (SERIES) FI-R	備考 (REMARKS) 日本航空電子工業株式会社
公差 (GENERAL TOLERANCE)	製図 (DR.)	名称 (TITLE) FI-RE**S-VF (SHIELD TYPE)		JAE ELECTRONICS INDUSTRY, LTD.
寸法 (DIMENSION)	担当 (CHK.) K.HISAMATSU	質量 (MASS)		図面番号 (DRAWING NO.) SJ102933
角度 (ANGLES)	査閲 (APPD.) M.SUZUKI	承認 (APPD.) K.HISATOMI		版数 (REV.) 2

NOTE 1. COPLANARITY BETWEEN TERMINAL AND HOLD DOWN OF SHELL SHOULD BE 0.08mm MAX.  
△ 2. PRODUCTION LOT NUMBER AS INDICATED.

注1. 端子及び、シェルのホルドダウンの相互のパラツキは0.08以内とする。  
△ 2. 図示の位置にロット番号を表示する。

DOF-0-212F(05.08)