



Chipsmall Limited consists of a professional team with an average of over 10 year of expertise in the distribution of electronic components. Based in Hongkong, we have already established firm and mutual-benefit business relationships with customers from,Europe,America and south Asia,supplying obsolete and hard-to-find components to meet their specific needs.

With the principle of “Quality Parts,Customers Priority,Honest Operation,and Considerate Service”,our business mainly focus on the distribution of electronic components. Line cards we deal with include Microchip,ALPS,ROHM,Xilinx,Pulse,ON,Everlight and Freescale. Main products comprise IC,Modules,Potentiometer,IC Socket,Relay,Connector.Our parts cover such applications as commercial,industrial, and automotives areas.

We are looking forward to setting up business relationship with you and hope to provide you with the best service and solution. Let us make a better world for our industry!



## Contact us

Tel: +86-755-8981 8866 Fax: +86-755-8427 6832

Email & Skype: info@chipsmall.com Web: www.chipsmall.com

Address: A1208, Overseas Decoration Building, #122 Zhenhua RD., Futian, Shenzhen, China

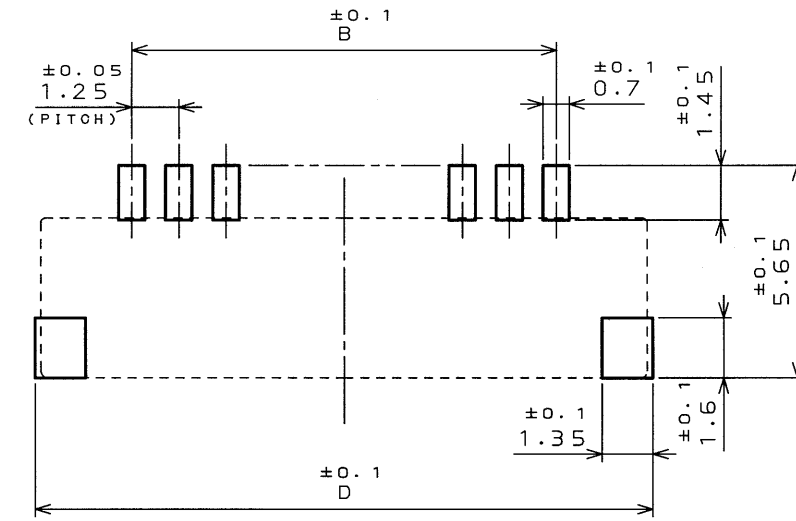
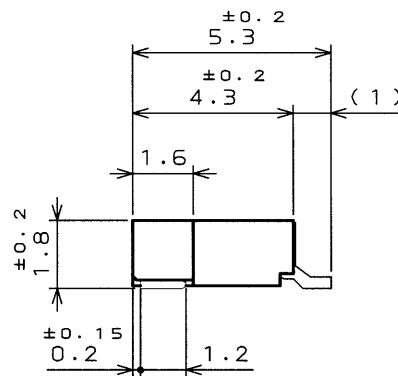
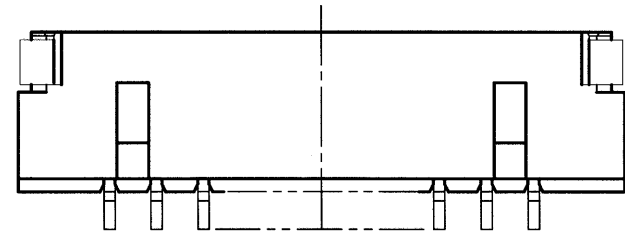
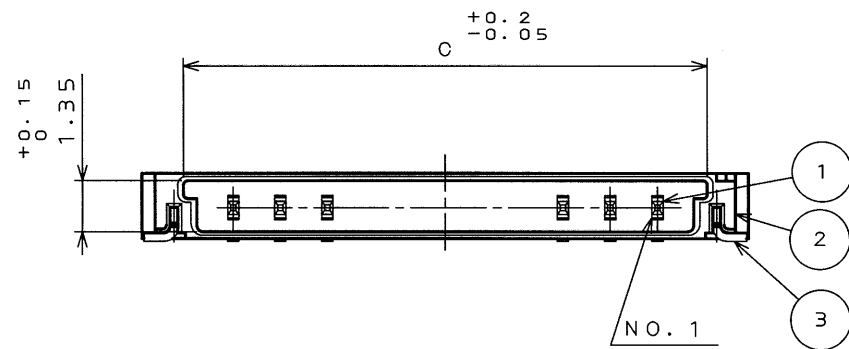
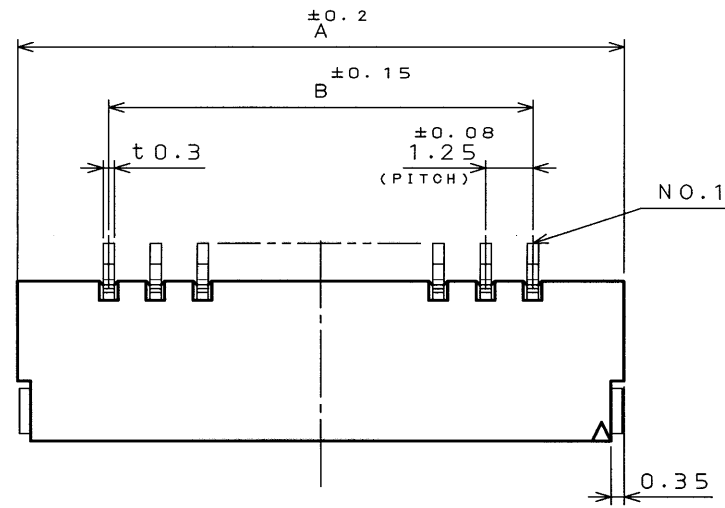


6867E09S  
(DRAWING NO.) (図番)

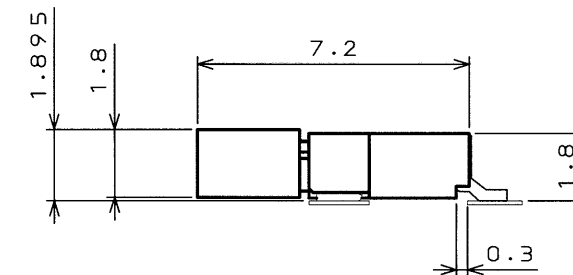
SYM. 版数	DCN NO.	DESCRIPTION 変更内容	DATE 年月日	DRAWN 製図	CHECKED 担当	APP'D 査閲	APP'D 承認

TABLE 1  
表-1

DIMENSION NO. OF CONTACTS(N)	A	B	C	D
8	13.6	8.75	11.4	13.9
10	16.1	11.25	13.9	16.4
15	22.35	17.5	20.15	22.65
20	28.6	23.75	26.4	28.9
25	34.85	30	32.65	35.15
30	41.1	36.25	38.9	41.4



P.C.B PATTERN DIMENSION (REF.)  
基板パターン寸法(参考)



MATED CONDITION (REF.)  
嵌合状態図(参考)

3	HOLD DOWN ホールドダウン	2	COPPER ALLOY 銅合金	(LEAD FREE) TIN/TIN ALLOY 錫または錫合金(無鉛)	
2	INSULATOR インシュレータ	1	GLASS FILLED LCP ガラス入りLCP		UL94V-0 BEIGE (ベージュ)
1	CONTACT コンタクト	N	COPPER ALLOY 銅合金	SELECTIVE GOLD PLATING OVER NICKEL Ni上部分Auメッキ	TERMINAL AREA: (LEAD FREE) TIN/TIN ALLOY 端子部: 錫または錫合金(無鉛)
ITEM 符号	DESCRIPTION 名称	Q'TY 個数	MATERIAL 材料	FINISH 仕上	REMARKS 備考

仕様書(REFERENCE DOCUMENT)		第1版(DATE) 3. Mar. '03	尺度(SCALE) <b>JAE-CONNECTOR.COM</b>	 JAE CONNECTOR DIV. PROPRIETARY. INDUSTRY, LTD. Reference Only 日本航空電子工業株式会社
公差(GENERAL TOLERANCE)		製図(DR.) M.TANAKA	名称(TITLE) FI-S**P-HFE	
寸法(DIMENSION)	角度(ANGLES)	担当(CHK.) M.TAKAKU		
. ±0.8	×° ±	査閲(APP.)		
.X ±0.4	×× ±	承認(APP.) <i>[Signature]</i>	シリーズ(SERIES) FI	図面番号(DRAWING NO.) SJ037989
.XX ±0.1				版数(SYM.) 1
.XXX ±				

LEAD FREE この製品は鉛フリー品です

