



Chipsmall Limited consists of a professional team with an average of over 10 year of expertise in the distribution of electronic components. Based in Hongkong, we have already established firm and mutual-benefit business relationships with customers from,Europe,America and south Asia,supplying obsolete and hard-to-find components to meet their specific needs.

With the principle of “Quality Parts,Customers Priority,Honest Operation,and Considerate Service”,our business mainly focus on the distribution of electronic components. Line cards we deal with include Microchip,ALPS,ROHM,Xilinx,Pulse,ON,Everlight and Freescale. Main products comprise IC,Modules,Potentiometer,IC Socket,Relay,Connector.Our parts cover such applications as commercial,industrial, and automotives areas.

We are looking forward to setting up business relationship with you and hope to provide you with the best service and solution. Let us make a better world for our industry!



Contact us

Tel: +86-755-8981 8866 Fax: +86-755-8427 6832

Email & Skype: info@chipsmall.com Web: www.chipsmall.com

Address: A1208, Overseas Decoration Building, #122 Zhenhua RD., Futian, Shenzhen, China



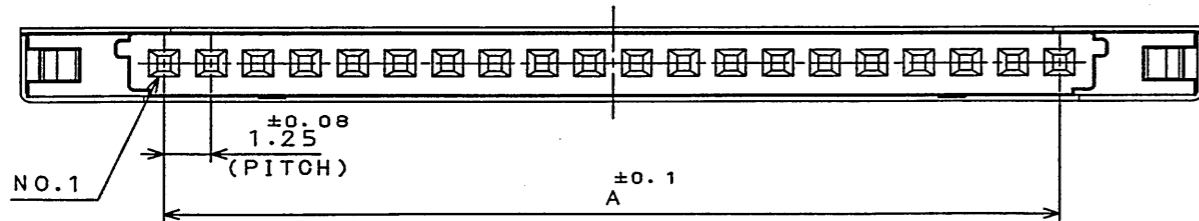
SJ100503

(DRAWING NO.) 図面番号

NOTE1. ONCE YOU CLOSE THE SLIDER COVERED WITH SHELL, SPECIAL JIG IS NECESSARY TO EXTRACT IT.

注1. 本製品は、スライダーを一度ロックさせ再び開放するには、専用の治具が必要となります。

版数 REV.	年月日 DATE	DCN NO.	変更内容 DESCRIPTION	製図 DR.	担当 CHK.	査閲 APPD.	承認 APPD.



COMPANY LOGO "JAE" POSITION
社標表示位置

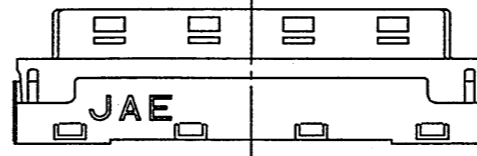
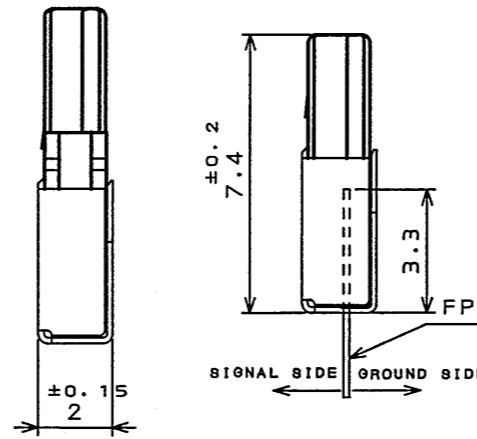
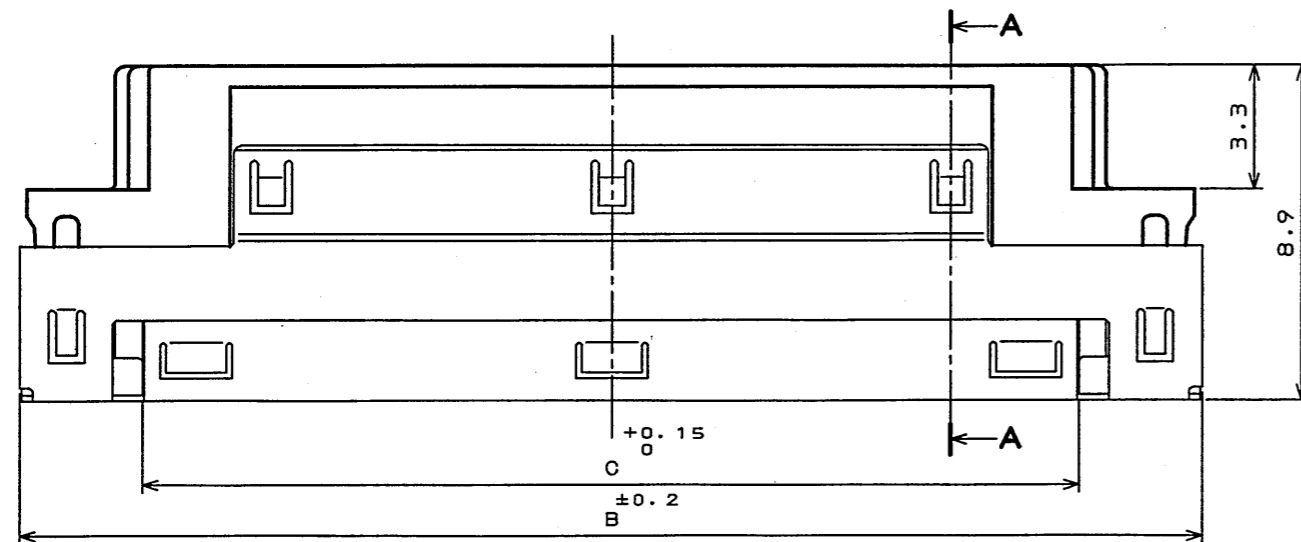
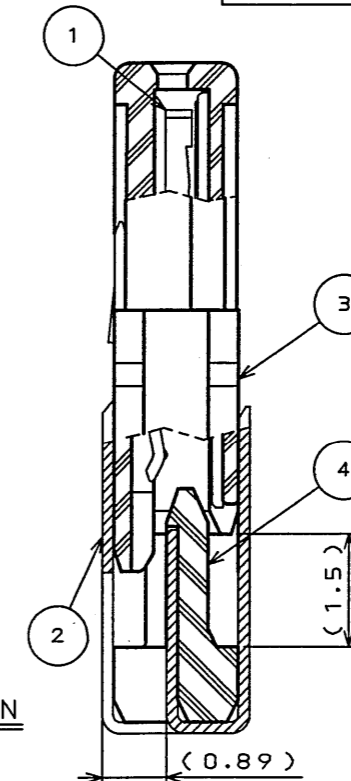


TABLE 1

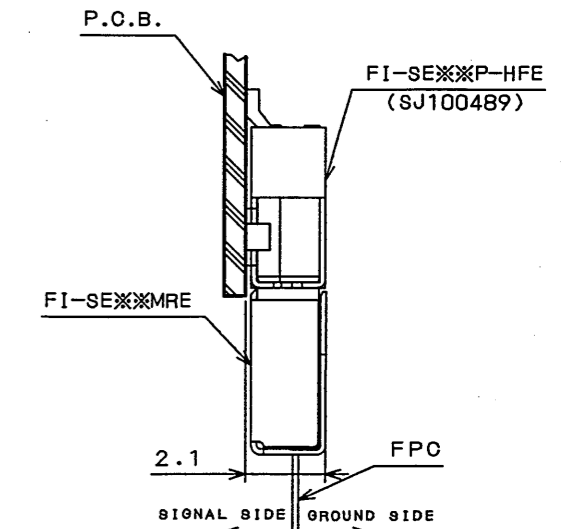
DIMENSION NO. OF CONTACTS(N)	A	B	C
20	23.75	31.5	24.8



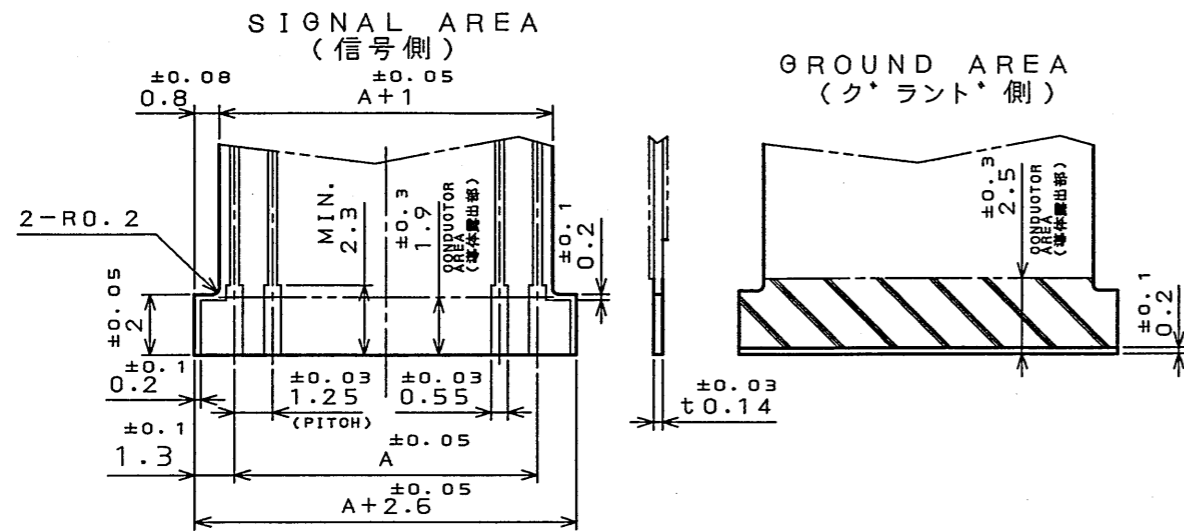
LOCKED CONDITION
FPC嵌合状態図



SECT. A-A
(SCALE 10:1)



MATED CONDITION (REF.)
嵌合状態図(参考)



F.P.C. PATTERN DIMENSION (REF.)
FPCパターン寸法(参考)

符号 NO.	名称 DESCRIPTION	個数 QTY.	材料 MATERIAL	仕上 FINISH	備考 REMARKS
4	SLIDE INSULATOR スライド インシュレータ	1	GLASS FILLED PPS ガラス入りPPS	—	UL94V-0 BROWN(茶)
3	BASE INSULATOR ベース インシュレータ	1	GLASS FILLED PPS ガラス入りPPS	—	UL94V-0 BROWN(茶)
2	SHELL シェル	1	COPPER ALLOY 銅合金	TIN PLATING Snメッキ	—
1	CONTACT コンタクト	N	COPPER ALLOY 銅合金	MATING SIDE: GOLD OVER NICKEL FPC SIDE: (LEAD FREE) TIN/TIN ALLOY OVER NICKEL	ピン嵌合側: NI上Auメッキ FPC嵌合側: NI上または銅合金(無鉛)メッキ

仕様書 (SPECIFICATION)	第1版 (ORIGINAL DATE)	尺 (SCALE)	シ (SERIES)
JACS-1526	10.Dee.2003	5:1	FI
製図 (DRAWING)	製図 (DRAWING)	名称 (TITLE)	日本航空電子工業株式会社
H.SAKURADA	H.SAKURADA	FI-SE**MRE	JAE CONNECTOR.COM
担当 (CHECK)	T.YAMAJI	重量 (WEIGHT)	Reference Only
査閲 (APPD.)	M. Suzuki	図面番号 (DRAWING NO.)	JAE AVIATION
承認 (APPD.)	Y. Ichijama	版数 (REV.)	ELECTRONICS INDUSTRY, LTD.
			SJ100503

LEAD FREE この製品は鉛フリー品です

JAE CONNECTOR DIV. PROPRIETARY.
COPYRIGHT (C) 2003, JAPAN AVIATION ELECTRONICS INDUSTRY, LTD.

DOF-O-212E(03.06)

