



Chipsmall Limited consists of a professional team with an average of over 10 year of expertise in the distribution of electronic components. Based in Hongkong, we have already established firm and mutual-benefit business relationships with customers from,Europe,America and south Asia,supplying obsolete and hard-to-find components to meet their specific needs.

With the principle of “Quality Parts,Customers Priority,Honest Operation,and Considerate Service”,our business mainly focus on the distribution of electronic components. Line cards we deal with include Microchip,ALPS,ROHM,Xilinx,Pulse,ON,Everlight and Freescale. Main products comprise IC,Modules,Potentiometer,IC Socket,Relay,Connector.Our parts cover such applications as commercial,industrial, and automotives areas.

We are looking forward to setting up business relationship with you and hope to provide you with the best service and solution. Let us make a better world for our industry!



Contact us

Tel: +86-755-8981 8866 Fax: +86-755-8427 6832

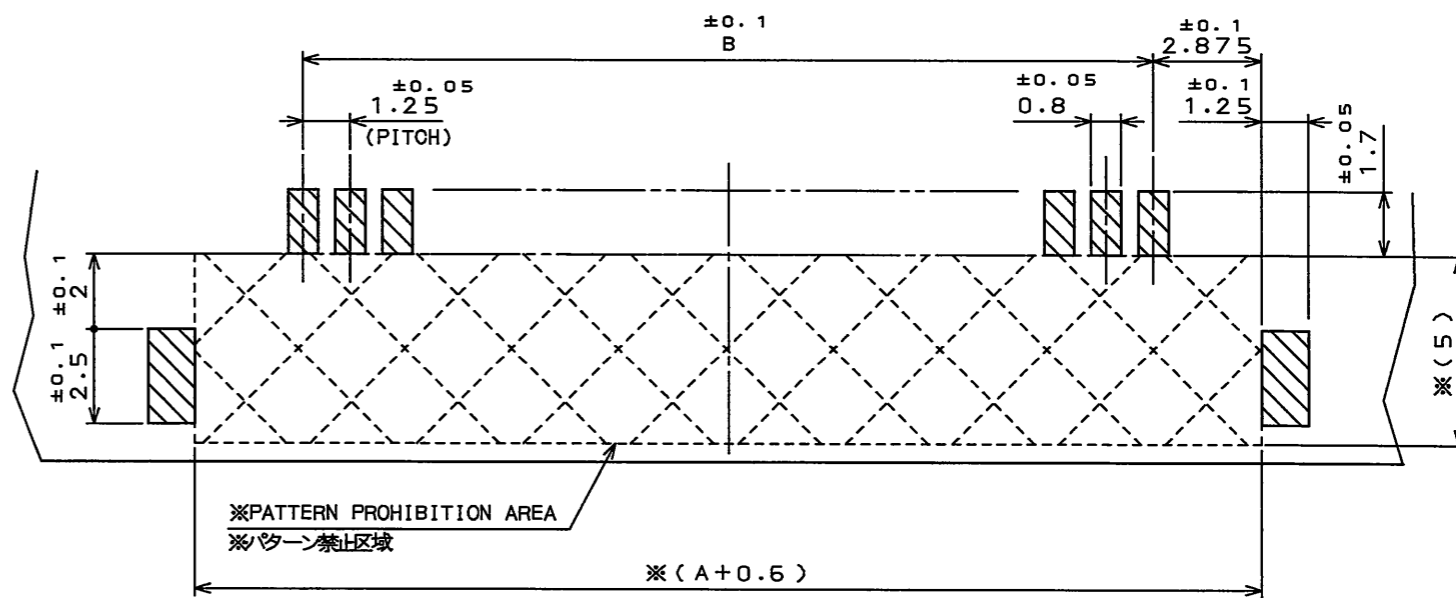
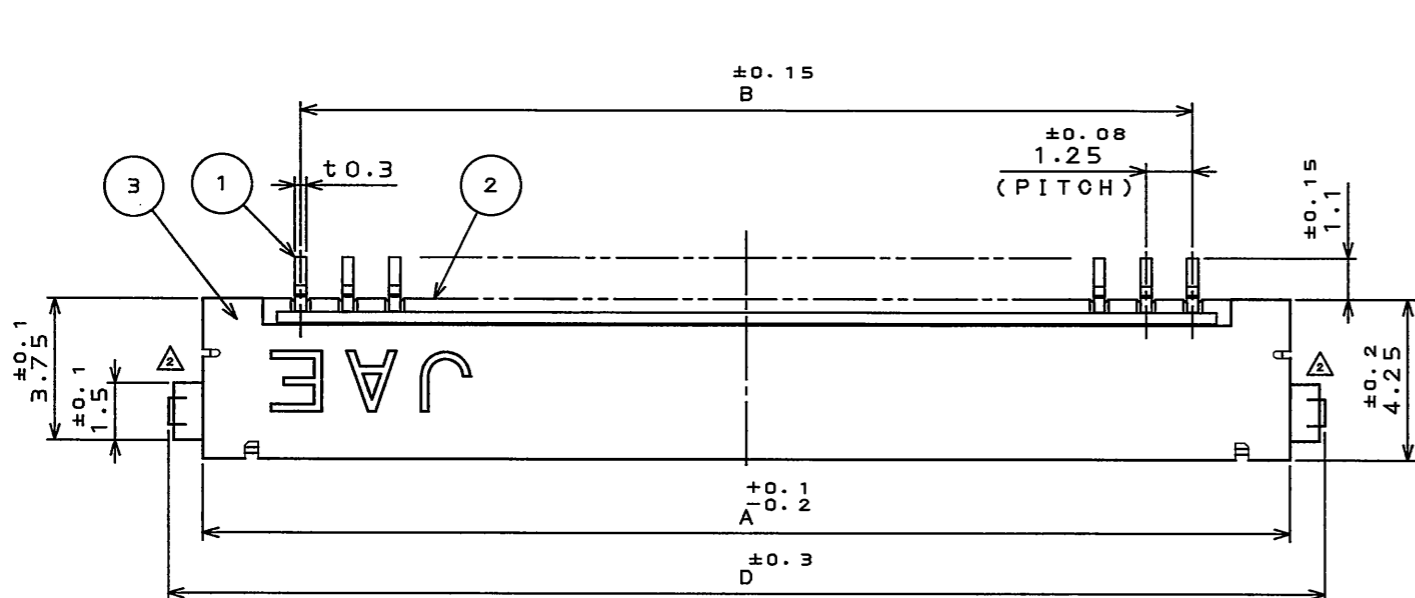
Email & Skype: info@chipsmall.com Web: www.chipsmall.com

Address: A1208, Overseas Decoration Building, #122 Zhenhua RD., Futian, Shenzhen, China



6870489
SJ100489
図面番号(DRAWING NO.)

版数 REV.	年月日 DATE	DCN NO.	変更内容 DESCRIPTION	製図 DR.	担当 CHK.	査閲 APPD.	承認 APPD.
2	30.Sep.2010	070788	CHANGED OUTLINE		J.SHINDOU		K. Haraki



APPLICABLE P.C.B. DIMENSION (REF.)
適合基板寸法(参考)

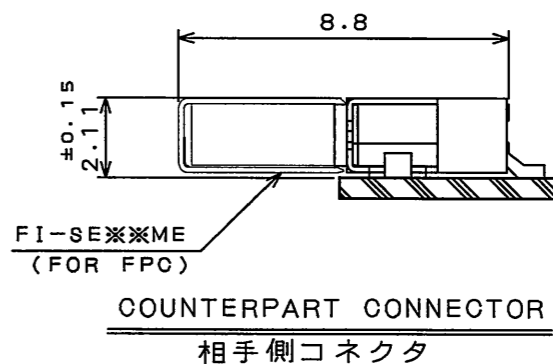
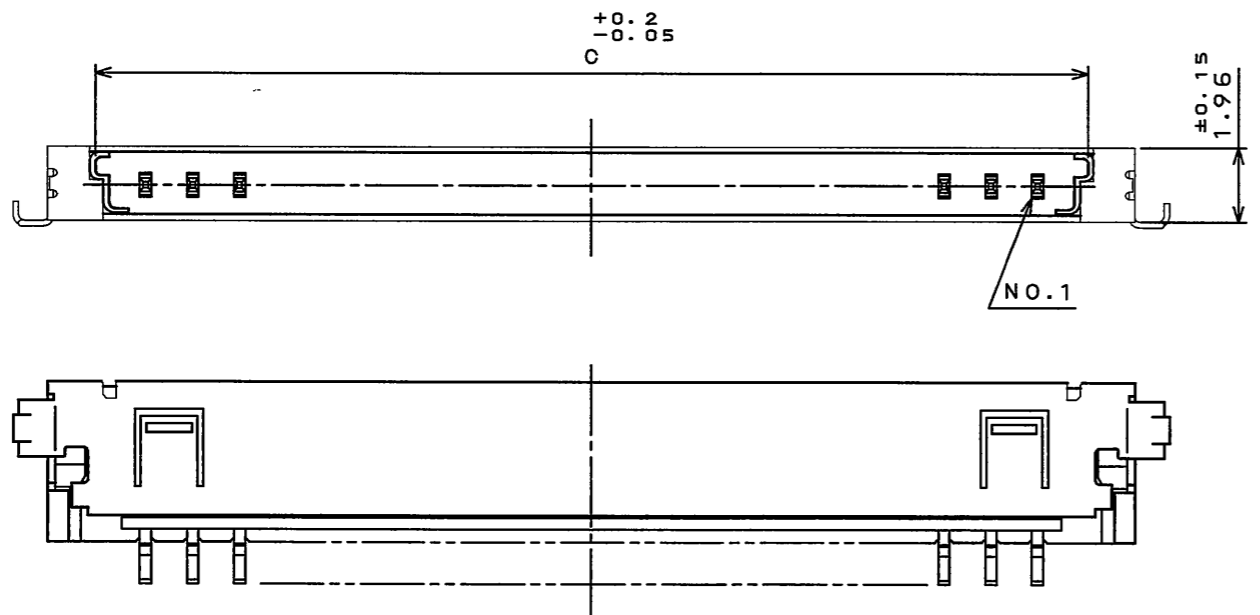


TABLE 1

DIMENSION NO. OF CONTACTS(N)	A	B	C	D
20	28.9	23.75	26.4	30.75

3	SHELL シェル	1	COPPER ALLOY 銅合金	TIN Snメッキ	
2	INSULATOR インシュレータ	1	GLASS FILLED LCP ガラス入りLOP		UL94-V-0 BEIGE (ベージュ)
1	CONTACT コンタクト	N	COPPER ALLOY 銅合金	GOLD OVER NICKEL Ni上部分Auメッキ	TERMINAL AREA: (LEAD FREE)TIN/TIN ALLOY OVER NICKEL 端子部: Ni上または銅合金(無鉛)メッキ
符号 NO.	名称 DESCRIPTION	個数 QTY.	材 料 MATERIAL	仕 上 FINISH	備 考 REMARKS
仕様書(SPECIFICATION)		第1版(ORIGINAL DATE) 10.Dec.2003		尺度(SCALE) 5:1	シリーズ(SERIES) FI
製図 DR.		H.SAKURADA		名称(TITLE) FI-SE※※P-HFE	
公差(GENERAL TOLERANCE)		担当 CHK. T.YAMAJI		日本航空電子工業株式会社 JAPAN AVIATION ELECTRONICS INDUSTRY, LTD.	
寸法(DIMENSION)		査閲 APPD. M.SUZUKI			
角度(ANGLES)		承認 APPD. Y.ICHIYAMA			
. ±0.8		×° ±		図面番号(DRAWING NO.) SJ100489	
.X ±0.4		×× ±			
.XX ±0.1					
.XXX ±				重量(WEIGHT)	

LEAD FREE この製品は鉛フリー品です

DOF-0-212E(03.08)



SIZE A3