



Chipsmall Limited consists of a professional team with an average of over 10 year of expertise in the distribution of electronic components. Based in Hongkong, we have already established firm and mutual-benefit business relationships with customers from,Europe,America and south Asia,supplying obsolete and hard-to-find components to meet their specific needs.

With the principle of "Quality Parts,Customers Priority,Honest Operation,and Considerate Service",our business mainly focus on the distribution of electronic components. Line cards we deal with include Microchip,ALPS,ROHM,Xilinx,Pulse,ON,Everlight and Freescale. Main products comprise IC,Modules,Potentiometer,IC Socket,Relay,Connector.Our parts cover such applications as commercial,industrial, and automotives areas.

We are looking forward to setting up business relationship with you and hope to provide you with the best service and solution. Let us make a better world for our industry!



## Contact us

Tel: +86-755-8981 8866 Fax: +86-755-8427 6832

Email & Skype: info@chipsmall.com Web: www.chipsmall.com

Address: A1208, Overseas Decoration Building, #122 Zhenhua RD., Futian, Shenzhen, China

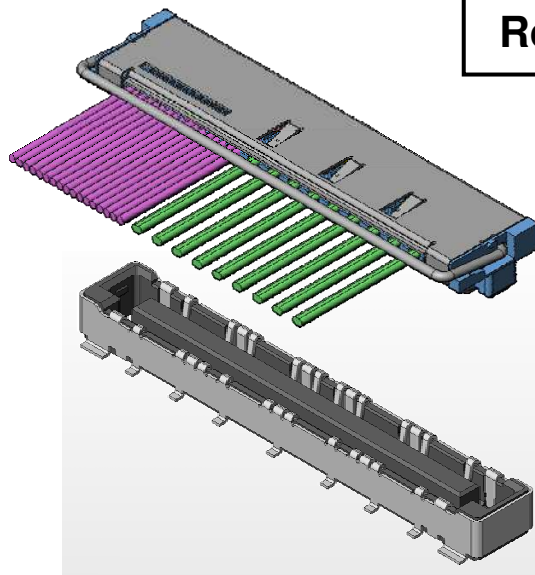


**NEW**  
Board to Cable Connector Compatible to High Speed  
Differential Transmission

CONNECTOR

MB-0141-2

July 2006

**FI-D Series****RoHS Compliant**

The FI-D series are high speed differential transmission connectors for LCD panel.

**Features**

- Ground condition is reinforced to improve EMI characteristics.
- Soldering connection of plug side is possible at once.  
(compatible to twin coaxial and discrete cable)
- Height variations for receptacle, can be selected from 4 heights.  
Mating height: 4.40mm, 7.35mm, 8.50mm, and 9.35 mm

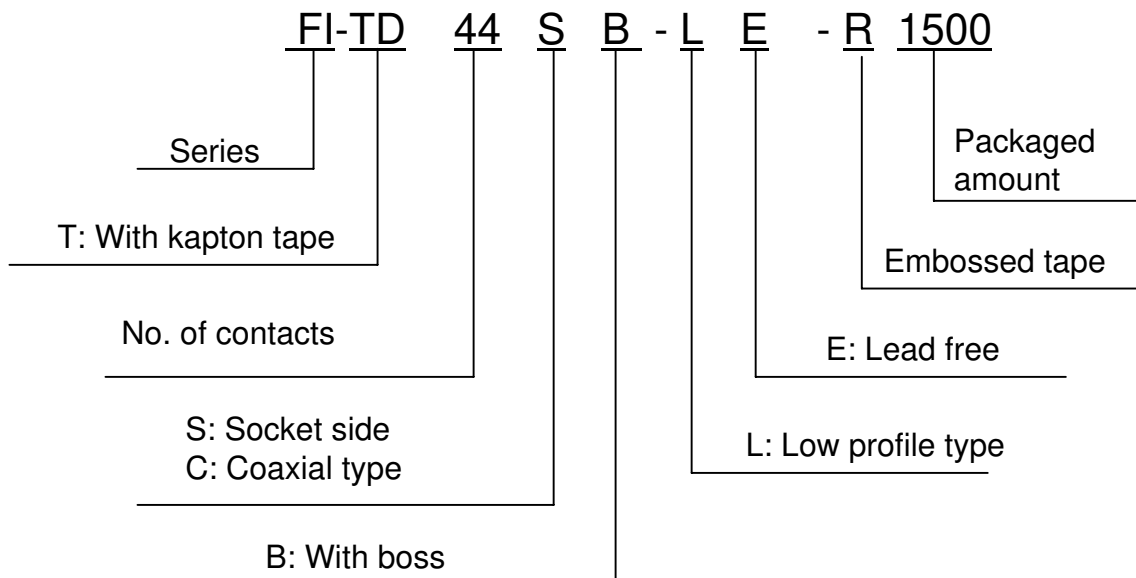
**General Specifications**

- No. of contacts :44 pos.
- Contact resistance: 70m ohm max.
- Dielectric withstanding voltage: 500Vr.m.s per minute
- Operating temperature: -40 Deg. C to +85 Deg. C
- Rated current: 0.5A /1pin
- Lifetime: 30 times
- Applicable cable: Contact No. 1 to 17 Discrete (AWG #40) or Coaxial (AWG #40)  
Contact No. 18 to 44 Twin-Coaxial (AWG #32)

Materials and Finishes

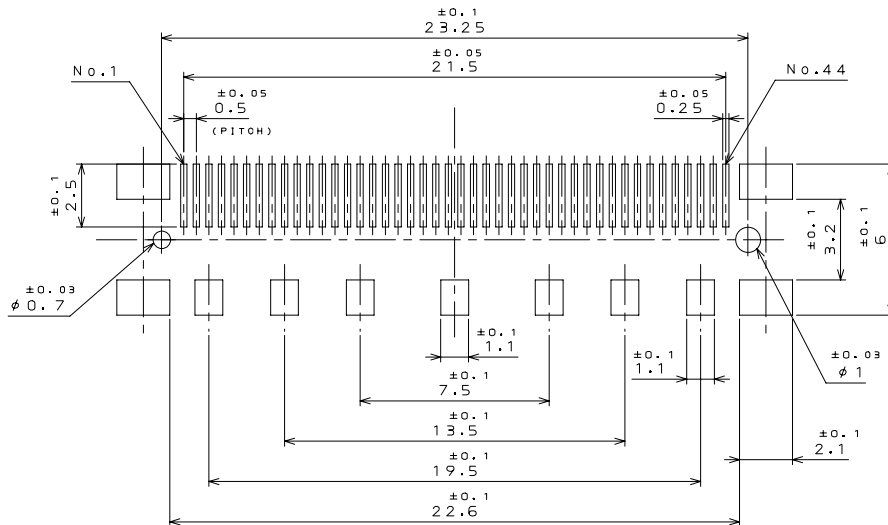
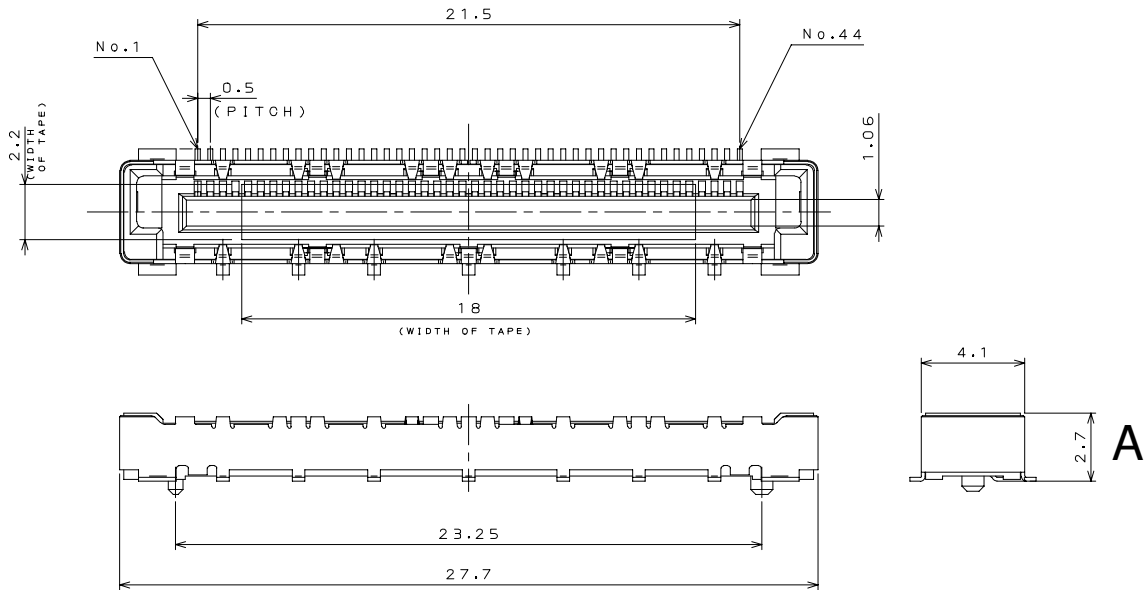
Components	Materials /Finishes
Receptacle	
Contact	Copper Alloy/ Contact area: 0.76um min. Au plating over Ni Terminal area: Sn plating over Ni
Insulator	Thermoplastic resin UL94V-0 black
Shell	Stainless steel: Sn plating
Plug	
Contact	Copper Alloy/ Contact area: 0.76um min. Au plating over Ni Terminal area: Sn or Au flash plating over Ni
Insulator	Thermoplastic resin UL94V-0 black
Shell	Copper alloy: Sn plating
Shell (plug side)	
Shell	Stainless steel: Sn plating over Ni

Ordering Information



# Receptacle side: FI-TD44SB-LE (SJ101013)

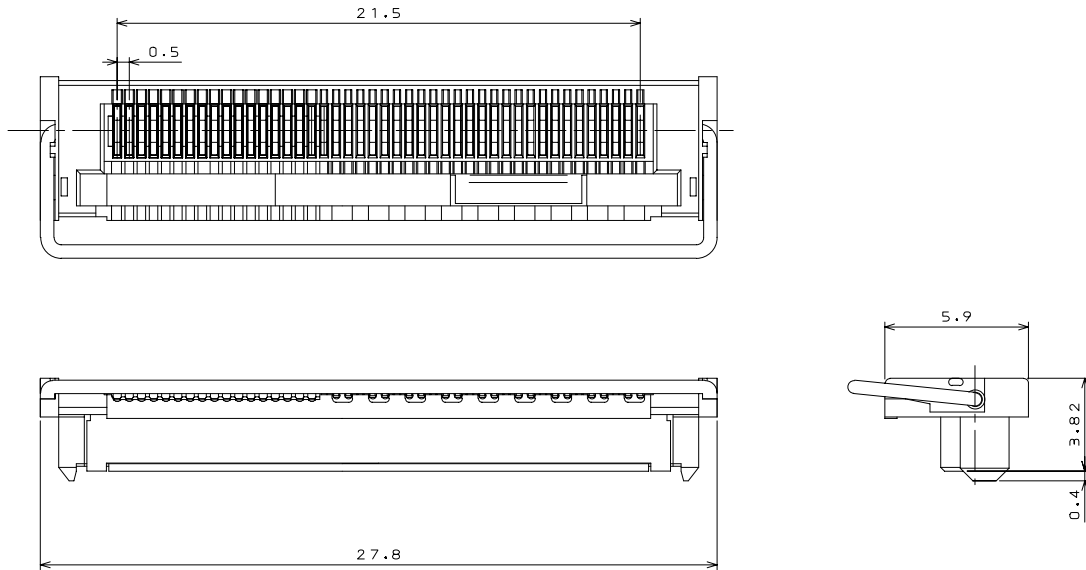
## Emboss packaged product: FI-TD44SB-LE-R1500 (SJ101015)



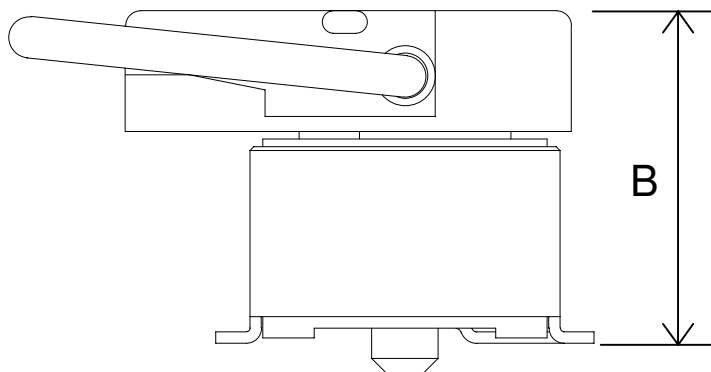
Unit: mm

Part Number	SJ Drawing	Dimension A	Dimension B
FI-TD44SB-VF93 (-R750)	SJ100866 (SJ100867)	7.65	9.35
FI-TD44SB-VF85 (-R750)	SJ102166 (SJ102167)	6.80	8.50
FI-TD44SB-E (-R750)	SJ101238 (SJ101239)	5.65	7.35
FI-TD44SB-LE (-R1500)	SJ101013 (SJ101015)	2.70	4.40

# Plug side: FI-D44C2-E (SJ101236)



## Mating height



Unit: mm

Part Number	SJ Drawing
FI-D44C2-E	SJ101236
FI-D44C2-SH-BE-8000	SJ101237

**Notice:** Products shown in this leaflet are made for the applications listed below. However, if the above-mentioned products are to be used in aerospace devices, marine cable-connection devices, atomic power control systems, medical equipment for life-support systems, or any other specific application requiring extremely high reliability, please contact JAE for further information.  
 Recommended applications: computers, office machines, measuring devices, telecommunication devices (terminals, mobile devices), AV devices, household applications, FA devices, etc.

## Japan Aviation Electronics Industry, Limited

Product Marketing Division  
 Aobadai Building, 3-1-19, Aobadai, Meguro-ku, Tokyo 153-8539  
 Phone: +81-3-3780-2787 FAX: +81-3-3780-2946