



Chipsmall Limited consists of a professional team with an average of over 10 year of expertise in the distribution of electronic components. Based in Hongkong, we have already established firm and mutual-benefit business relationships with customers from,Europe,America and south Asia,supplying obsolete and hard-to-find components to meet their specific needs.

With the principle of “Quality Parts,Customers Priority,Honest Operation,and Considerate Service”,our business mainly focus on the distribution of electronic components. Line cards we deal with include Microchip,ALPS,ROHM,Xilinx,Pulse,ON,Everlight and Freescale. Main products comprise IC,Modules,Potentiometer,IC Socket,Relay,Connector.Our parts cover such applications as commercial,industrial, and automotives areas.

We are looking forward to setting up business relationship with you and hope to provide you with the best service and solution. Let us make a better world for our industry!



Contact us

Tel: +86-755-8981 8866 Fax: +86-755-8427 6832

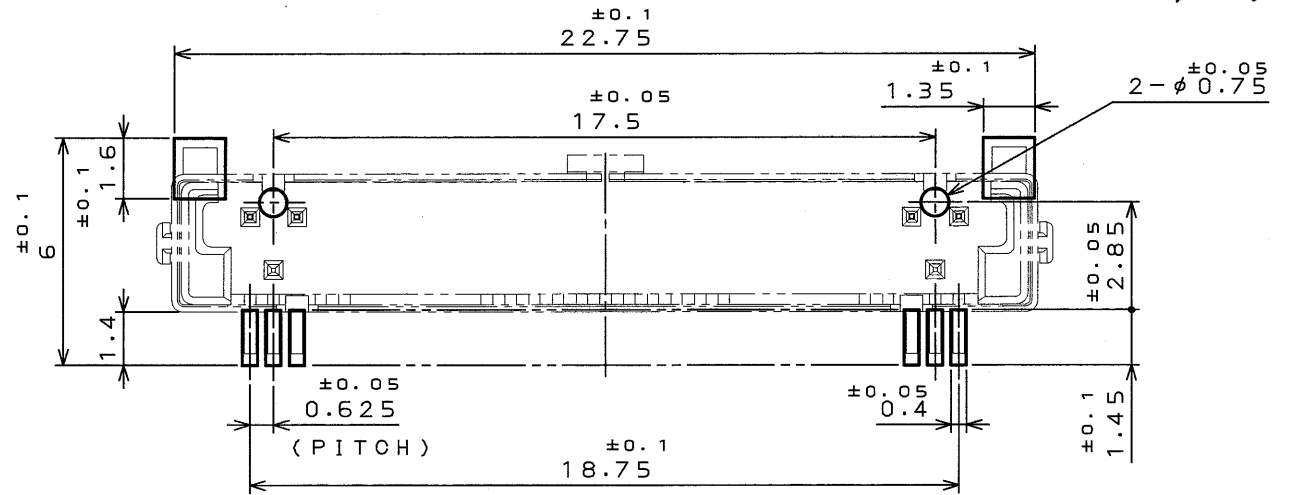
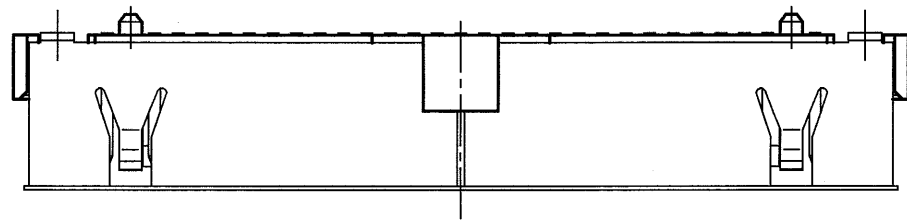
Email & Skype: info@chipsmall.com Web: www.chipsmall.com

Address: A1208, Overseas Decoration Building, #122 Zhenhua RD., Futian, Shenzhen, China

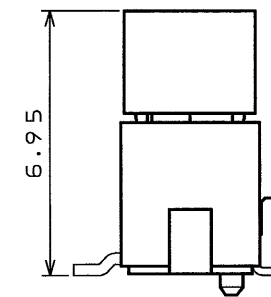
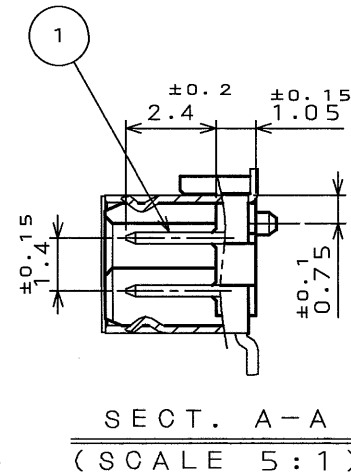
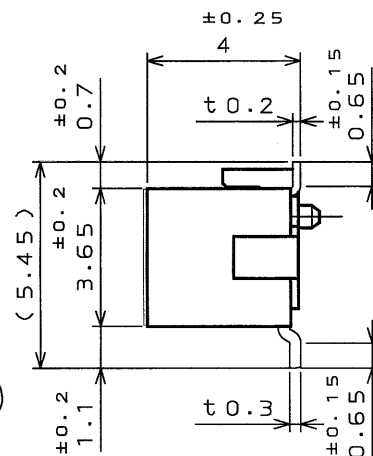
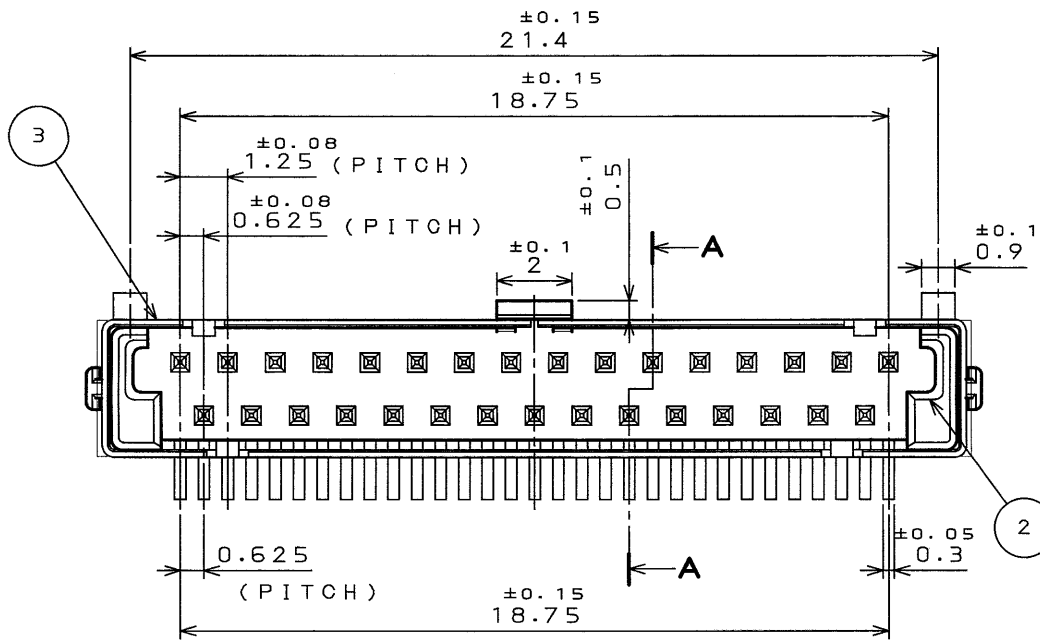


SJ032705
('ON 0NIMVARD) 台要図

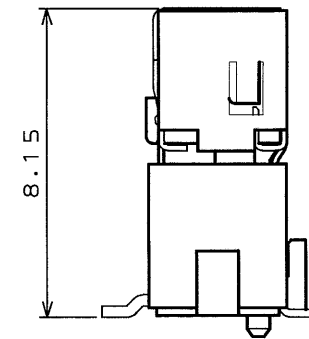
版数 REV.	年月日 DATE	DCN NO.	変更内容 DESCRIPTION	製図 DR.	担当 CHK.	査閲 APPD.	承認 APPD.
2	31.Mar.1999	43822	ADDED STAMP(CAMPANY LOGO "JAE")	M.ABE	M.KIKUCHI	K.HISATOMI	H.AMEMIYA
3	18.Apr.2002	49883	CORRECTED INSULATOR MATERIAL インシュレータ材料変更		M.KIKUCHI	A.KIMURA	H.AMEMIYA
4	24.Jun.2003	52359	CORRECTED SHELL PLATING SPECIFICATION シェルメッキ仕様修正	M.TANAKA	M.KIKUCHI	A. Kimura	H. Amemiya



APPLICABLE P.C.B. DIMENSION (REF.)
適合基板寸法 (参考)



(A) FI-W31S (SJ030619)
(GRIP TYPE WITHOUT SHELL)



(B) FI-WE31MV (SJ033187) △
(FPC RELAY TYPE WITH SHELL)

MATED CONDITION (REF.)
嵌合状態図 (参考)

符号 NO.	名称 DESCRIPTION	個数 QTY.	材料 MATERIAL	仕上 FINISH	備考 REMARKS
4	HEAT RESISTING TAPE	1	PI.		t0.05
3	SHELL	1	COPPER ALLOY	TIN PLATING △	
2	INSULATOR	1	GLASS FILLED LCP △		UL94V-0 BLACK
1	CONTACT	31	COPPER ALLOY	GOLD OVER NICKEL	
仕様書 (SPECIFICATION)		第1版 (ORIGINAL DATE) 12.Mar.1998		尺 (SCALE) 5:1	
公差 (GENERAL TOLERANCE)		製図 DR.		名称 (TITLE) FI-TWE31P*-VF	
寸法 (DIMENSION)		担当 CHK. M.KIKUCHI		JAE CONNECTOR.COM Reference Only JAPAN AVIATION ELECTRONICS INDUSTRY, LTD.	
角度 (ANGLES)		査閲 APPD. K.HAYASHI			
.		承認 APPD. H.FUJINO			
.X ±0.8				重量 (WEIGHT)	
.XX ±0.4				図面番号 (DRAWING NO.) SJ032705	
.XXX ±0.1				版数 (REV.) 4	
.XXX ±					

NOTE 1. WITHOUT BOSS: FI-TWE31P-VF
WITH BOSS: FI-TWE31PB-VF
1. ボス無し品名: FI-TWE31P-VF
ボス有り品名: FI-TWE31PB-VF

DOF-0-212D(98.02)



CDS-98-180-10748

SIZE A3