



Chipsmall Limited consists of a professional team with an average of over 10 year of expertise in the distribution of electronic components. Based in Hongkong, we have already established firm and mutual-benefit business relationships with customers from,Europe,America and south Asia,supplying obsolete and hard-to-find components to meet their specific needs.

With the principle of “Quality Parts,Customers Priority,Honest Operation,and Considerate Service”,our business mainly focus on the distribution of electronic components. Line cards we deal with include Microchip,ALPS,ROHM,Xilinx,Pulse,ON,Everlight and Freescale. Main products comprise IC,Modules,Potentiometer,IC Socket,Relay,Connector.Our parts cover such applications as commercial,industrial, and automotives areas.

We are looking forward to setting up business relationship with you and hope to provide you with the best service and solution. Let us make a better world for our industry!



## Contact us

Tel: +86-755-8981 8866 Fax: +86-755-8427 6832

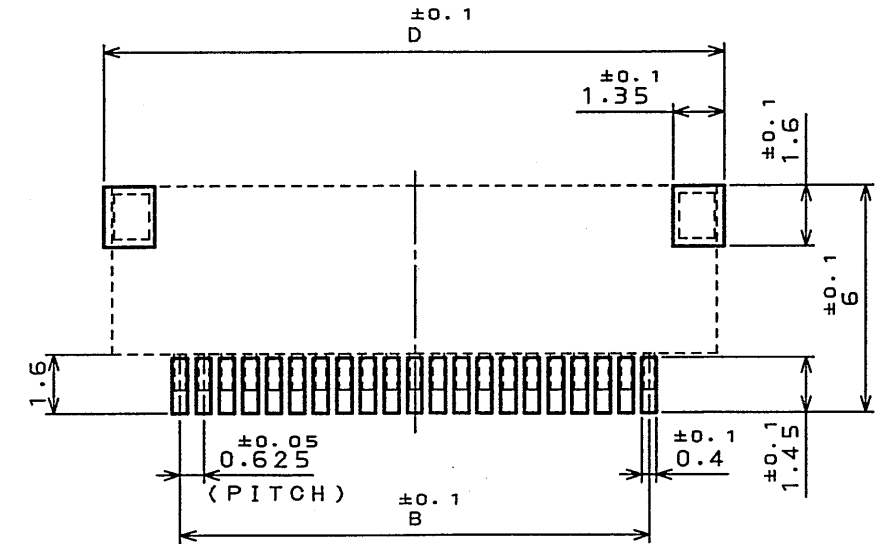
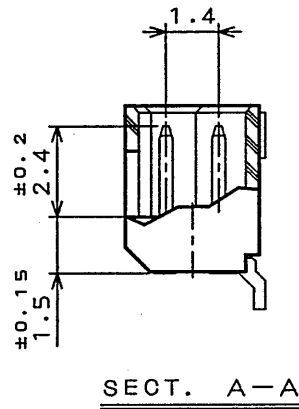
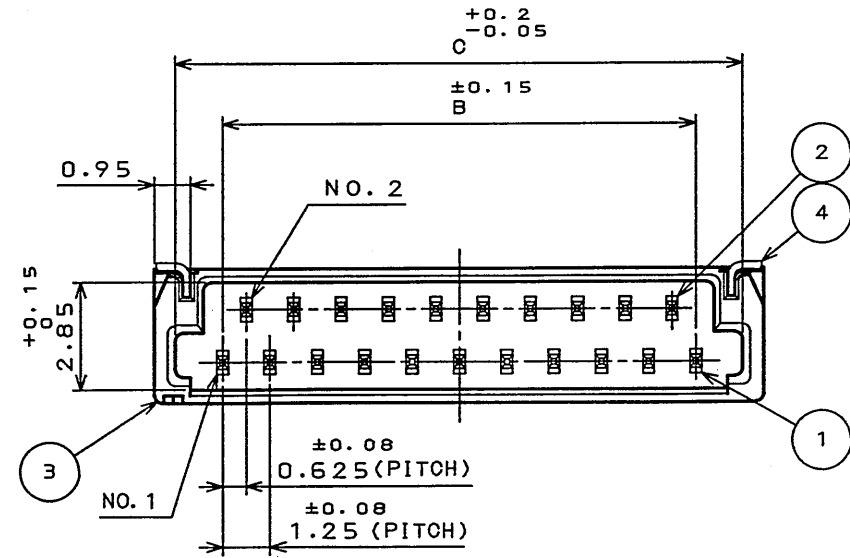
Email & Skype: info@chipsmall.com Web: www.chipsmall.com

Address: A1208, Overseas Decoration Building, #122 Zhenhua RD., Futian, Shenzhen, China



SJ100643  
 (図面番号)(DRAWING NO.)

版数 REV.	年月日 DATE	DCN NO.	変更内容 DESCRIPTION	製図 DR.	担当 CHK.	査閲 APPD.	承認 APPD.



P.C.B. PATTERN DIMENSION(REF.)  
 基板パターン寸法(参考)

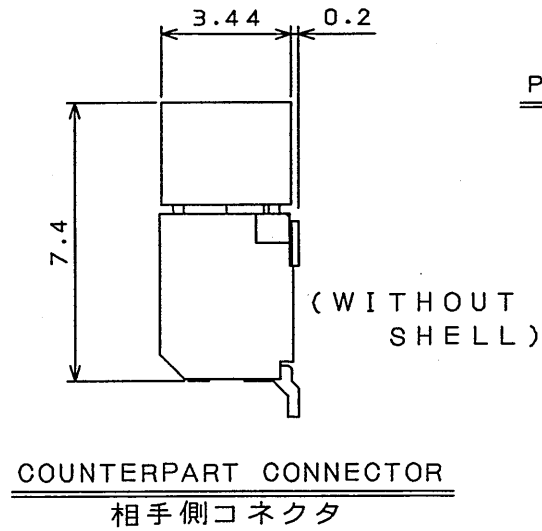
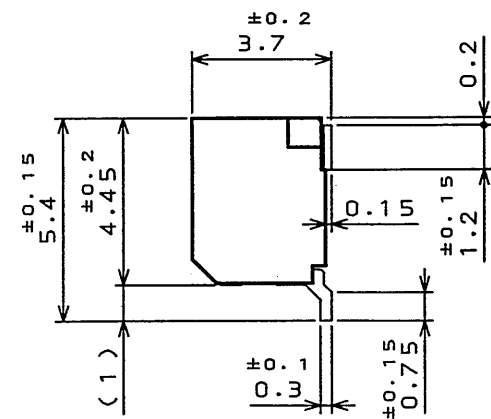
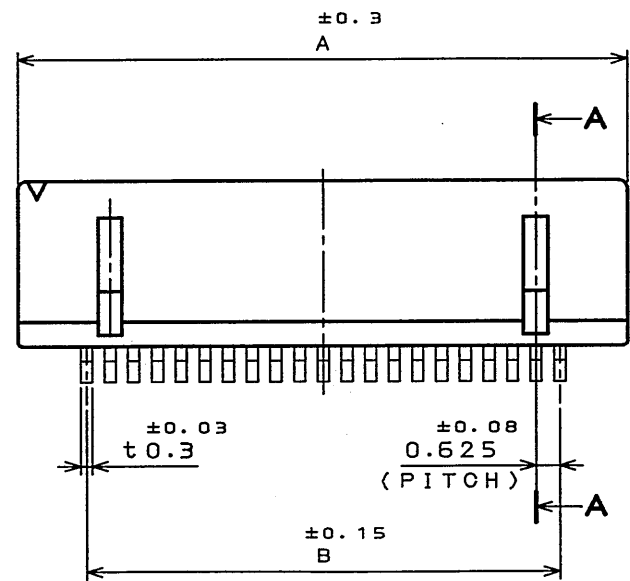


TABLE 1

DIMENSION NO. OF CONTACTS (N)	A	B	C	D
13	11.10	7.50	10.00	11.50
15	12.35	8.75	11.25	12.75
17	13.60	10.00	12.50	14.00
19	14.85	11.25	13.75	15.25
21	16.10	12.50	15.00	16.50
31	22.35	18.75	21.25	22.75
41	28.60	25.00	27.50	29.00

4	HOLD DOWN	2	COPPER ALLOY	TIN OVER NICKEL	
3	INSULATOR	1	GLASS FILLED PPS		UL94V-0 BLACK
2	CONTACT2	(N-1)/2	COPPER ALLOY	GOLD OVER NICKEL	TERMINAL AREA: TIN/TIN ALLOY OVER NICKEL
1	CONTACT1	(N+1)/2	COPPER ALLOY	GOLD OVER NICKEL	TERMINAL AREA: TIN/TIN ALLOY OVER NICKEL
符号 NO.	名称 DESCRIPTION	個数 QTY.	材料 MATERIAL	仕上 FINISH	備考 REMARKS

仕様書 (SPECIFICATION)		第1版 (ORIGINAL DATE) 28.Jan.2004		尺 (SCALE) 5:1 系列 (SERIES) FI		日本航空電子工業株式会社 JAPAN AVIATION ELECTRONICS INDUSTRY, LTD.	
一般公差 (GENERAL TOLERANCE)		製図 DR. H.SAKURADA		名称 (TITLE) FI-W***P-HFE		ELECTRONICS INDUSTRY, LTD.	
寸法 (DIMENSION)		担当 CHK. T.YAMAJI		重量 (WEIGHT)		図面番号 (DRAWING NO.) SJ100643	
角度 (ANGLES)		査閲 APPD. M. Suzuki		承認 APPD. Y. Ishigama		版数 (REV.) 1	
· ±0.8	×° ±						
·X ±0.4	××' ±						
·XX ±0.1							
·XXX ±							

LEAD FREE この製品は鉛フリー品です

DOF-0-212E(03.08)

