



Chipsmall Limited consists of a professional team with an average of over 10 year of expertise in the distribution of electronic components. Based in Hongkong, we have already established firm and mutual-benefit business relationships with customers from,Europe,America and south Asia,supplying obsolete and hard-to-find components to meet their specific needs.

With the principle of “Quality Parts,Customers Priority,Honest Operation,and Considerate Service”,our business mainly focus on the distribution of electronic components. Line cards we deal with include Microchip,ALPS,ROHM,Xilinx,Pulse,ON,Everlight and Freescale. Main products comprise IC,Modules,Potentiometer,IC Socket,Relay,Connector.Our parts cover such applications as commercial,industrial, and automotives areas.

We are looking forward to setting up business relationship with you and hope to provide you with the best service and solution. Let us make a better world for our industry!



## Contact us

Tel: +86-755-8981 8866 Fax: +86-755-8427 6832

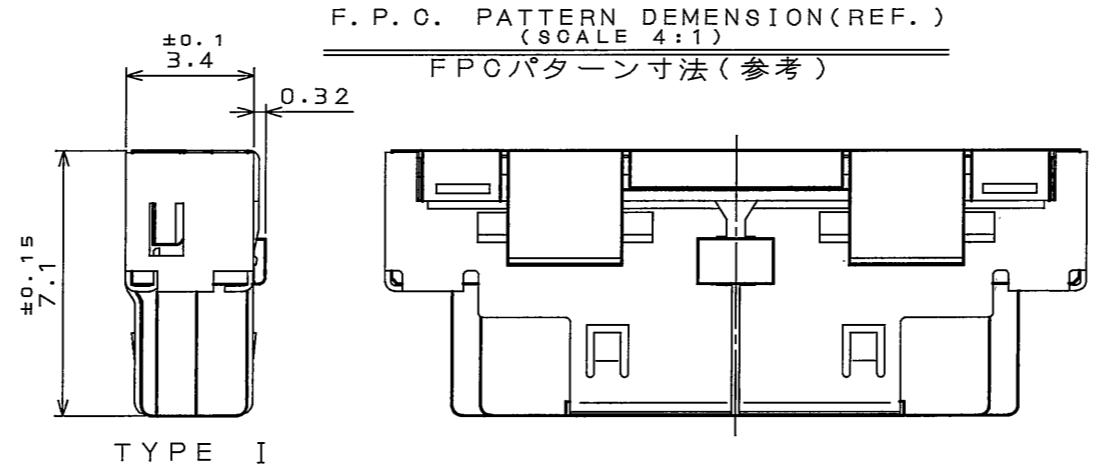
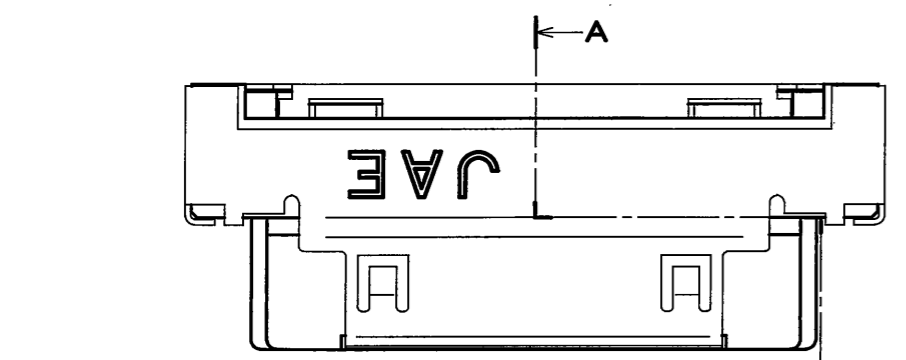
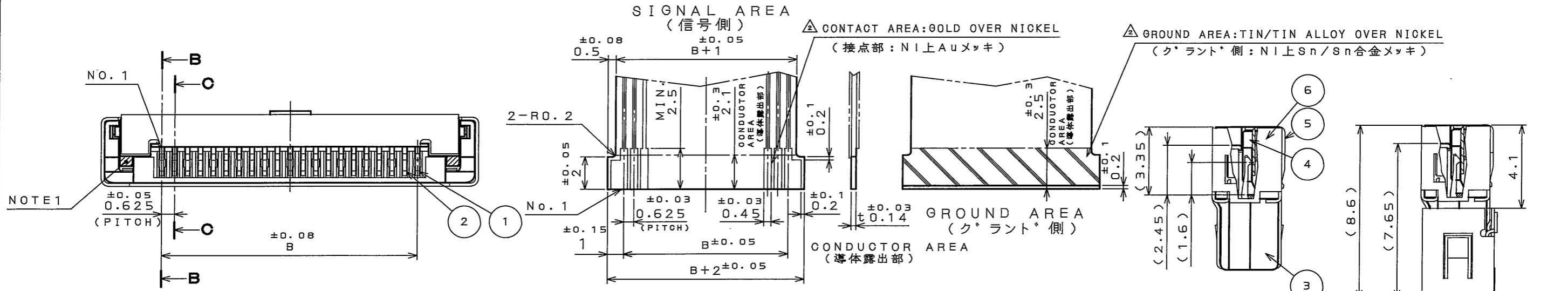
Email & Skype: info@chipsmall.com Web: www.chipsmall.com

Address: A1208, Overseas Decoration Building, #122 Zhenhua RD., Futian, Shenzhen, China



0Z8001RS  
(ON 0NIMVHD)台要理図

版数 REV.	年月日 DATE	DCN NO.	変更内容 DESCRIPTION	製図 DR.	担当 CHK.	査閲 APPD.	承認 APPD.
2	27.Jan.2005	056608	PLATING SPECIFICATION ADDITION		M.YAMASHITA	M. Suzuki	K. Hiramoto



SECT. A-A  
(SCALE 5:1)  
COUNTERPART CONNECTOR  
相手側コネクタ

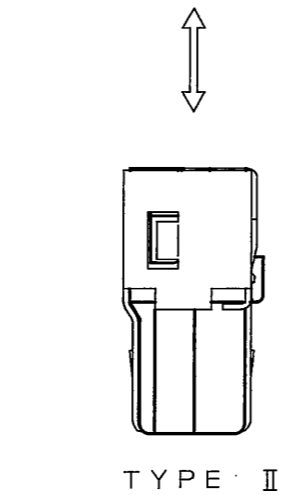
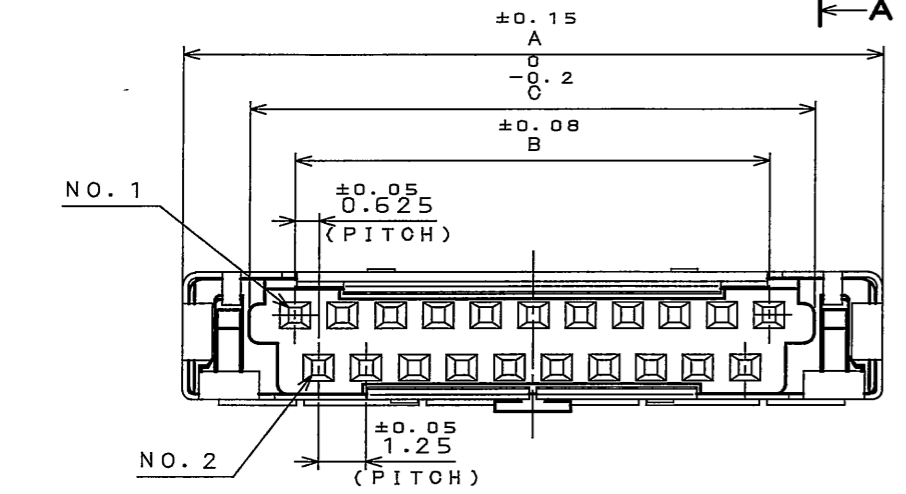


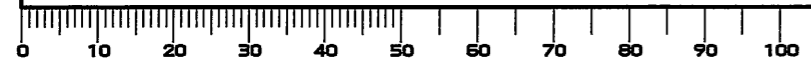
TABLE 1

DIMENSION	A	B	C	SHELL FORM	INSULATOR MATERIAL	NOTE 1
21	18.5	12.5	14.9	TYPE I	GLASS FILLED PPS	WITH BOSS
31	24.75	18.75	21.15	TYPE II	GLASS FILLED PBT	WITHOUT BOSS

符号 NO.	名称 DESCRIPTION	個数 QTY.	材料 MATERIAL	仕上 FINISH	備考 REMARKS
6	SHELL 2	1	COPPER ALLOY	TIN	
5	SHELL 1	1	COPPER ALLOY	TIN	
4	SLIDER	1	GLASS FILLED PPS		UL94V-0
3	INSULATOR	1	TABLE 1		UL94V-0
2	CONTACT2	(N-1)/2	COPPER ALLOY	GOLD OVER NICKEL	FPO AREA: GOLD OVER NICKEL
1	CONTACT1	(N+1)/2	COPPER ALLOY	GOLD OVER NICKEL	FPO AREA: GOLD OVER NICKEL

仕様書 (SPECIFICATION)	第1版 (ORIGINAL DATE) 8.Mar.2004	尺度 (SCALE) 5:1	シリーズ (SERIES) FI-WE**MA1	日本航空電子工業株式会社 JAPAN AVIATION ELECTRONICS INDUSTRY, LTD.
製図 DR.	H.YOKOO	名称 (TITLE)		
公差 (GENERAL TOLERANCE)	担当 CHK. T.YAMAJI			
寸法 (DIMENSION)	査閲 APPD. M.SUZUKI			
角度 (ANGLES)	承認 APPD. Y.ICHIYAMA			
質量 (MASS) FI				図面番号 (DRAWING NO.) SJ100820

DOF-0-212E(03.08)



LEAD FREE この製品は鉛フリー品です