



Chipsmall Limited consists of a professional team with an average of over 10 year of expertise in the distribution of electronic components. Based in Hongkong, we have already established firm and mutual-benefit business relationships with customers from,Europe,America and south Asia,supplying obsolete and hard-to-find components to meet their specific needs.

With the principle of “Quality Parts,Customers Priority,Honest Operation,and Considerate Service”,our business mainly focus on the distribution of electronic components. Line cards we deal with include Microchip,ALPS,ROHM,Xilinx,Pulse,ON,Everlight and Freescale. Main products comprise IC,Modules,Potentiometer,IC Socket,Relay,Connector.Our parts cover such applications as commercial,industrial, and automotives areas.

We are looking forward to setting up business relationship with you and hope to provide you with the best service and solution. Let us make a better world for our industry!



## Contact us

Tel: +86-755-8981 8866 Fax: +86-755-8427 6832

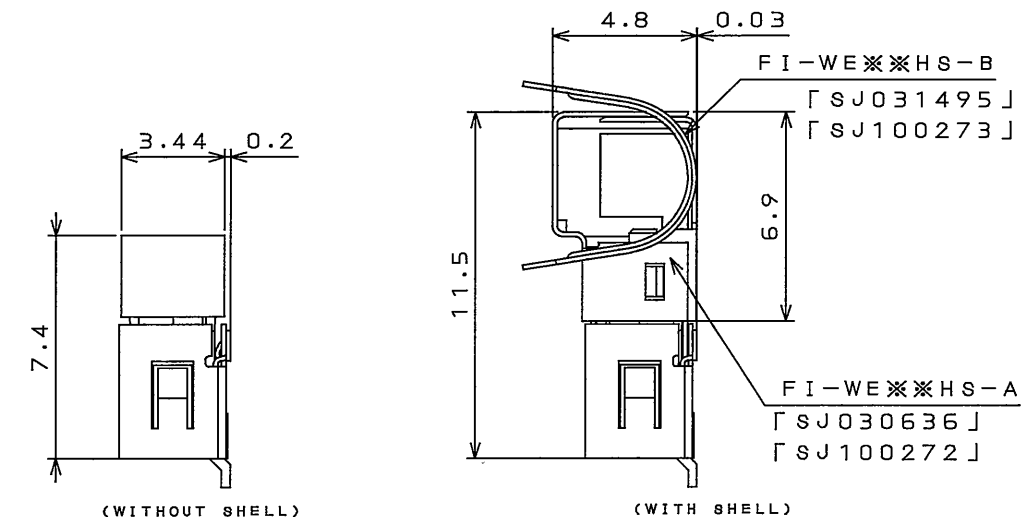
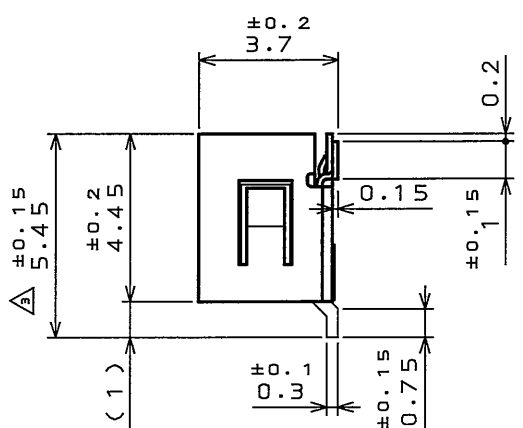
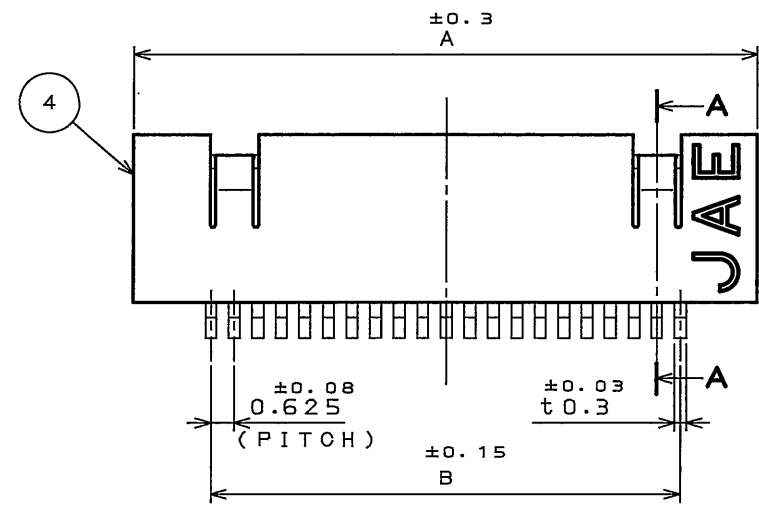
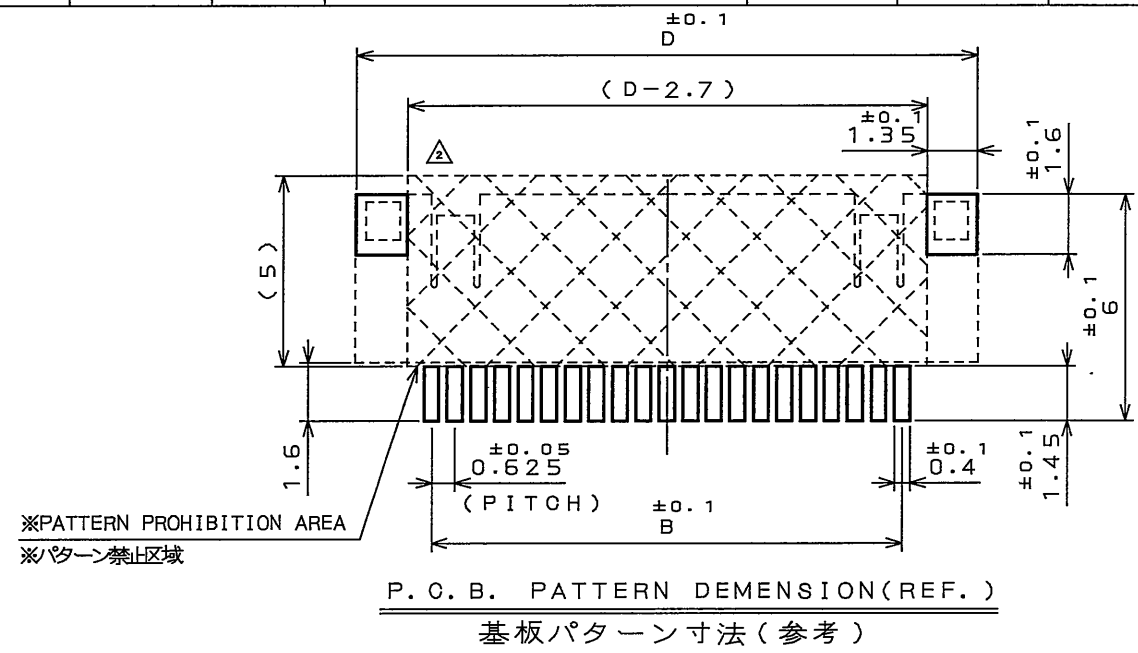
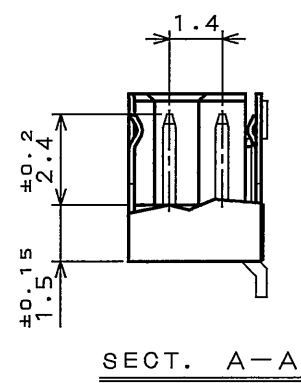
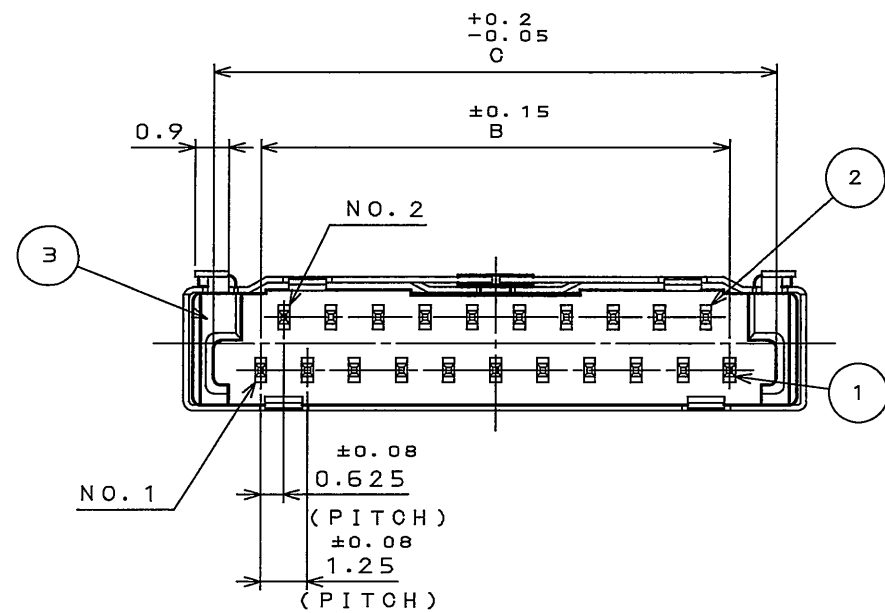
Email & Skype: info@chipsmall.com Web: www.chipsmall.com

Address: A1208, Overseas Decoration Building, #122 Zhenhua RD., Futian, Shenzhen, China



909001RS  
 ( 'ON 0NIMVHD ) 台 号 理 图

版 数 REV.	年 月 日 DATE	DCN NO.	変 更 内 容 DESCRIPTION	製 図 DR.	担 当 CHK.	査 閲 APPD.	承 認 APPD.
2	22.Apr.2005	057230	ADD PATTERN PROHIBITION AREA パターン禁止区域追加		M.YAMASHITA	M.SUZUKI	H.AMEMIYA
3	25.Apr.2006	059866	REVISED DIMENSION 寸法変更		M.YAMASHITA	M. Suzuki	K. Hatomi



COUNTERPART CONNECTOR  
 (SCALE 4:1)  
 相手側コネクタ

TABLE 1

DIMENSION NO. OF CONTACTS(N)	A	B	C	D
21	16.55	12.5	15	16.5
31	22.8	18.75	21.25	22.75

4	SHELL	1	COPPER ALLOY	TIN OVER NICKEL	
3	INSULATOR	1	GLASS FILLED PPS		UL94V-0 BLACK
2	CONTACT2	(N-1)/2	COPPER ALLOY	GOLD OVER NICKEL	TERMINAL AREA: (LEAD FREE)TIN/TIN ALLOY
1	CONTACT1	(N+1)/2	COPPER ALLOY	GOLD OVER NICKEL	TERMINAL AREA: (LEAD FREE)TIN/TIN ALLOY
符号 NO.	名 称 DESCRIPTION	個 数 QTY.	材 料 MATERIAL	仕 上 FINISH	備 考 REMARKS

仕様書(SPECIFICATION)		第1版(ORIGINAL DATE) 22.Jan.2004		尺 度(SCALE) 5:1		シ リーズ(SERIES) FI		日本航空電子工業株式会社 JAPAN AVIATION ELECTRONICS INDUSTRY, LTD.	
一般公差(GENERAL TOLERANCE)		製 図 DR. H.YOKOO		名 称(TITLE) FI-WE**P-HFE		図面番号(DRAWING NO.) SJ100606		版数 (REV.) 3	
寸法(DIMENSION)		担 当 CHK. T.YAMAJI		査 閲 APPD. M.SUZUKI		質量(MASS)			
角度(ANGLES)		承 認 APPD. Y.ICHIYAMA							
. ±0.8									
.X ±0.4									
.XX ±0.1									
.XXX ±									

DOF-0-212F(05.08)

