



Chipsmall Limited consists of a professional team with an average of over 10 year of expertise in the distribution of electronic components. Based in Hongkong, we have already established firm and mutual-benefit business relationships with customers from,Europe,America and south Asia,supplying obsolete and hard-to-find components to meet their specific needs.

With the principle of “Quality Parts,Customers Priority,Honest Operation,and Considerate Service”,our business mainly focus on the distribution of electronic components. Line cards we deal with include Microchip,ALPS,ROHM,Xilinx,Pulse,ON,Everlight and Freescale. Main products comprise IC,Modules,Potentiometer,IC Socket,Relay,Connector.Our parts cover such applications as commercial,industrial, and automotives areas.

We are looking forward to setting up business relationship with you and hope to provide you with the best service and solution. Let us make a better world for our industry!



Contact us

Tel: +86-755-8981 8866 Fax: +86-755-8427 6832

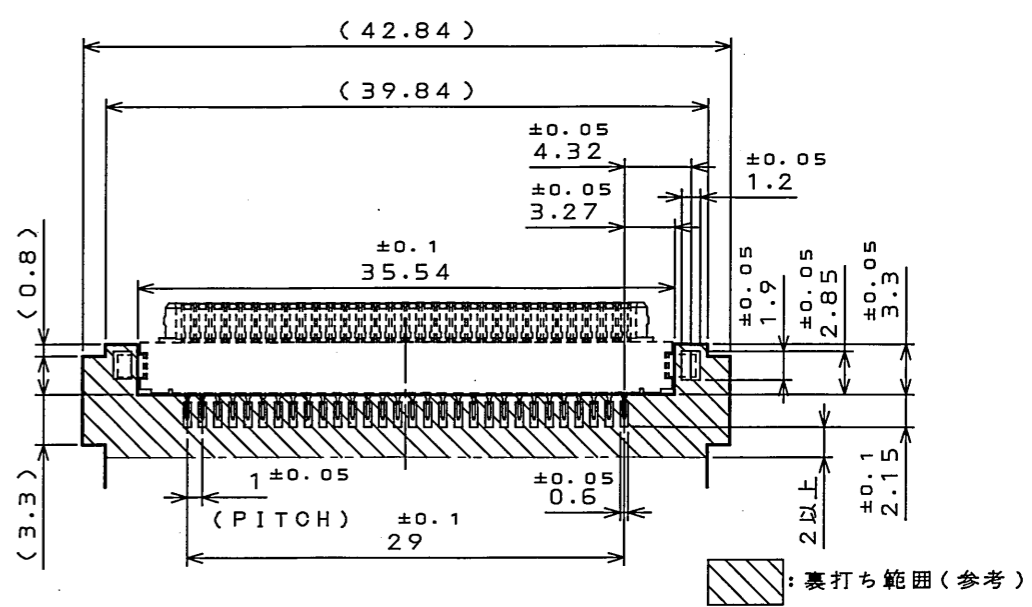
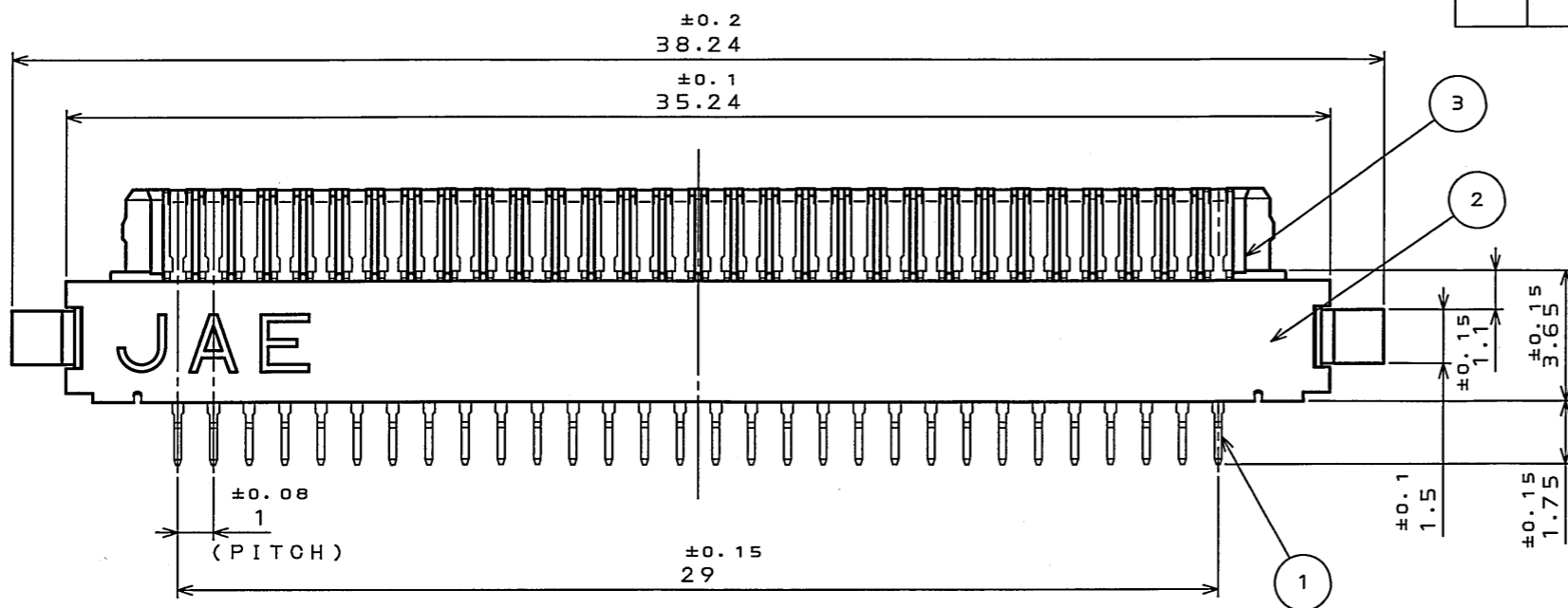
Email & Skype: info@chipsmall.com Web: www.chipsmall.com

Address: A1208, Overseas Decoration Building, #122 Zhenhua RD., Futian, Shenzhen, China

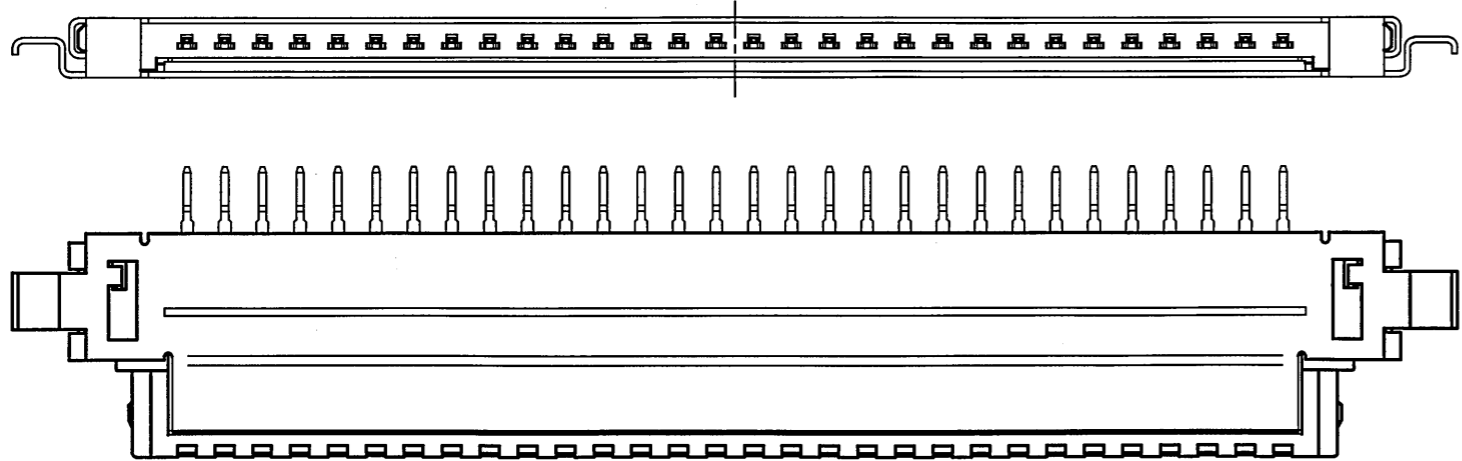
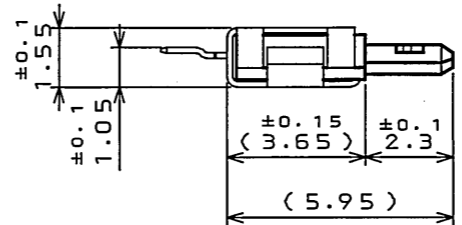


981ZE0PS
('ON 0NIMVHO)台架裏図

版数 REV.	年月日 DATE	DCN NO.	変更内容 DESCRIPTION	製図 DR.	担当 CHK.	査閲 APPD.	承認 APPD.
2	25.Jan.2005	056638	CHANGE OF THE FINISH	M.SUZUKI	M.KIKUCHI	M. Suzuki	K. Hiramatsu



APPLICABLE FPC DIMENSION (REF.)
適合FPC寸法(参考)

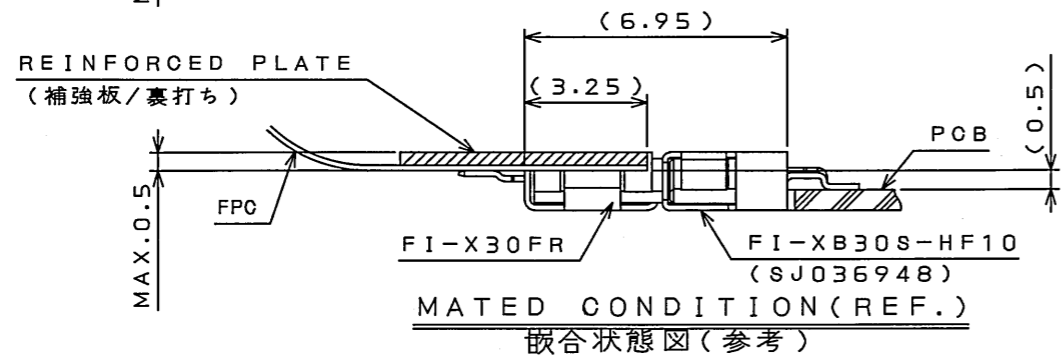
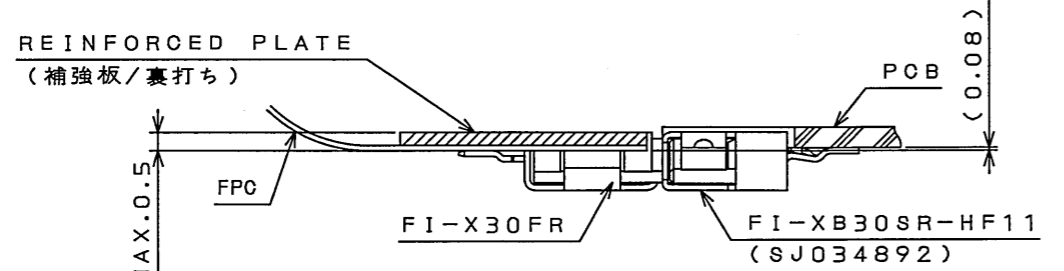


NOTE1. COPLANARITY BETWEEN TERMINAL AND HOLD DOWN OF SHELL SHOULD BE 0.1mm MAX.

注1. 端子及び、シェルホルドダウンの相互のバラツキは0.1以内である。

TABLE 1
表 1

CONTACT AREA 接点部	TERMINAL AREA 端子部
GOLD OVER NICKEL Ni上Au	TIN ALLOY OVER NICKEL Ni上Sn



3	INSULATOR インシュレータ	1	GLASS FILLED LCP ガラス入りLCP		COLOR: BLACK 色相: 黒
2	SHELL シェル	1	COPPER ALLOY 銅合金	TIN PLATING Snメッキ	UL94V-0
1	CONTACT コンタクト	30	COPPER ALLOY 銅合金	SEE TABLE 1 表1参照	
符号 NO.	名称 DESCRIPTION	個数 QTY.	材 料 MATERIAL	仕 上 FINISH	備 考 REMARKS
仕様書 (SPECIFICATION)		第1版 (ORIGINAL DATE) 26.Nov.2002		尺 度 (SCALE) 5: 1	シ リーズ (SERIES) FI-X
製 図 DR.		担 当 CHK. M.KIKUCHI		名 称 (TITLE) FI-X30FR	
公差差 (GENERAL TOLERANCE)		査 閲 APPD. A.KIMURA		日本航空電子工業株式会社 JAPAN AVIATION ELECTRONICS INDUSTRY, LTD.	
寸法 (DIMENSION)		承 認 APPD. Y.ICHYAMA			
角 度 (ANGLES)		質 量 (MASS)			
. ±0.8				図面番号 (DRAWING NO.) SJ037186	
.X ±0.4					
.XX ±0.1					
.XXX ±					
				版数 (REV.) 2	

DOF-0-212E(03.08)

