



Chipsmall Limited consists of a professional team with an average of over 10 year of expertise in the distribution of electronic components. Based in Hongkong, we have already established firm and mutual-benefit business relationships with customers from,Europe,America and south Asia,supplying obsolete and hard-to-find components to meet their specific needs.

With the principle of “Quality Parts,Customers Priority,Honest Operation,and Considerate Service”,our business mainly focus on the distribution of electronic components. Line cards we deal with include Microchip,ALPS,ROHM,Xilinx,Pulse,ON,Everlight and Freescale. Main products comprise IC,Modules,Potentiometer,IC Socket,Relay,Connector.Our parts cover such applications as commercial,industrial, and automotives areas.

We are looking forward to setting up business relationship with you and hope to provide you with the best service and solution. Let us make a better world for our industry!



## Contact us

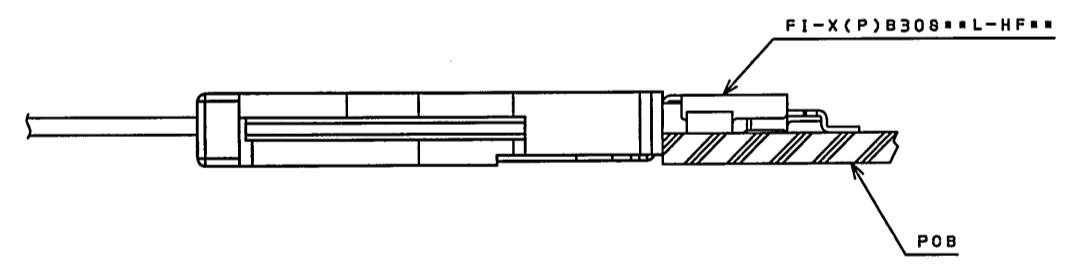
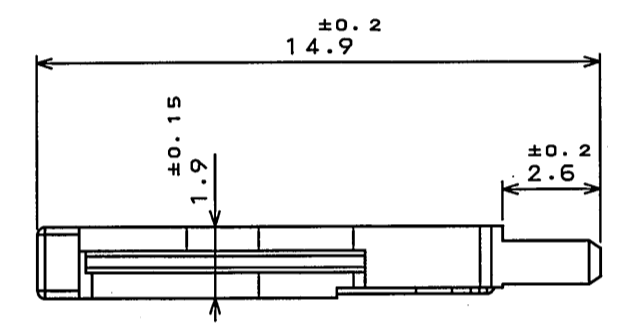
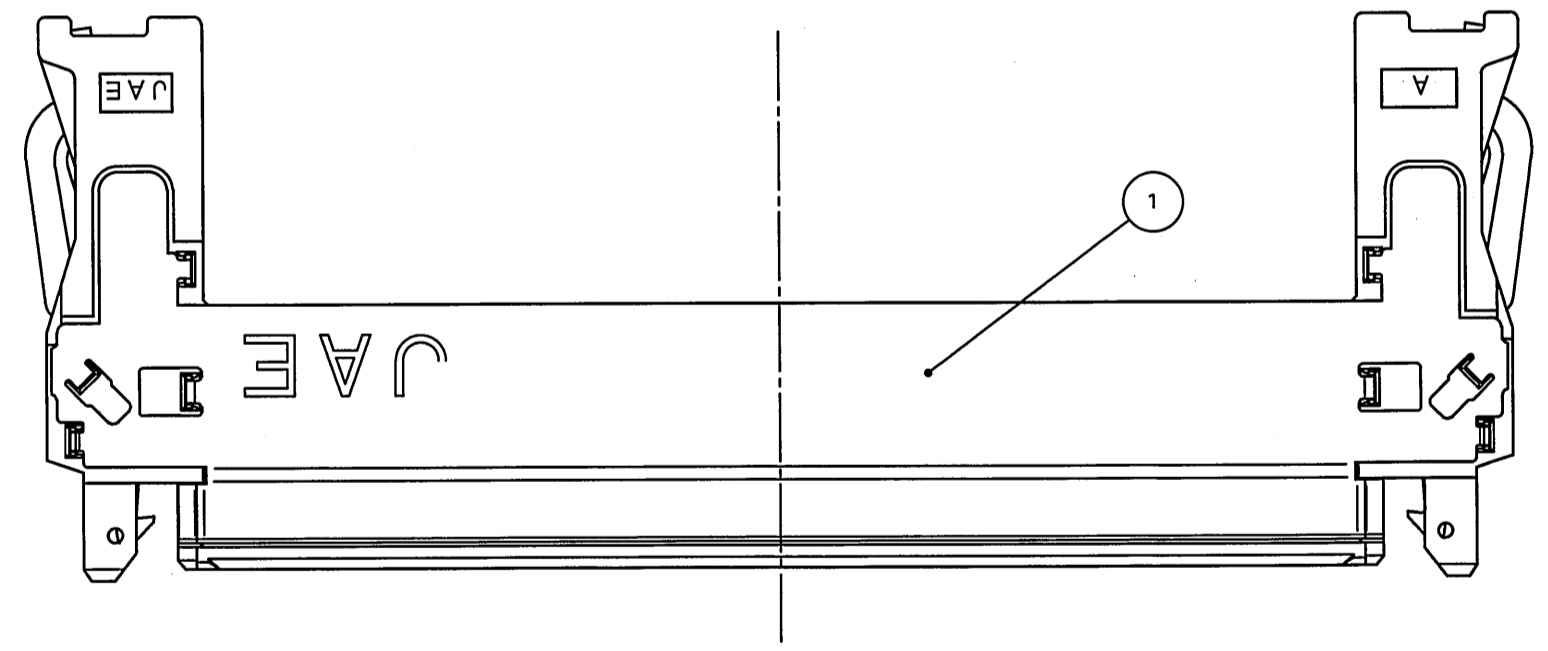
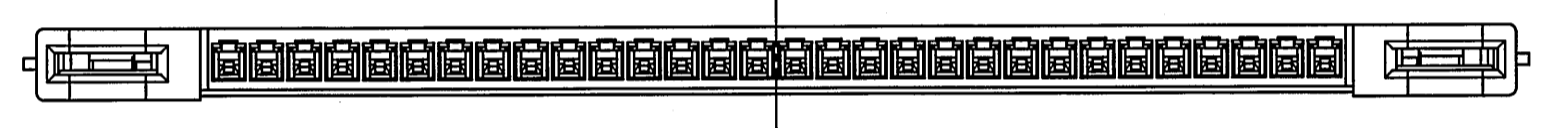
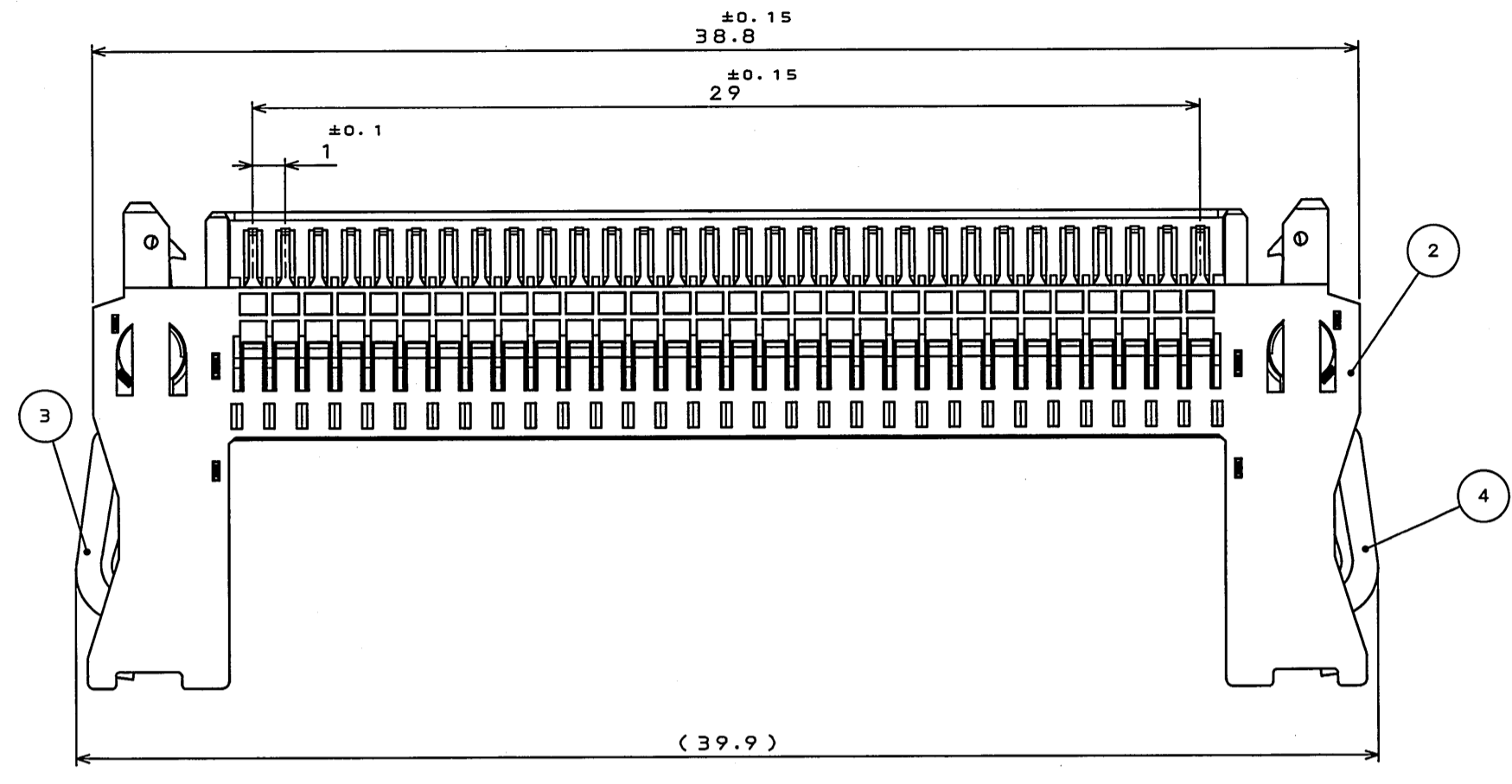
Tel: +86-755-8981 8866 Fax: +86-755-8427 6832

Email & Skype: info@chipsmall.com Web: www.chipsmall.com

Address: A1208, Overseas Decoration Building, #122 Zhenhua RD., Futian, Shenzhen, China



版数 REV.	年月日 DATE	図番 DON NO.	変更内容 DESCRIPTION	製図 DR.	担当 CHK.	査閲 APPD.	承認 APPD.

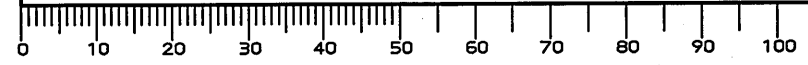


MATED CONDITION (REF.)  
嵌合状態図(参考)

NOTE1. Refer to Instruction manual JAHL-1597-5.  
注1. 取扱説明書JAHL-1597-5を参照してください。  
NOTE2. APPLICABLE CONTACT  
FI-XC3A-1-15000(SJ106017)  
or FI-XC3B-1-15000(SJ109584)  
注2. 適合コンタクトは下記コンタクトを使用して下さい。  
FI-XC3A-1-15000(SJ106017)  
又は FI-XC3B-1-15000(SJ109584)

符号 NO.	名称 DESCRIPTION	個数 QTY.	材料 MATERIAL	仕上 FINISH	備考 REMARKS
4	LOCK LEVER R	1	STAINLESS STEEL	—	—
3	LOCK LEVER L	1	STAINLESS STEEL	—	—
2	INSULATOR	1	HEAT RESISTING PLASTIC	—	BLACK
1	SHELL	1	STAINLESS STEEL	TIN PLATING	—
仕様書(SPECIFICATION) JAOS-1597-22 JAHL-1597-5		第1版(ORIGINAL DATE) 2.Jun.2011		尺度(SCALE) 5:1	シリーズ(SERIES) FI-X
一般公差(GENERAL TOLERANCE)		製図 DR.		名称(TITLE) FI-X30HL-B	
寸法(DIMENSION)		担当 CHK. T.TADA		製図 DR.	
角度(ANGLES)		査閲 APPD.		承認 APPD.	
. ± 0.8	X° ±	承認 APPD.		承認 APPD. K. Horaki	
.X ± 0.4	X°X' ±	承認 APPD.		承認 APPD.	
.XX ± 0.1		承認 APPD.		承認 APPD.	
.XXX ±		承認 APPD.		承認 APPD.	
公差(MASS)			図面番号(DRAWING NO.) SJ111287		

DOF-0-213F(05.08)



SIZE A2  
版数 (REV.) 1