



Chipsmall Limited consists of a professional team with an average of over 10 year of expertise in the distribution of electronic components. Based in Hongkong, we have already established firm and mutual-benefit business relationships with customers from,Europe,America and south Asia,supplying obsolete and hard-to-find components to meet their specific needs.

With the principle of "Quality Parts,Customers Priority,Honest Operation,and Considerate Service",our business mainly focus on the distribution of electronic components. Line cards we deal with include Microchip,ALPS,ROHM,Xilinx,Pulse,ON,Everlight and Freescale. Main products comprise IC,Modules,Potentiometer,IC Socket,Relay,Connector.Our parts cover such applications as commercial,industrial, and automotives areas.

We are looking forward to setting up business relationship with you and hope to provide you with the best service and solution. Let us make a better world for our industry!



Contact us

Tel: +86-755-8981 8866 Fax: +86-755-8427 6832

Email & Skype: info@chipsmall.com Web: www.chipsmall.com

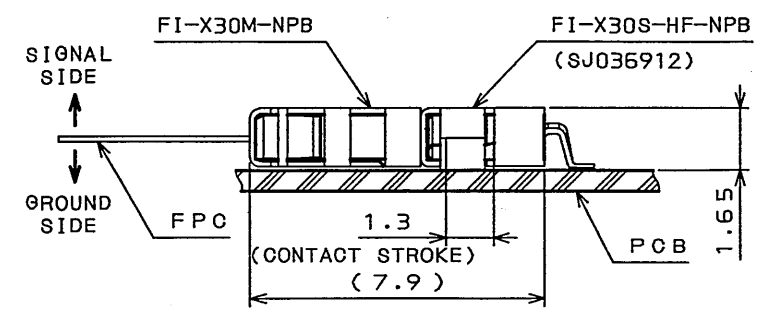
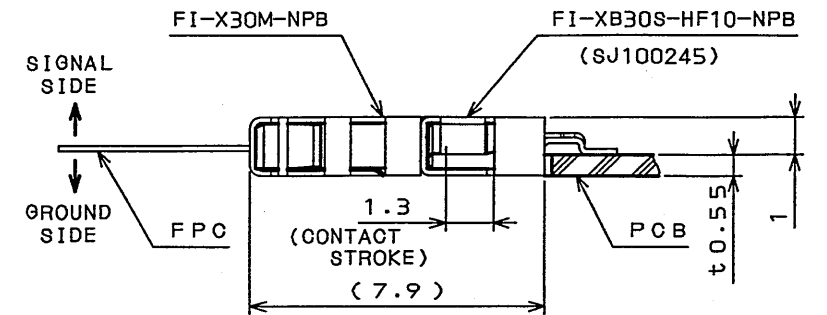
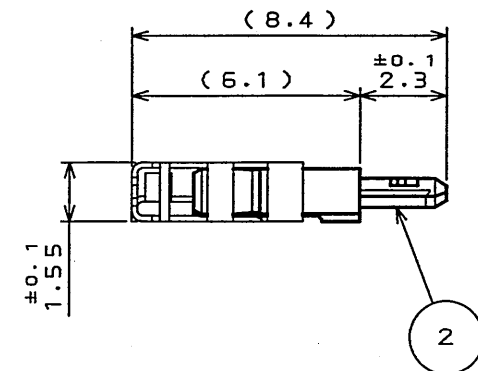
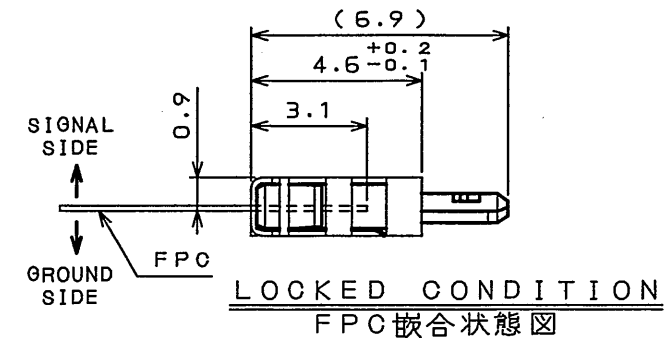
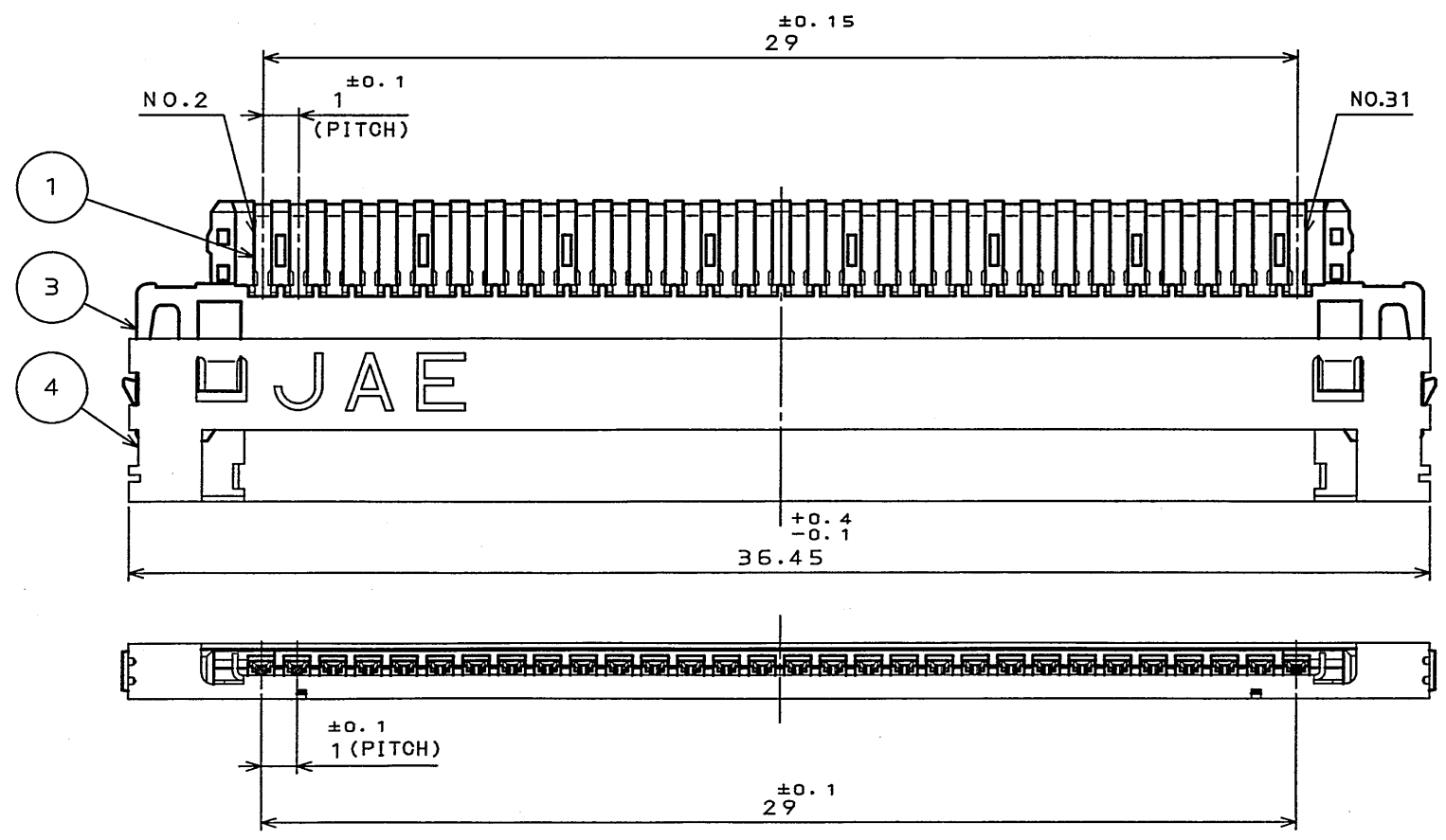
Address: A1208, Overseas Decoration Building, #122 Zhenhua RD., Futian, Shenzhen, China



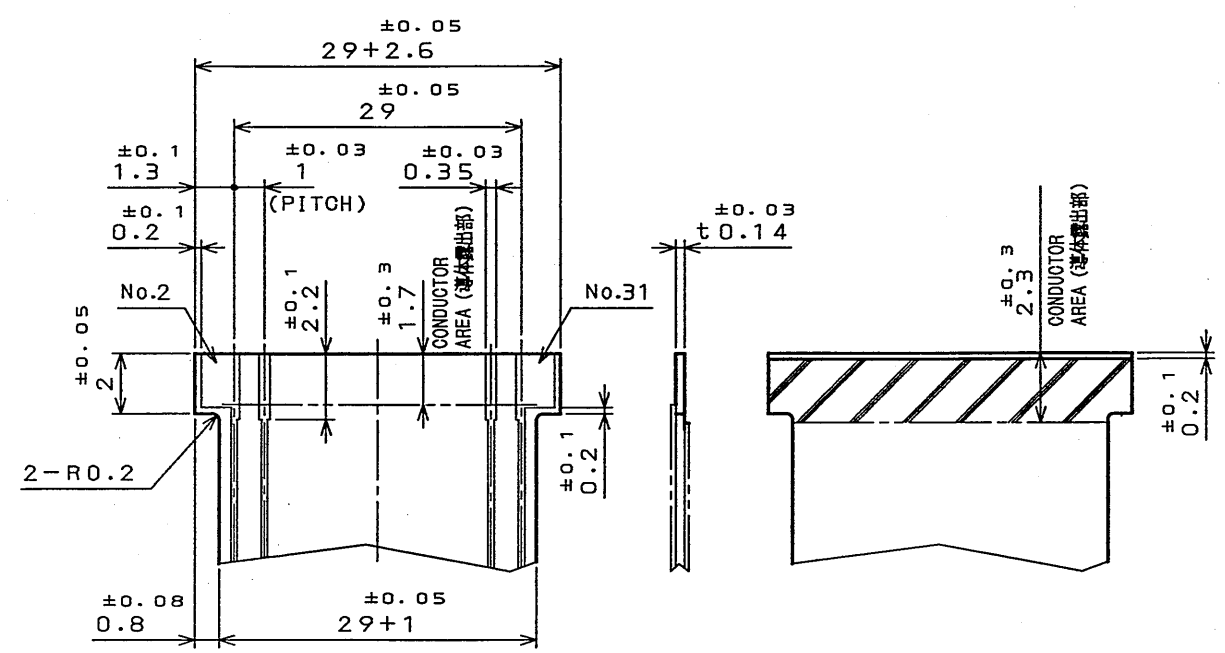
059001PS

('ON 0IMVRO)台接里図

版数 REV.	年月日 DATE	CON NO.	変更内容 DESCRIPTION	製図 DR.	担当 CHK.	査閲 APPD.	承認 APPD.



MATED CONDITION (REF.)
嵌合状態図 (参考)



SIGNAL AREA
(信号側)

GROUND AREA
(グラウンド側)

APPLICABLE FPC DIMENSIONS (REF.)
適合FPC寸法 (参考)

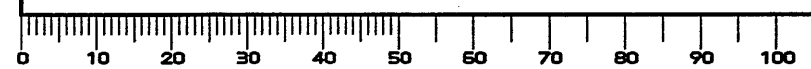
4	SHELL	1	COPPER ALLOY	TIN PLATING	
3	INSULATOR	1	GLASS FILLED 4-6Ny		UL94 V-0 BEIGE
2	GROUND PLATE	1	COPPER ALLOY	TIN PLATING	
1	CONTACT	30	COPPER ALLOY	GOLD (0.1 μm MIN) OVER NICKEL	MATING FPC AREA: (LEAD FREE) TIN/TIN ALLOY OVER NICKEL

符号 NO.	名称 DESCRIPTION	個数 QTY.	材料 MATERIAL	仕上 FINISH	備考 REMARKS
仕様書 (SPECIFICATION)					
第1版 (ORIGINAL DATE)		28.Jan.2004		縮尺 (SCALE) 5:1	
製図 DR.		H.SAKURADA		名称 (TITLE)	
担当 CHK.		T.YAMAJI		FI-X30M-NPB (FPC SIDE)	
査閲 APPD.		<i>M. Suzuki</i>		製造 (WEIGHT)	
承認 APPD.		<i>Y. Kobayashi</i>		重量 (WEIGHT)	
公差 (GENERAL TOLERANCE)				製図 (DRAWING NO.)	
寸法 (DIMENSION)		角度 (ANGLES)		JAE CONNECTOR.COM Reference Only	
. ±0.8		° ±		日本航空電子工業株式会社 JAPAN AVIATION ELECTRONICS INDUSTRY, LTD.	
.X ±0.4		°X ±		図面番号 (DRAWING NO.)	
.XX ±0.1				SJ100650	
.XXX ±				版数 (REV.)	

LEAD FREE この製品は鉛フリー品です

JAE CONNECTOR DIV. PROPRIETARY.
COPYRIGHT (C) 2004, JAPAN AVIATION ELECTRONICS INDUSTRY, LTD.

DOF-0-212E (03.08)



SIZE A3